

GENERAL INFORMATION

The present *spare parts* list enables one to order exactly the right spare parts.

When ordering specify:

- 1) the part's code number followed by its description;
- 2) the motorcycle's serial number, stamped on the steering head.

Reference to right and left apply to the vehicle in terms of its direction of movement.

VALIDIT

- f.m.** Until V.I.N.
- d.m.** From V.I.N.
- f.m.m.** Up to engine number
- d.m.m.** From engine number

- RED motorcycle
- ◆ GREY motorcycle
- BLACK motorcycle
- ▲ YELLOW motorcycle
- ▼ BLUE motorcycle

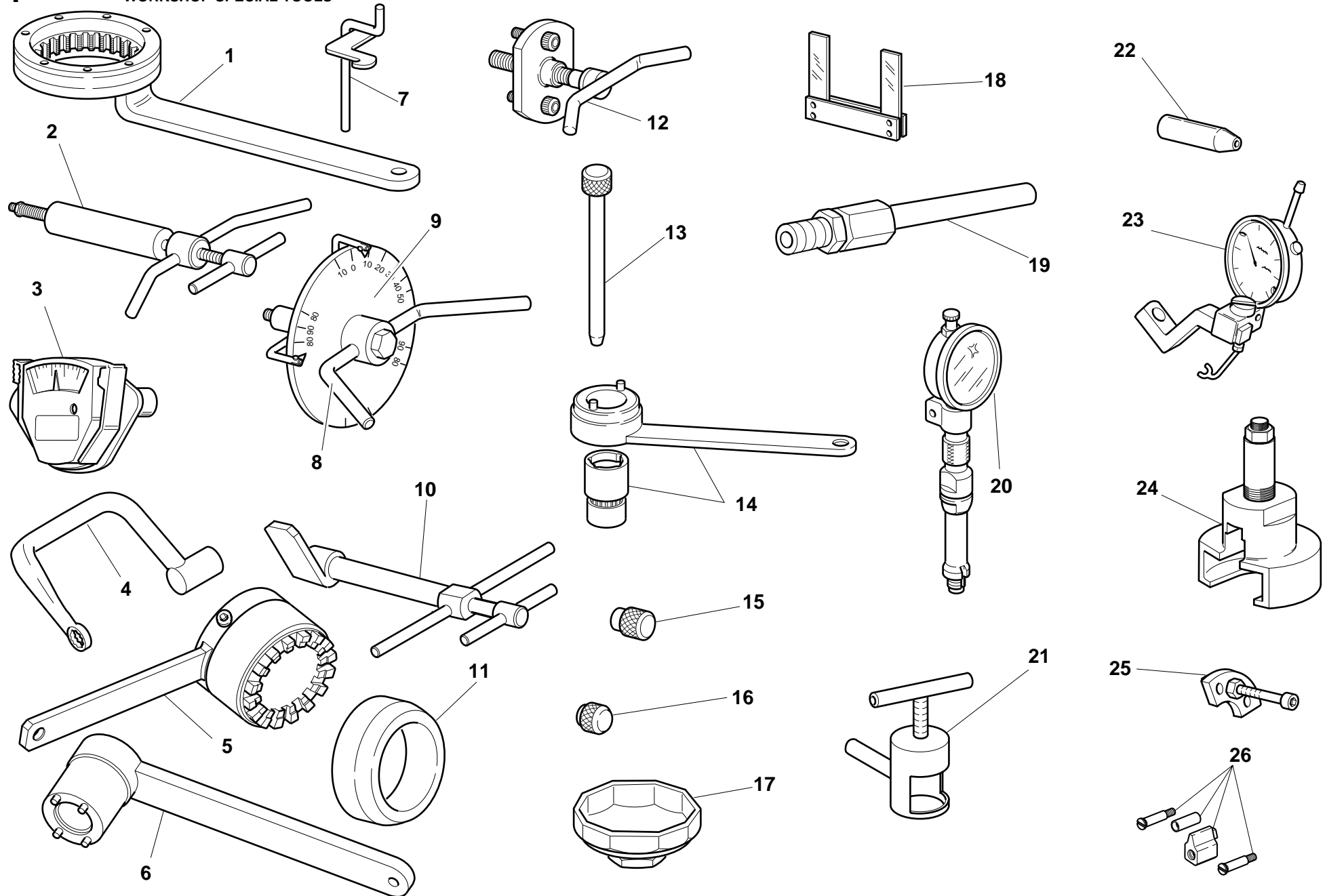
All data are subject to modification without prior notice.

DUCATI MOTOR S.p.A.
Uffici Commerciali Amministrativi:
Via A. Cavalieri Ducati n. 3
40132 Bologna, Italy
Telefono 39 51 6413111
Fax 39 51 406580
Internet www.ducati.com

CONTENS



5	001	WORKSHOP SPECIAL TOOLS
7	001.1	WORKSHOP SPECIAL TOOLS
9	001.2	DIAGNOSIS TESTER MATHESIS
11	002	GEARCHANGE
13	003	GEAR-BOX
15	004	CLUTCH
17	005	CLUTCH COVER
19	006	CRANKSHAFT
21	007	CYLINDERS - PISTONS
23	008	TIMING
25	009	FILTERS AND OIL PUMP
27	010	HALF CRANKCASES
29	011	ALTERNATOR COVER
31	012	ELECTRIC STARTER AND IGNITION
33	013	HEAD : TIMING
35	014	VERTICAL HEAD
37	015	HORIZONTAL HEAD
39	016	INLET DICT
41	017	STANDS
43	018	ELECTRIC SYSTEM
45	019	BATTERY BOX MOUNT
47	020	EXHAUST SYSTEM
49	021	INSTRUMENT PANEL
51	022	FRONT HEAD-LIGHT
53	023	PLATE HOLDER - REAR LIGHT
55	024	FORK
57	025	FRONT AND REAR WHEELS
59	026	HALF HANDLEBARS
61	027	CLUTCH CONTROL
63	028	FRONT BRAKE
65	029	REAR BRAKE
67	030	FRAME
69	031	GEARCHANGE LEVER - FOOT REST
71	032	REAR FORK
73	033	REAR SUSPENSION
75	034	AIR INDUCTION - OIL VENT
77	035	OIL COOLER
79	036	FUEL TANK
81	037	FUEL SYSTEM
83	038	SEAT
85	039	FUEL INFEED
87	040	MARKING PLATES

DRAWING 1 WORKSHOP SPECIAL TOOLS



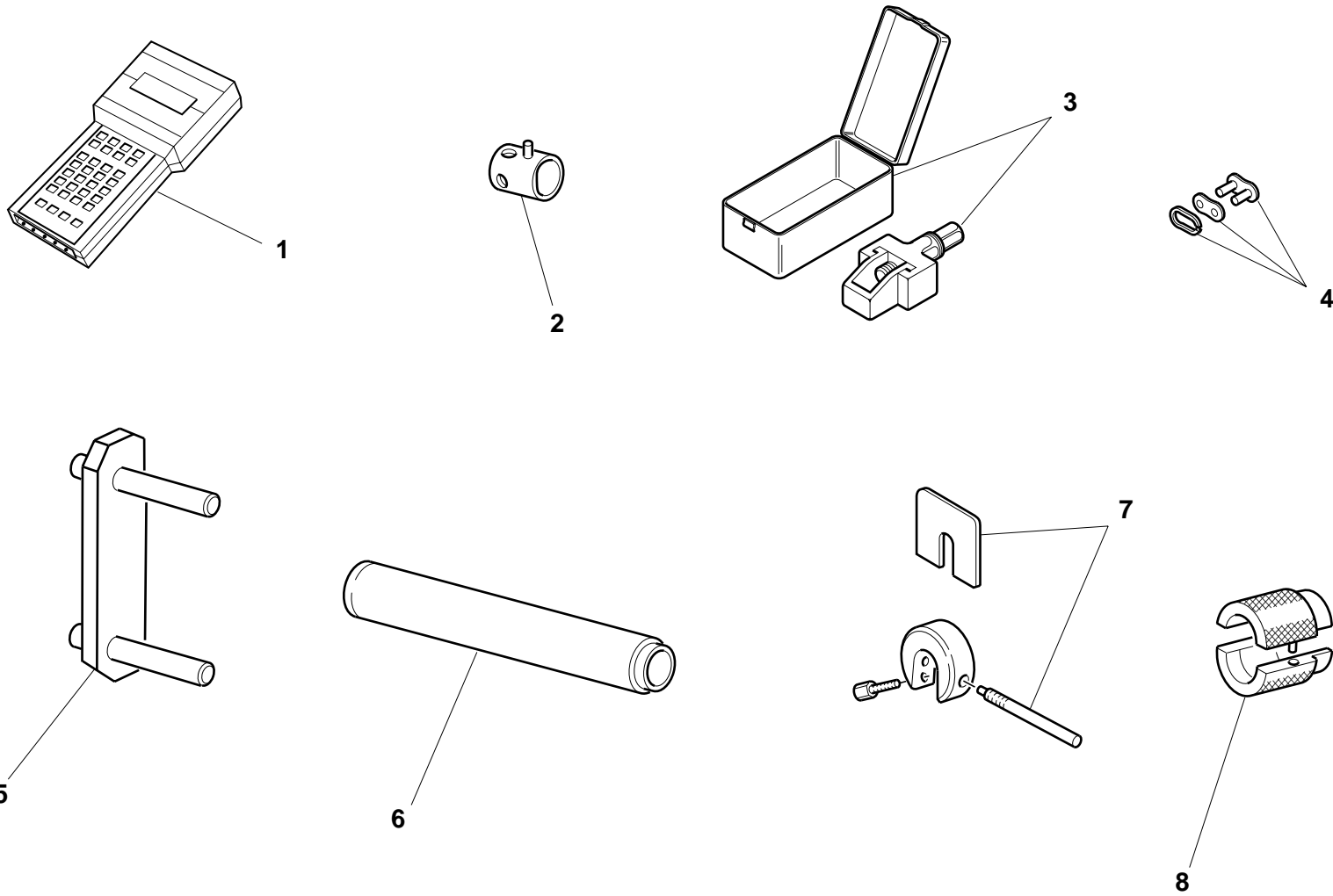
DRAWING 1

WORKSHOP SPECIAL TOOLS


NOTES	NO.	CODE NO.	DESCRIPTION	VALIDITY	Q.TY		NOTES	NO.	CODE NO.	DESCRIPTION	VALIDITY	Q.TY	
	1	88713.0146	Clutch drum holder wrench		1		18	88765.1006	Fork feeler gauge 0.3 mm			1	
	2	88713.0120	Rocker shaft extractor		1		19	88713.1010	Union for exhaust gas suction			1	
	3	051.2.001.1A	Torque wrench for timing belt		1		20	88765.0968	T.D.C. control gauge			1	
	4	88713.1139	Head nuts holder wrench		1		21	88713.1332	Extractor bushing bearing inner ring			1	
	5	88713.1419	Alternator holder wrench for tightening nut		1		22	88700.5749	Crankcases assembling cap			1	
	6	88713.0137	Crankshaft gear holder wrench for tightening nut		1		23	88765.1058	Valve lift gauge			1	
	7	88713.0143	Tool for assembling closing rocker and spring		1		24	88713.1502	Extractor for primary drive gear			1	
	8	98112.0002	Degree wheel		1		25	88713.1091	Plate for positioning gear engagement fork			1	
	9	88713.0123	Degree wheel holder tool for ignition advance check		1		26	88765.1086	Conversion kit for 4V belts tensioning tool			1	
	10	88713.1215	Tool to assemble the steering pipe bearings		1								
	11	88700.5665	Sleeve for installing clutch bell gear		1								
	12	88713.0144	Extractor for removal of chain/generator cover		1								
	13	88713.0262	Pin for assembling rocker arms		1								
	14	88700.5644	Timing belt rollers holder wrench		1								
	15	0000.44119	Spacer for checking lower valve shim		1								
	16	0000.44120	Spacer for checking lower valve shim		1								
	17	0675.03.210	Wrench for removing oil filter cartridge		1								
	18	88765.1000	Fork feeler gauge 0.1 mm		1								
	18	88765.1005	Fork feeler gauge 0.2 mm		1								

DRAWING **1.1**

WORKSHOP SPECIAL TOOLS



DRAWING **1.1****WORKSHOP SPECIAL TOOLS**

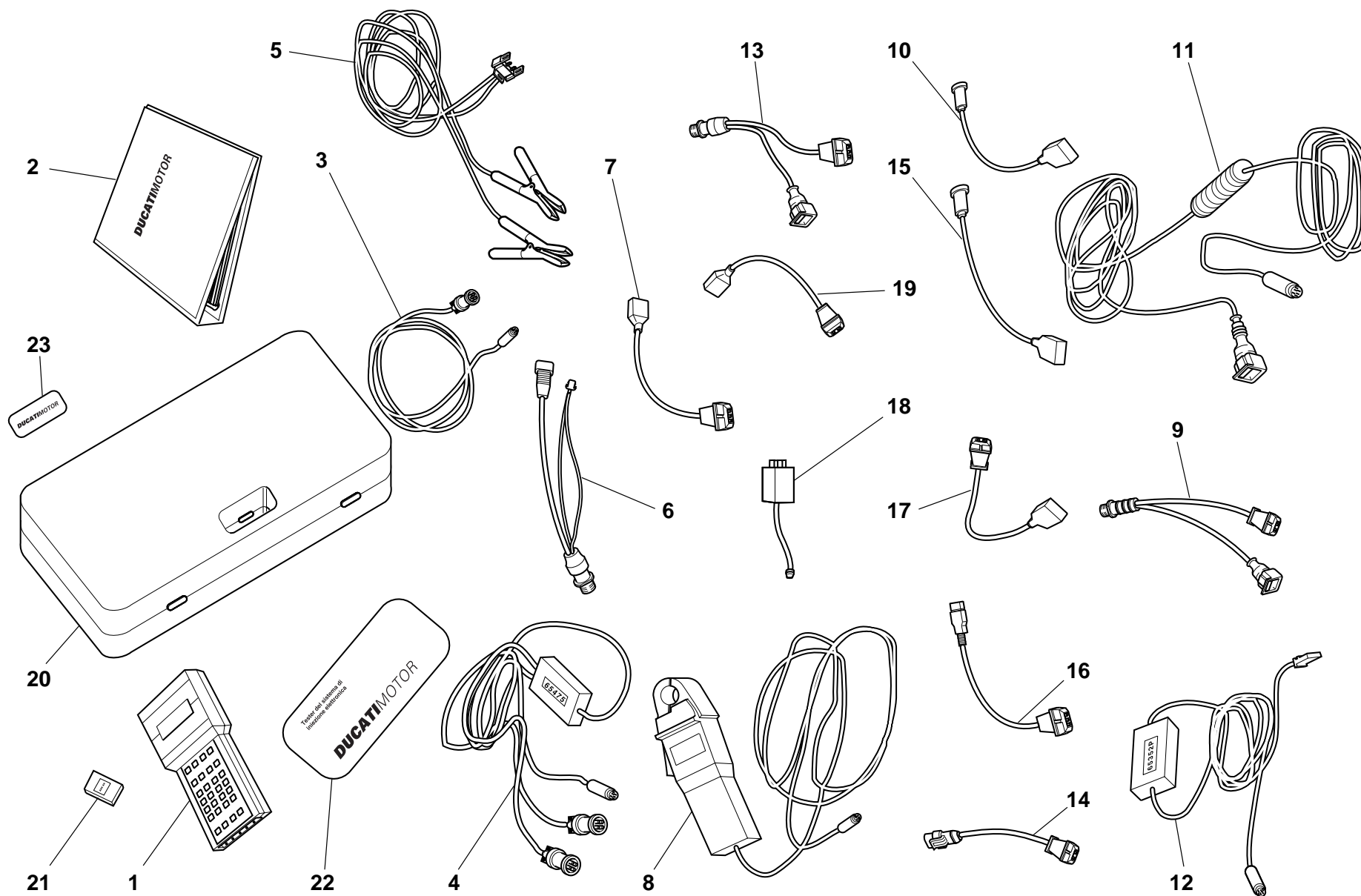
NOTES	NO.	CODE NO.	DESCRIPTION	VALIDITY	Q.TY	
	1	88765.1069	Check instrument		1	
	2	0000.70139	Wrench for front wheel spindle		1	
	3	88713.1344	Tool for assembling chain		1	
	4	677.4.002.1A	Coupling		1	
	5	88713.1515	Frame/engine mount		1	
	6	88713.1072	Stopper for driving the half bearing of the steering head base		1	
	7	88713.0957	Tool for holding SHOWA fork spacer		1	
	8	88713.1096	Tool for overhauling SHOWA forks - assembling seal ring		1	

NOTES	NO.	CODE NO.	DESCRIPTION	VALIDITY	Q.TY	
-------	-----	----------	-------------	----------	------	---

DRAWING


1.2


DIAGNOSIS TESTER MATHESIS



DRAWING **1.2**

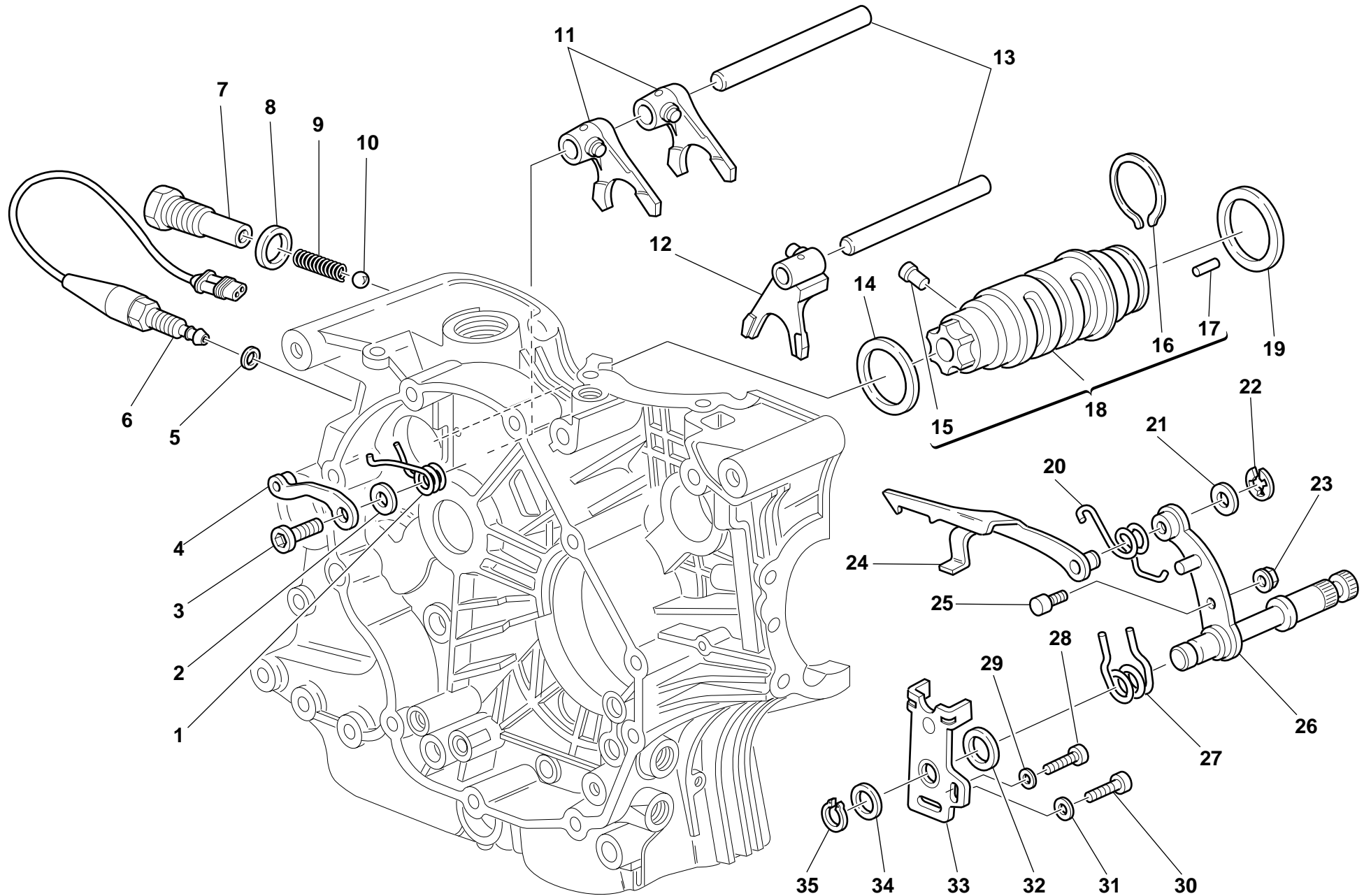
DIAGNOSIS TESTER MATHESIS

NOTES	NO.	CODE NO.	DESCRIPTION	VALIDITY	Q.TY	
	1	88765.1126Z	Bare Mathesis		1	
	2	914.7.023.1A	Italian manual		1	
	2	914.7.023.1C	German manual		1	
	2	914.7.023.1D	Franch manual		1	
	2	914.7.023.1E	Spanish manual		1	
	2	914.7.023.1B	English manual		1	
	3	88765.1126R	Main cable Mathesis		1	
	4	88765.1126A	Pickup Control cable		1	
	5	88765.1126Q	Battery mains cable		1	
	6	88765.1126	Mains cable adapter for self diagnosis		1	
	7	88765.1126N	Sensor for absolute pressure sampling		1	
	8	88765.1126V	Amperometer plier		1	
	9	88765.1126E	Adapter for 3 wires Pickup test cable		1	
	10	88765.1126P	Sensor for air temperature sampling		1	
	11	88765.1126C	Cable for potentiometer adjustment		1	
	12	88765.1126B	Test cable and speed indicator adjustment		1	
	13	88765.1126F	Adapter for 2 wires Pickup test cable		1	
	14	88765.1126D	Adapter for potentiometer adjustment		1	
	15	552.4.028.1A	Sensor for small throttle potentiometer sampling		1	
	16	88765.1126H	Sensor for throttle potentiomer sampling		1	

NOTES	NO.	CODE NO.	DESCRIPTION	VALIDITY	Q.TY	
	17	88765.1126G	Sensor for air/water temperature sampling		1	
	18	88765.1126M	Sfety remote switch		1	
	19	88765.1126L	2 Wires sampling Pickup sensor		1	
	20	88765.1126U	Case with sponge		1	
	21	88765.1074	English memory card		1	
	21	88765.1075	German memory card		1	
	21	88765.1073	Italian memory card		1	
	21	88765.1076	French memory card		1	
	21	88765.1077	Spanish memory card		1	
	22	88765.1126S	DUCATI sticker for case		1	
	23	88765.1126T	DUCATI sticker RH/LH side		1	



DRAWING 2

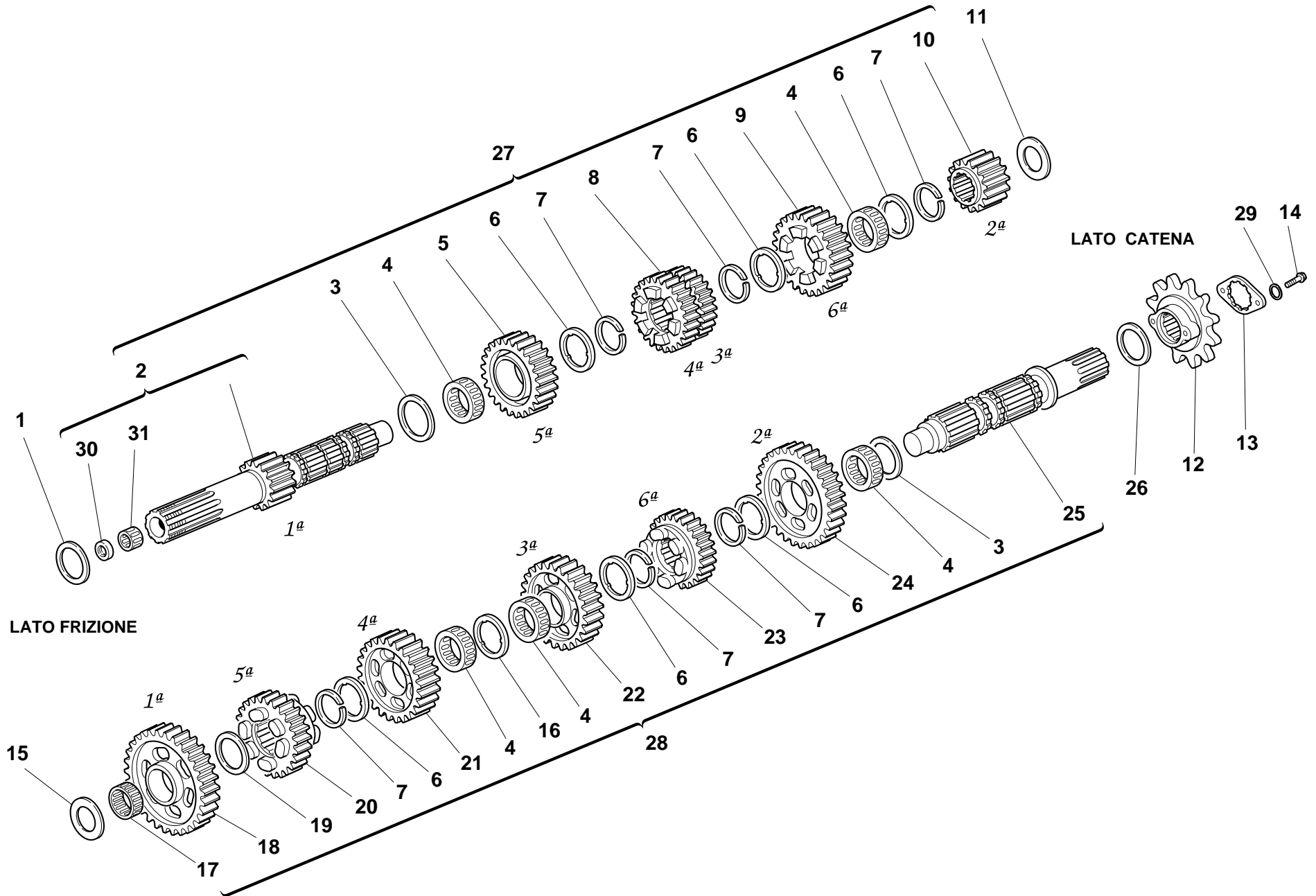
GEARCHANGE



DRAWING **2**

GEARCHANGE

NOTES	NO.	CODE NO.	DESCRIPTION	VALIDITY	Q.TY		NOTES	NO.	CODE NO.	DESCRIPTION	VALIDITY	Q.TY	
	1	799.1.049.1A	Return spring		1		21	0765.92.205	Shim th. 0.2			2	
	2	852.1.053.1A	Washer		1		22	0214.07.350	Ring			1	
	3	779.1.039.1A	Special screw		1		23	750.5.001.1A	Nut			1	
	4	455.2.003.1A	Gear stopper assembly		1		24	180.1.008.1A	Gearbox drum control fork			1	
	5	420.2.000.8A	Copper gasket		1		25	0660.13.165	Gearchange lever pin			1	
	5	0504.03.085	Gasket th.1,5		1		26	821.1.001.1A	Pin with gearchange lever			1	
	5	0150.92.280	Gasket th.2		1		27	0799.13.110	Gearchange lever return spring			1	
	5	852.1.111.1A	Gasket th.0.5		1		28	60N102509	Screw			1	
	6	539.4.020.1A	Switch		1		29	462.3.003.8A	Washer			1	
	7	0660.13.133	Push rod holder		1		30	771.5.122.2B	Screw			1	
	8	0272.91.090	Gasket		1		31	462.3.003.7A	Washer			1	
	9	0660.13.143	Gear selector spring		1		32	881.1.012.1A	Centering ring			1	
	10	76835.1134	Ball		1		33	826.1.009.1A	Stopper plate			1	
	11	180.1.001.1A	1st,4th-2nd,3rd gear selector fork		2		34	0400.29.126	Shim th. 0.5			1	
	12	180.1.002.1A	5th,6th gear selector fork		1		34	0400.29.125	Shim th. 0.2			2	
	13	0660.13.070	Fork pin		2		35	73500.1542	Circlip			1	
	14	852.1.005.1A	Shim th. 1		1								
	15	0660.13.045	Neutral light operating pin		1								
	16	882.1.006.1A	Needle retaining ring (square cross-section)		1								
	17	821.1.070.1A	Special roller (square cross-section)		6								
	18	182.2.006.2B	Complete gearbox drum		1								
	19	0660.13.060	Shim th. 1		1								
	19	852.1.094.1A	Shim th. 0.9		1								
	20	799.1.025.1A	Fork return spring		1								
	21	0400.09.050	Washer		1								




DRAWING **3**

GEAR-BOX

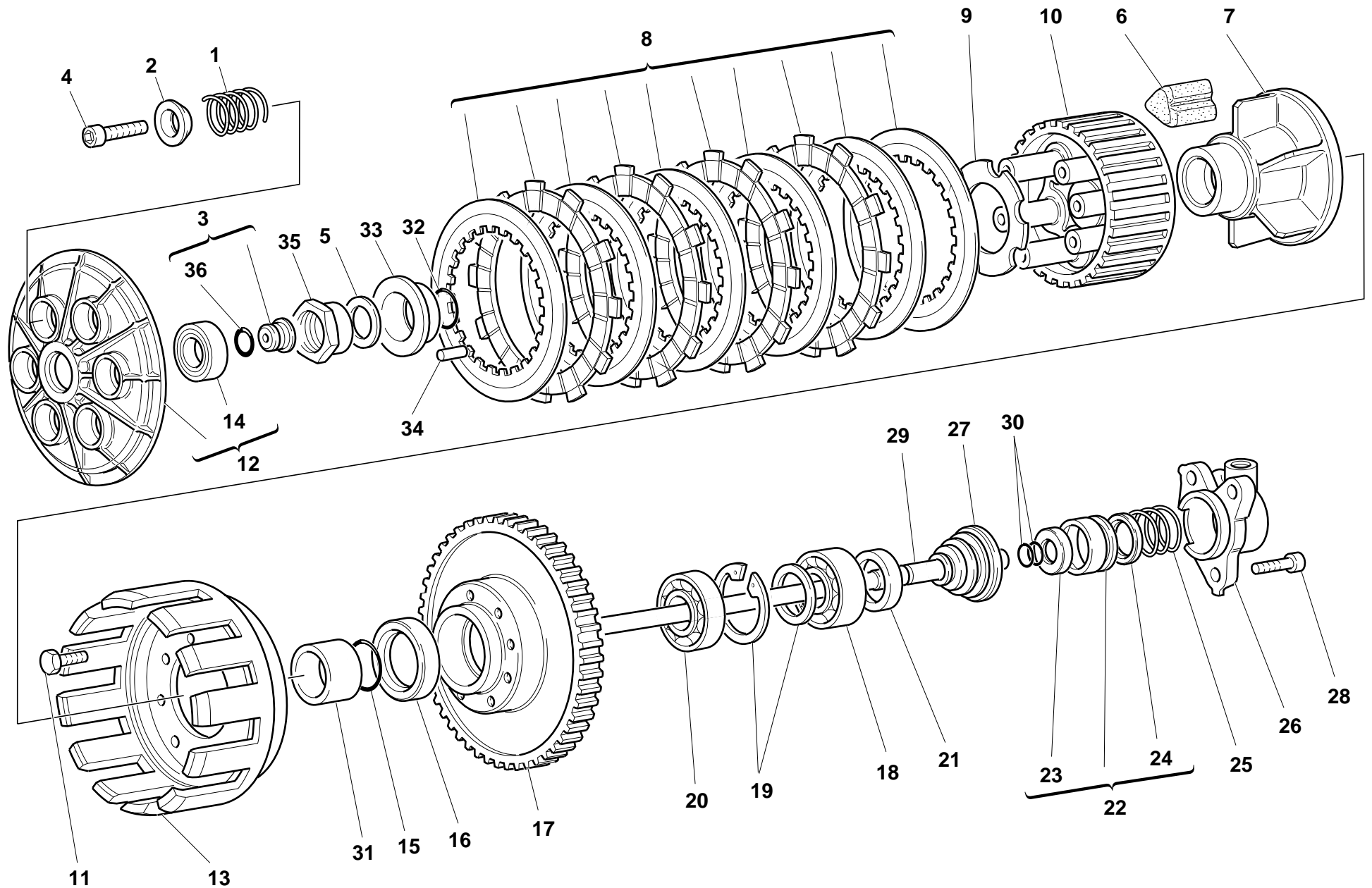
NOTES	NO.	CODE NO.	DESCRIPTION	VALIDITY	Q.TY	
	1	852.1.108.1AH	Shim th. 0.9		1	
	1	0251.47.050	Shim th. 1		1	
	1	852.1.108.1AL	Shim th. 1,1		1	
	1	0251.47.054	Shim th. 1.2		1	
	1	852.1.108.1AN	Shim th. 1,3		1	
	2	150.2.006.1A	Gearbox main shaft		1	
	3	0670.16.150	Shim th. 0.5		2	
	4	701.4.005.1A	Needle bearing		5	
	5	172.1.004.1C	Driving gear 5th sp.		1	
	6	856.1.001.1A	Grooved washer th. 0.5		6	
	7	0670.16.145	Snap ring		6	
	8	172.1.003.1C	Driving gear 3rd/4th sp.		1	
	9	172.1.005.1C	Driving gear 6th sp.		1	
	10	172.1.002.1B	Driving gear 2nd sp.		1	
	11	713.1.014.1A	Shim th. 1.5		1	
	11	713.1.014.1E	Shim th. 1.6		1	
	11	713.1.014.1B	Shim th. 1.7		1	
	11	0670.16.163	Shim th. 1.8		1	
	11	713.1.014.1F	Shim th. 1.9		1	
	11	0670.16.164	Shim th. 2		1	
	12	449.1.035.1A	Chain sprocket Z=15		1	
	13	826.1.011.1A	Sprocket keep plate		1	
	14	771.5.040.0C	Screw		2	
	15	0670.16.184	Shim th. 1		1	
	15	0670.16.185	Shim th. 1.2		1	
	15	713.1.014.1A	Shim th. 1.5		1	
	15	713.1.014.1E	Shim th. 1.6		1	

CATALOGUE No.: 915.1.053.1C
ISSUED: 11 - 99

NOTES	NO.	CODE NO.	DESCRIPTION	VALIDITY	Q.TY	
	15	0670.16.164	Shim th. 2		1	
	15	0670.16.165	Shim th. 2.2		1	
	15	713.1.011.1A	Spacer th. 2.3		1	
	16	856.1.031.1A	Grooved washer th. 0.5		1	
	17	76402.0002	Needle bearing		1	
	18	172.1.006.1B	Driven gear 1st sp.		1	
	19	0670.16.155	Shim th. 1		1	
	20	172.1.010.1C	Driven gear 5th sp.		1	
	21	172.1.009.1C	Driven gear 4th sp.		1	
	22	172.1.008.1C	Driven gear 3rd sp.		1	
	23	172.1.011.1C	Driven gear 6th sp.		1	
	24	172.1.007.1B	Driven gear 2nd sp.		1	
	25	149.1.024.1A	Gearbox lay shaft		1	
	26	852.1.105.1AG	Shim th. 0.7		1	
	26	0670.16.170	Shim th. 0.8		1	
	26	852.1.105.1AB	Shim th. 0.9		1	
	26	0670.16.171	Shim th. 1		1	
	26	852.1.105.1AD	Shim th. 1,1		1	
	27	150.2.047.1A	Complete main shaft		1	
	28	150.2.048.1A	Complete lay shaft		1	
	29	734005N01	Spring washer		2	
	30	93783.0812	Seal ring		1	
	31	76270.0827	Needle bearing		1	


CATALOGUE No.: 915.1.053.1C
ISSUED: 11 - 99

DRAWING 4 CLUTCH



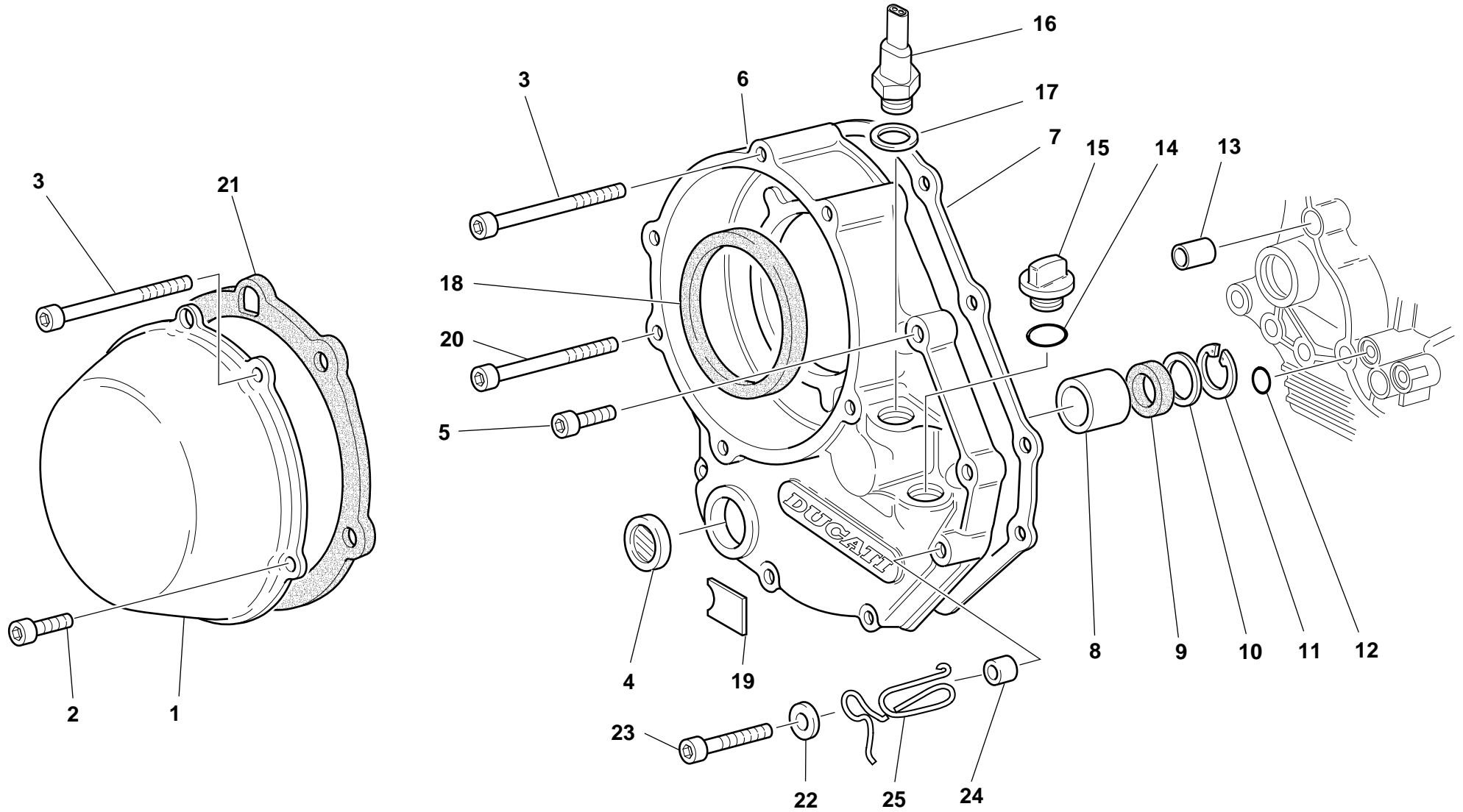
DRAWING **4** **CLUTCH**

NOTES	NO.	CODE NO.	DESCRIPTION	VALIDITY	Q.TY	
	1	0659.16.558	Clutch spring		6	
	2	841.1.002.2A	Retainer		6	
	3	818.2.009.1A	Clutch control pin		1	
	4	771.5.043.2B	Screw		6	
	5	851.4.001.1A	Lock washer		1	
	6	764.1.003.1B	Rubber pad		12	
	7	162.1.001.1B	Plate holder hub		1	
	8	190.2.001.3A	Clutch plates set		1	
	9	851.1.001.1B	Lock washer		1	
	10	196.1.001.1B	Clutch drum		1	
	11	70610.8120	Screw		8	
	12	194.2.001.2A	Pressure plate		1	
	13	198.1.027.1A	Clutch housing		1	
	14	702.5.016.1A	Bearing		1	
	15	463.2.053.7A	O-ring		1	
	16	463.4.026.9A	Seal ring		1	
	17	170.2.023.1A	Clutch/crankshaft gears pair		1	
	18	75113.2566	Bearing		1	
	19	881.2.001.1A	Circlip - spacer		1	
	20	463.7.022.6A	Bearing		1	
	21	0660.16.145	Spacer		1	
	22	195.2.002.1B	Piston assembly		1	
	23	930.4.009.1A	Seal ring		1	
	24	93785.0822	Seal ring		1	
	25	799.1.012.1A	Spring		1	
	26	236.1.010.3A	Clutch cap		1	
	27	672.1.006.1A	Rod protection cover		1	


NOTES	NO.	CODE NO.	DESCRIPTION	VALIDITY	Q.TY	
	28	60N107335	Screw		3	
	29	117.1.001.2A	Clutch control rod		1	
	30	93823.2018	O-ring		2	
	31	713.1.012.1B	Spacer		1	
	32	93823.0128	O-ring		1	
	33	710.1.002.1A	Bush		1	
	34	74224.0570	Pin		1	
	35	750.1.002.1B	Nut		1	
	36	0400.17.030	O-ring		1	

DRAWING 5

CLUTCH COVER

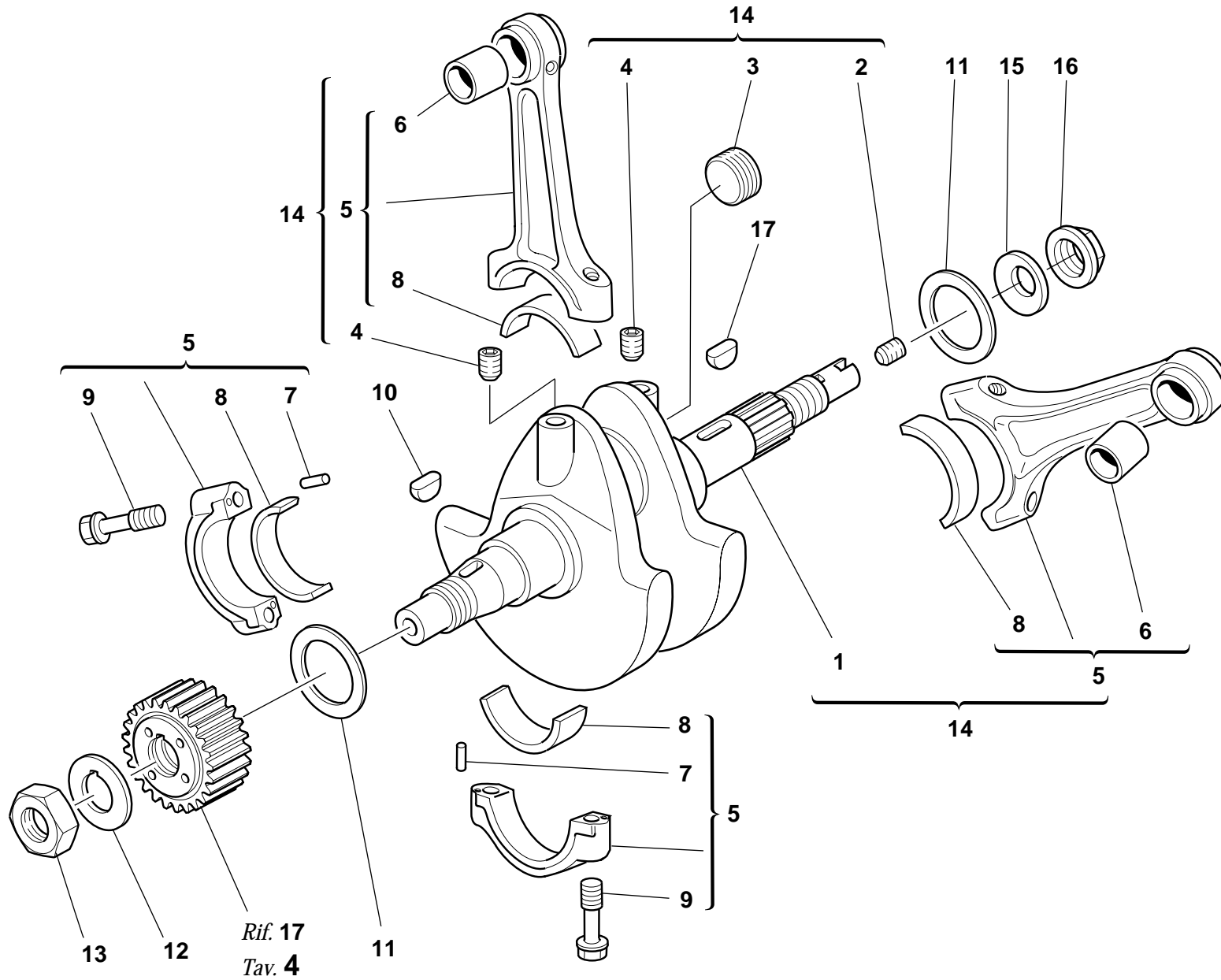


DRAWING **5** **CLUTCH COVER**


NOTES	NO.	CODE NO.	DESCRIPTION	VALIDITY	Q.TY	
	1	243.1.025.1AC	Clutch protection cover		1	
	2	60N102509	Screw		2	
	3	417.6.075.9A	Screw		3	
	4	254.4.001.1A	Oil level inspection cap		1	
	5	60N102510	Screw		5	
	6	243.2.004.1B	Cover clutch side (GREY)		1	
	7	788.1.055.1A	Clutch cover gasket		1	
	8	0665.49.680	Bush		1	
	9	93784.2030	Seal ring		1	
	10	852.1.008.1A	Shim th. 0.5		1	
	11	73503.3075	Circlip		1	
	12	93827.0114	O-ring		1	
	13	0400.49.240	Locating bush		1	
	14	93823.2082	O-ring		1	
	15	893.1.005.1A	Cap		1	
	16	539.4.019.1A	Switch		1	
	17	0150.70.120	Gasket		1	
	18	463.4.047.7A	Ring		1	
	19	433.1.028.1C	Oil level plate		1	
	20	771.5.078.2B	Screw		1	
	21	788.1.052.1A	Cover gasket		1	
	22	734306N01	Washer		1	
	23	771.5.072.2B	Screw		1	
	24	0675.49.540	Spacer		1	
	25	881.1.030.1A	Holder		1	

NOTES	NO.	CODE NO.	DESCRIPTION	VALIDITY	Q.TY	
-------	-----	----------	-------------	----------	------	---

CRANKSHAFT

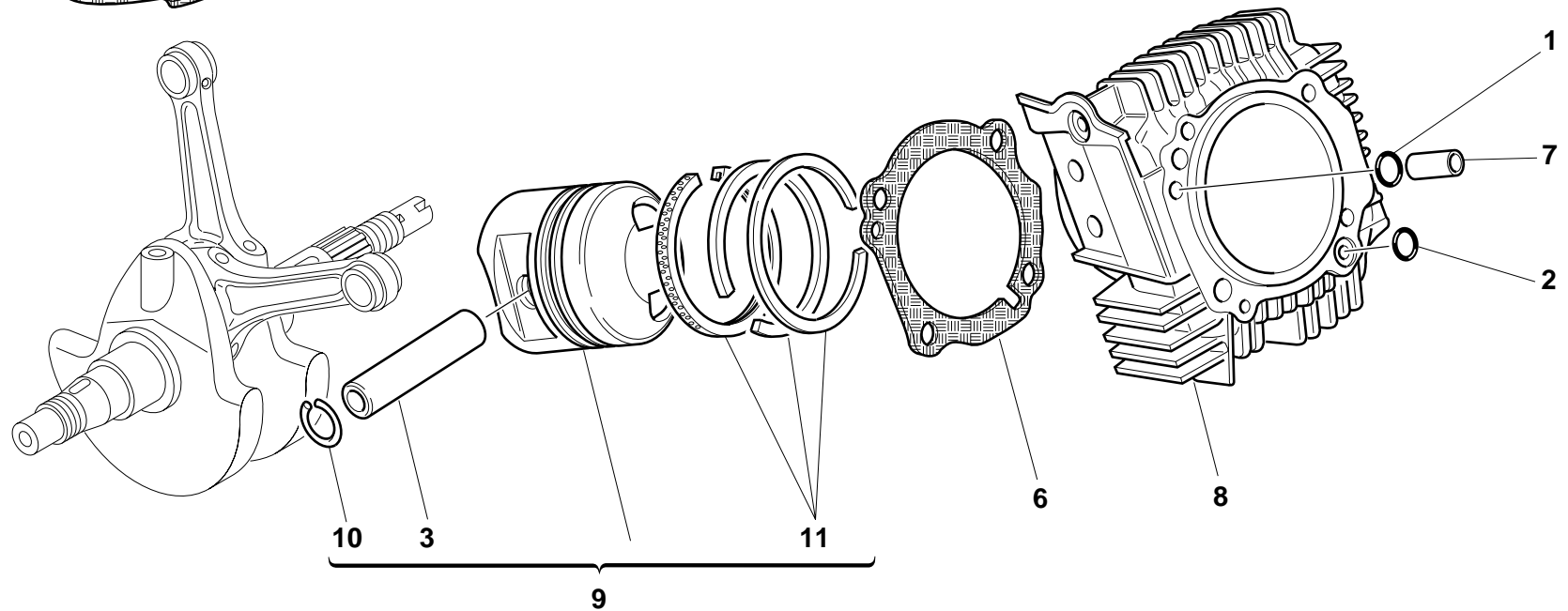
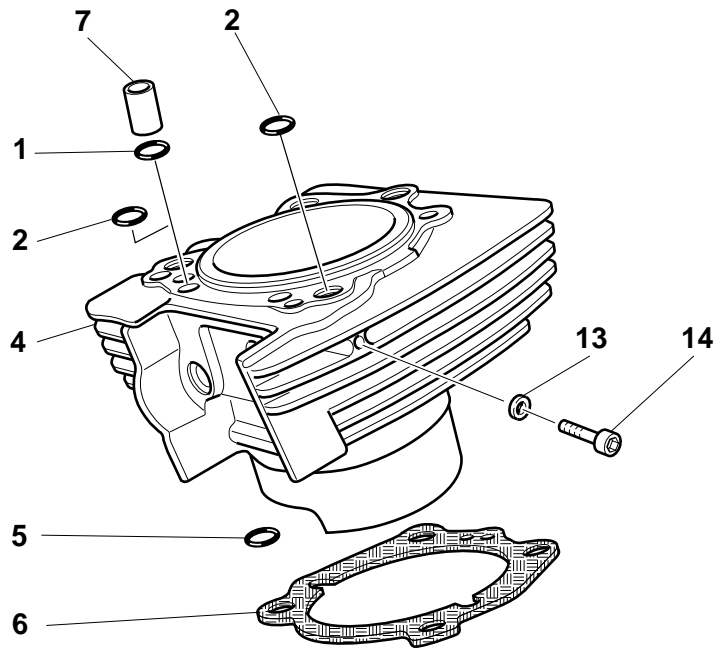


DRAWING **6** **CRANKSHAFT**

NOTES	NO.	CODE NO.	DESCRIPTION	VALIDITY	Q.TY	
	1	146.2.061.1A	Crankshaft (items 2-3-4 included)		1	
	2	779.1.109.1A	Special screw		1	
	3	780.1.016.1A	Cap		1	
	4	72121.2106	Threaded dowel		2	
	5	158.2.002.2A	Connecting rods pair (6-7-8 included)		1	
	6	711.1.007.1A	Bush		2	
	7	74224.0570	Pin		4	
	8	112.1.001.1A	Standard half-bearing		4	
	8	112.1.001.1AB	Undersize half-bearing 0.25		4	
	8	112.1.001.1AC	Undersize half-bearing 0.50		4	
	9	779.1.007.2A	Special screw		4	
	10	74172.1008	Woodruff key		1	
	11	852.1.100.1A	Shim th. 0.3		2	
	11	852.1.076.2A	Shim th. 0.35		1	
	11	852.1.077.2A	Shim th. 0.4		1	
	11	852.1.101.1A	Shim th. 0.5		1	
	11	852.1.078.2A	Shim th. 0.6		1	
	11	852.1.112.1A	Shim th. 0.7		1	
	12	0619.47.030	Lock washer		1	
	13	0660.47.040	Nut		1	
	14	145.2.034.1A	Complete connecting rods assembly		1	
	15	799.1.051.2A	Spring washer		1	
	16	750.1.012.2A	Nut		1	
	17	0755.29.025	Woodruff key		1	

NOTES	NO.	CODE NO.	DESCRIPTION	VALIDITY	Q.TY	
-------	-----	----------	-------------	----------	------	---

DRAWING **7** CYLINDERS - PISTONS




12

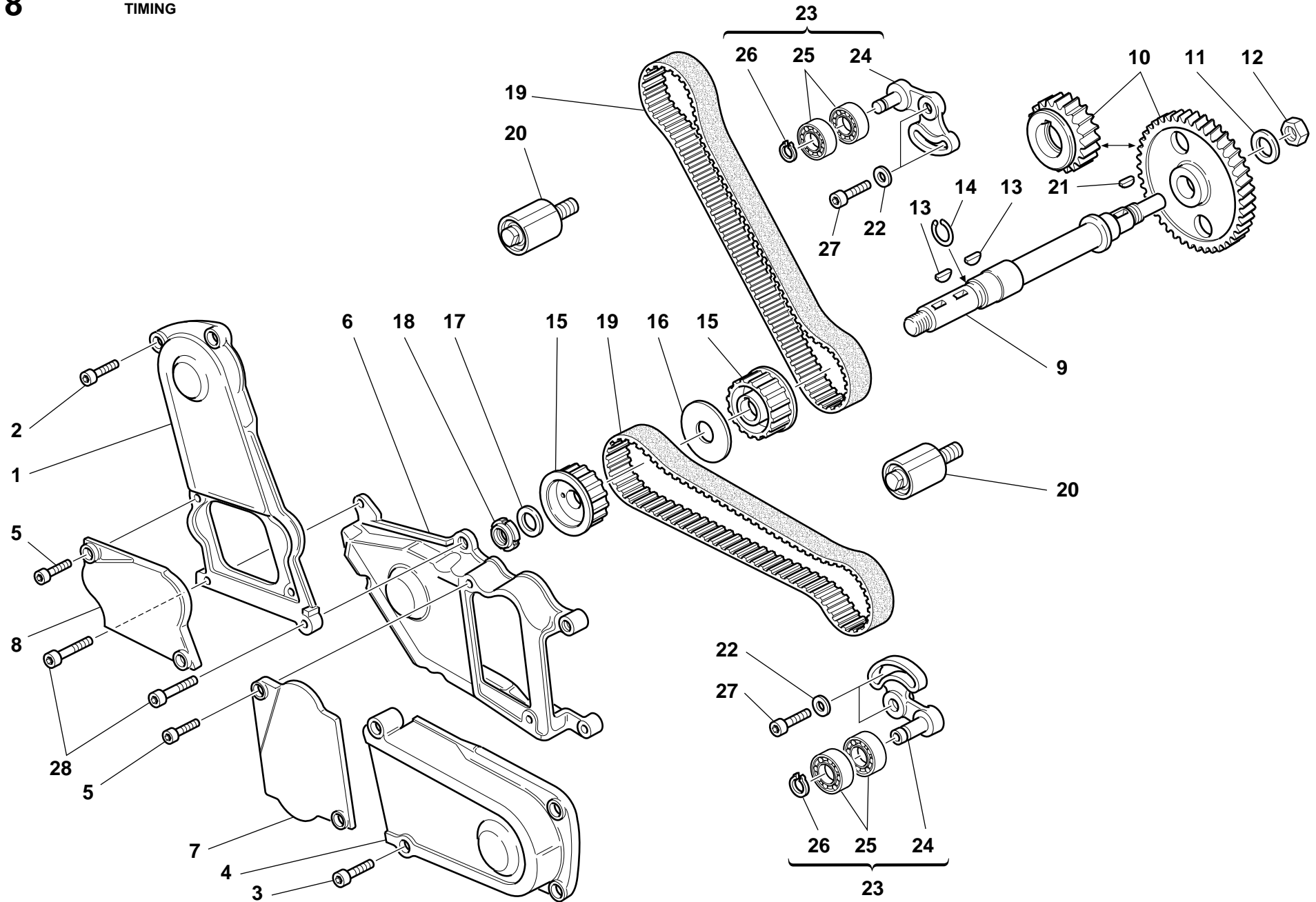
DUCATI	
GENUINE PARTS	
	Part - code N.
	Quantity N.
	Made in Italy

DRAWING **7**


CYLINDERS - PISTONS


NOTES	NO.	CODE NO.	DESCRIPTION	VALIDITY	Q.TY	
	1	0400.17.030	O-ring		2	
	2	463.2.019.6A	O-ring		3	
	3	121.1.040.1A	Piston pin		2	
	4	120.2.051.1A	Vertical cylinder-piston fit		1	
	5	93823.2037	O-ring		1	
	6	786.1.047.1A	Cylinder-crankcase gasket th. 0.4		2	
	7	0805.17.125	Bush		2	
	8	120.2.052.1A	Horizontal cylinder-piston fit		1	
	9	122.2.050.1B	Complete piston		2	
	10	884.4.011.1A	Piston pin circlip		4	
	11	121.2.029.1B	Piston rings set		2	
	12	791.2.003.1A	Head-cylinder gaskets set		1	
	13	420.2.000.7A	Copper gasket		2	
	14	70700.6208	Screw		2	

NOTES	NO.	CODE NO.	DESCRIPTION	VALIDITY	Q.TY	
-------	-----	----------	-------------	----------	------	---



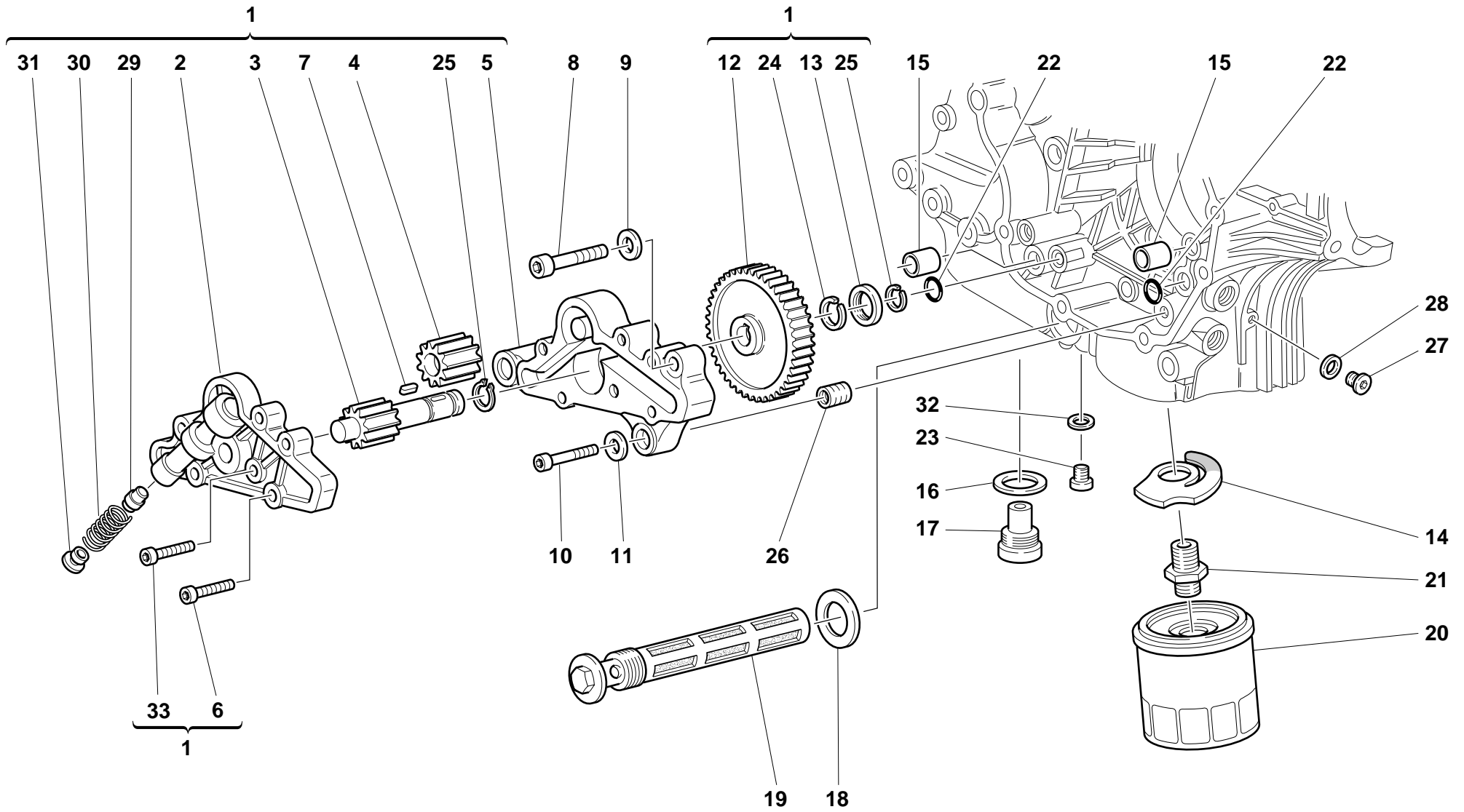
DRAWING **8** **TIMING**

NOTES	NO.	CODE NO.	DESCRIPTION	VALIDITY	Q.TY	
	1	245.1.007.1AB	Vertical timing belt cover (GREY)		1	
	2	60N102505	Screw		4	
	3	60N102509	Screw		2	
	4	245.1.008.1AB	Horizontal timing belt cover (GREY)		1	
	5	771.5.040.2B	Screw		4	
	6	245.1.006.1AB	Central cover (GREY)		1	
	7	245.1.010.1AB	Horizontal tensioner roller cover (GREY)		1	
	8	245.1.009.1AB	Vertical tensioner roller cover (GREY)		1	
	9	147.1.015.1A	Lay shaft		1	
	10	171.2.013.1B	Timing gears pair		1	
	11	0400.29.040	Lock washer		1	
	12	0124.40.060	Hexagon nut		1	
	13	74172.1008	Woodruff key		2	
	14	882.1.003.1A	Snap ring		1	
	15	255.1.001.1B	Timing belt roller		2	
	16	856.1.002.1A	Belt roller separating washer		1	
	17	0797.69.040	Washer		1	
	18	72944.1542	Elastic-stop ring nut		1	
	19	737.4.002.1A	Timing drive toothed belt		2	
	20	0370.29.350	Fixed tensioner assembly		2	
	21	0755.29.025	Woodruff key		1	
	22	462.3.003.7A	Washer		4	
	23	451.2.001.1A	Complete movable tensioner roller		2	

NOTES	NO.	CODE NO.	DESCRIPTION	VALIDITY	Q.TY	
	24	451.1.005.2A	Bare tensioner roller		2	
	25	75166.1238	Bearing		4	
	26	0214.07.350	Ring		2	
	27	771.5.122.2B	Screw		4	
	28	60N102510	Screw		3	

DRAWING 9


FILTERS AND OIL PUMP



DRAWING **9**

FILTERS AND OIL PUMP

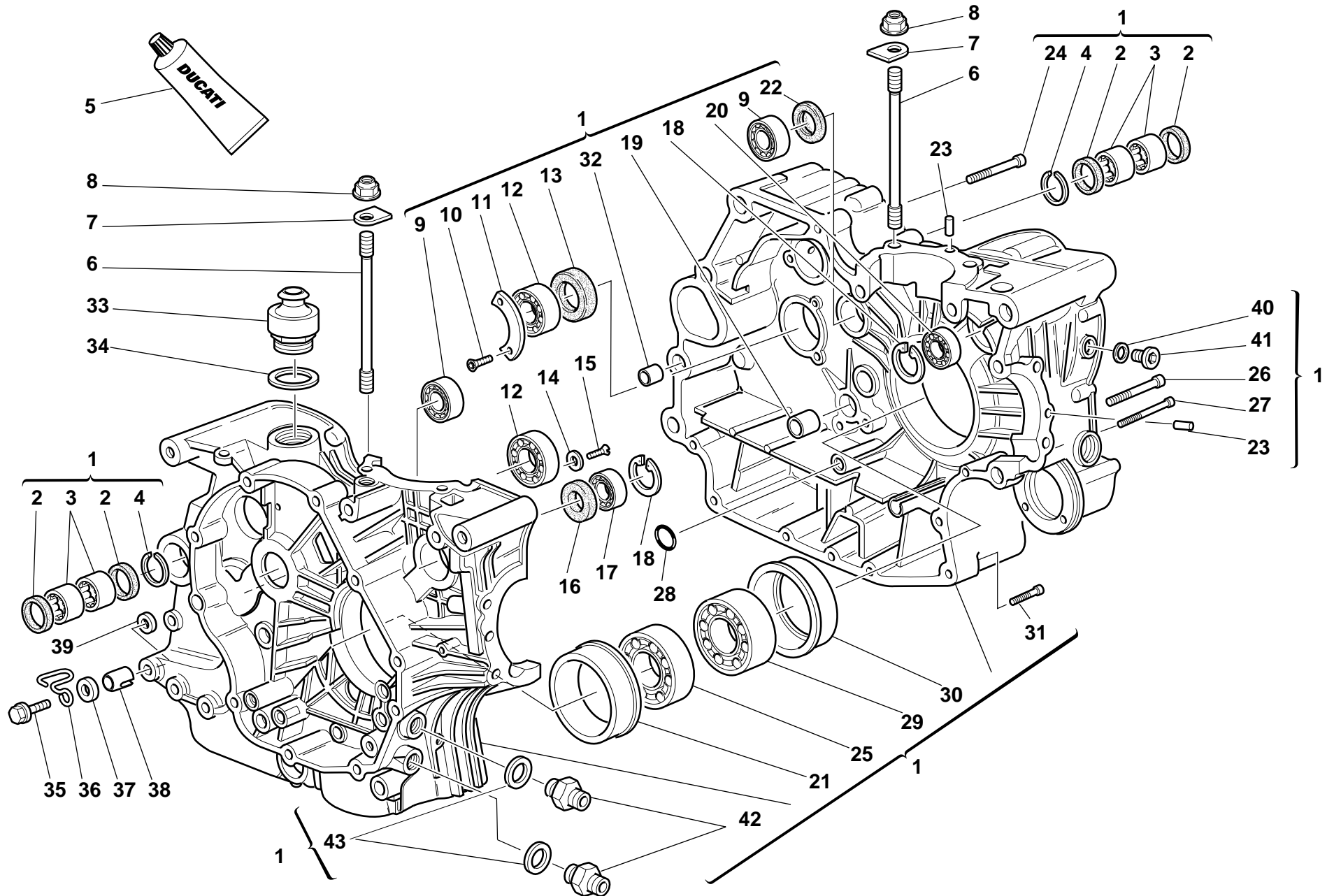
NOTES	NO.	CODE NO.	DESCRIPTION	VALIDITY	Q.TY	
	1	174.2.016.2A	Complete oil pump		1	
	2	247.1.104.1A	Pump cover		1	
	3	174.1.002.1A	Pump driving gear		1	
	4	0660.70.065	Pump driven gear		1	
	5	250.2.030.2A	Pump body		1	
	6	779.5.001.1A	Screw		3	
	7	680.1.001.1B	Woodruff key		1	
	8	771.5.129.2B	Screw		2	
	9	462.4.037.8A	Spring washer		2	
	10	60N102510	Screw		1	
	11	462.4.037.6A	Spring washer		1	
	12	174.1.004.1A	Pump drive gear		1	
	13	710.1.001.1A	Bush		1	
	14	799.2.077.1A	Bypass spring		1	
	15	0759.49.280	Locating bush		2	
	16	220.3.208.3A	Gasket		1	
	17	0660.49.053	Oil drain plug with magnet		1	
	18	787.1.009.1A	Gasket		1	
	19	0660.49.800	Oil filter		1	
	20	0905.49.960	Oil filter cartridge		1	
	21	0670.49.910	Nipple		1	
	22	93827.0114	O-ring		2	
	23	779.1.026.1A	Screw		1	
	24	76267.0012	Snap ring		1	
	25	73500.1237	Circlip		2	
	26	0670.49.310	Reduction bush		1	
	27	779.1.162.1A	Cap		1	

NOTES	NO.	CODE NO.	DESCRIPTION	VALIDITY	Q.TY	
	28	0150.70.120	Gasket		1	
	29	593.1.018.1A	Bypass valve		1	
	30	799.1.055.1A	Bypass spring		1	
	31	780.1.006.1A	Bypass cap		1	
	32	420.2.006.4A	Aluminium gasket		2	
	33	779.5.005.1A	Screw		3	


DRAWING

10


HALF CRANKCASES



DRAWING **10** HALF CRANKCASES

NOTES	NO.	CODE NO.	DESCRIPTION	VALIDITY	Q.TY	
	1	225.2.039.3B	Complete half-crankcases pair		1	
	2	0755.49.265	Seal ring		4	
	3	76400.0004	Needle bearing		4	
	4	76266.2668	Snap ring		2	
	5	94247.0014	Fluid sealant		1	
	6	766.1.001.2B	Stud bolt for fastening head cylinder		8	
	7	856.1.024.1A	Special washer		8	
	8	0670.92.010	Nut		8	
	9	75791.1747	Bearing		2	
	10	72094.1616	Screw		2	
	11	826.1.003.1A	Keep plate		1	
	12	702.5.017.1A	Bearing		2	
	13	93783.2552	Seal ring		1	
	14	713.1.140.1A	Spacer		2	
	15	60N101079	Screw		2	
	16	93785.1830	Seal ring		1	
	17	75794.1542	Bearing		1	
	18	73503.3380	Circlip		2	
	19	77499.3421	Gearbox pin bush		1	
	20	702.5.008.1A	Bearing		1	
	21	710.1.005.2A	Bearing holder bush		1	
	22	0370.49.250	Washer		1	
	23	0011.52.010	Locating dowel		2	
	24	771.5.136.2B	Screw		3	
	25	75143.3380	Bearing		1	
	26	417.6.082.9A	Screw		4	

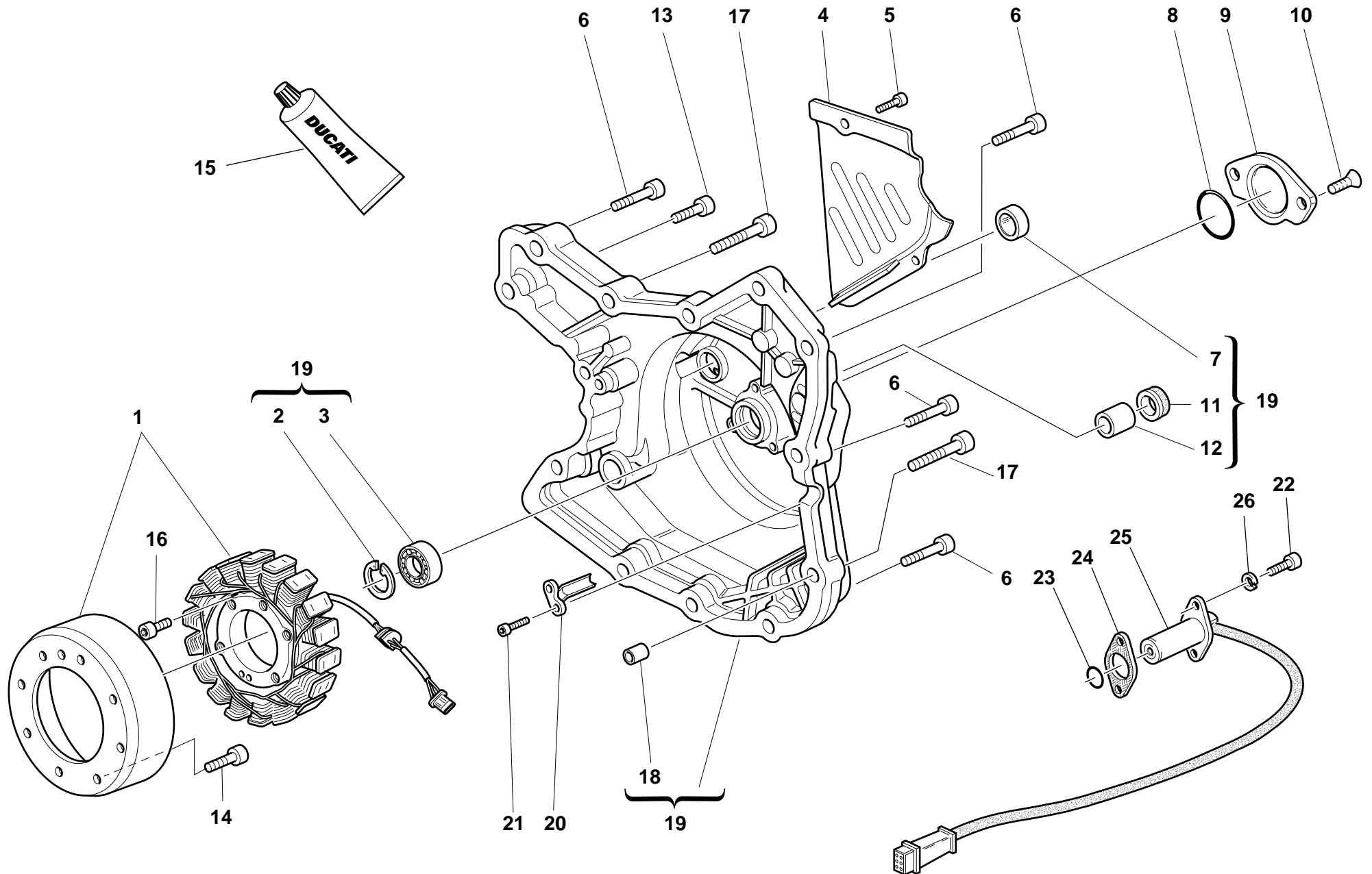
CATALOGUE No.: 915.1.053.1C
ISSUED: 11 - 99

NOTES	NO.	CODE NO.	DESCRIPTION	VALIDITY	Q.TY	
	27	771.5.080.2B	Screw		2	
	28	93827.0114	O-ring		1	
	29	75191.3380	Bearing		1	
	31	771.5.072.2B	Screw		7	
	32	711.1.006.1A	Bush		2	
	33	593.1.003.1B	Breather valve		1	
	34	0660.49.920	Gasket		1	
	35	8000.62729	Screw		1	
	36	829.1.124.2A	Ring		1	
	37	734306N01	Washer		1	
	38	710.1.032.1A	Bush		1	
	39	711.1.072.1A	Bush		1	
	40	420.2.006.2A	Aluminium gasket		1	
	41	779.1.026.1A	Screw		1	
	42	815.1.005.1A	Nipple		2	
	43	420.2.006.4A	Aluminium gasket		2	

CATALOGUE No.: 915.1.053.1C
ISSUED: 11 - 99

DRAWING 11


ALTERNATOR COVER



DRAWING **11**

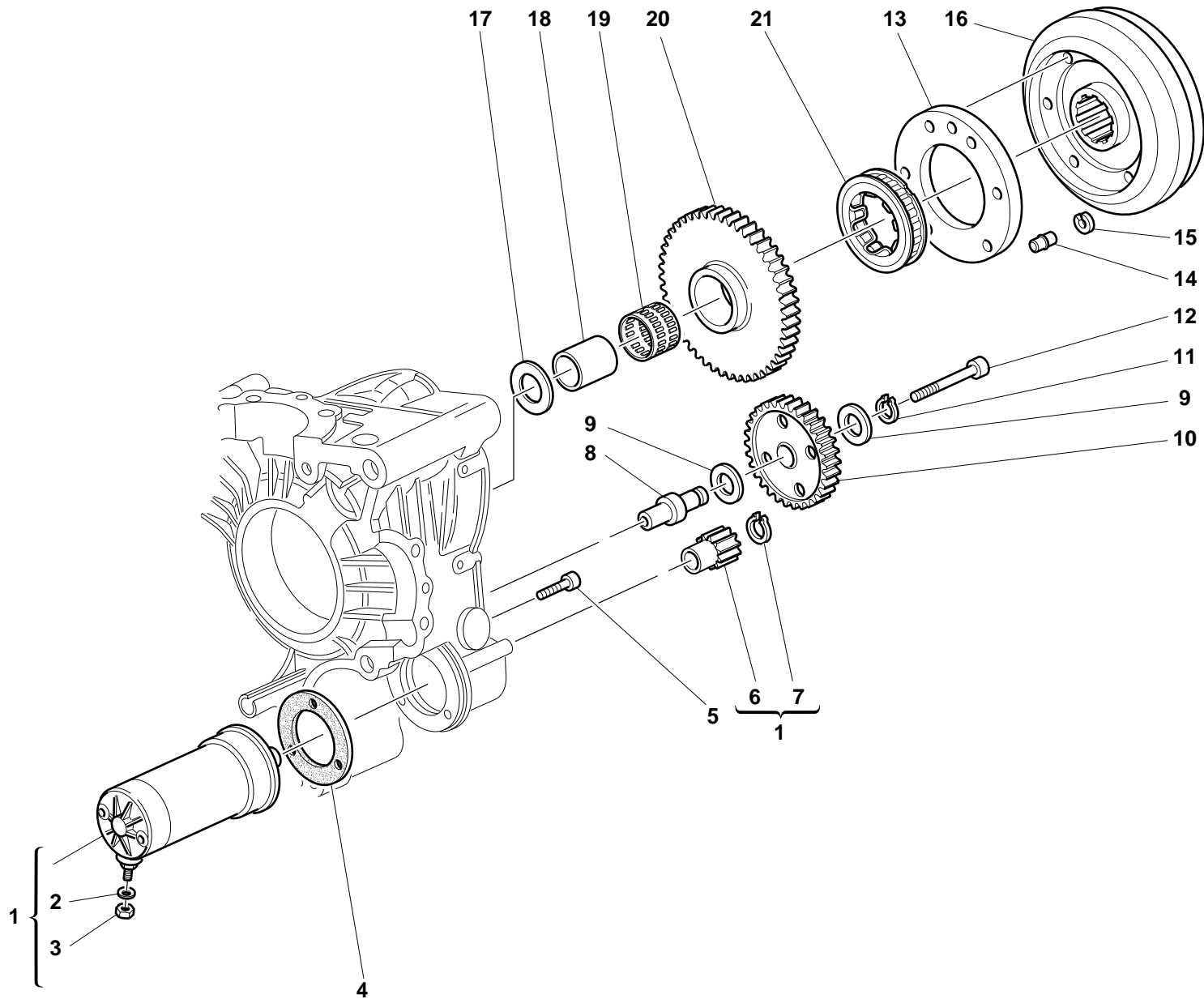
ALTERNATOR COVER

NOTES	NO.	CODE NO.	DESCRIPTION	VALIDITY	Q.TY	
	1	264.4.014.2B	Generator		1	
	2	73503.3380	Circlip		1	
	3	702.5.008.1A	Bearing		1	
	4	247.1.083.1AB	Chain cover		1	
	5	771.5.064.2B	Screw		2	
	6	60N102510	Screw		9	
	7	254.1.001.1A	Ignition inspection cap		1	
	8	93823.2131	O-ring		1	
	9	247.1.002.1BB	Cover		1	
	10	777.5.049.2C	Screw		2	
	11	93783.1524	Seal ring		1	
	12	77499.3421	Gearbox pin bush		1	
	13	60N102509	Screw		1	
	14	771.4.006.1A	Screw		1	
	15	94247.0014	Fluid sealant		1	
	16	771.5.073.2B	Screw		1	
	17	60N102511	Screw		2	
	18	0400.49.240	Locating bush		2	
	19	242.2.033.1AB	Generator cover		1	
	20	830.1.144.1A	Bracket		1	
	21	771.5.040.2B	Screw		2	
	22	70620.5212	Screw		1	
	23	93823.2056	O-ring		1	
	24	788.1.003.1B	Gasket th.0.5		1	
	24	788.1.012.1A	Gasket th.0.3		1	
	24	788.1.013.1A	Gasket th.02		1	
	25	552.4.009.1A	Sensor		1	


NOTES	NO.	CODE NO.	DESCRIPTION	VALIDITY	Q.TY	
	26	734005N01	Spring washer		1	

DRAWING 12

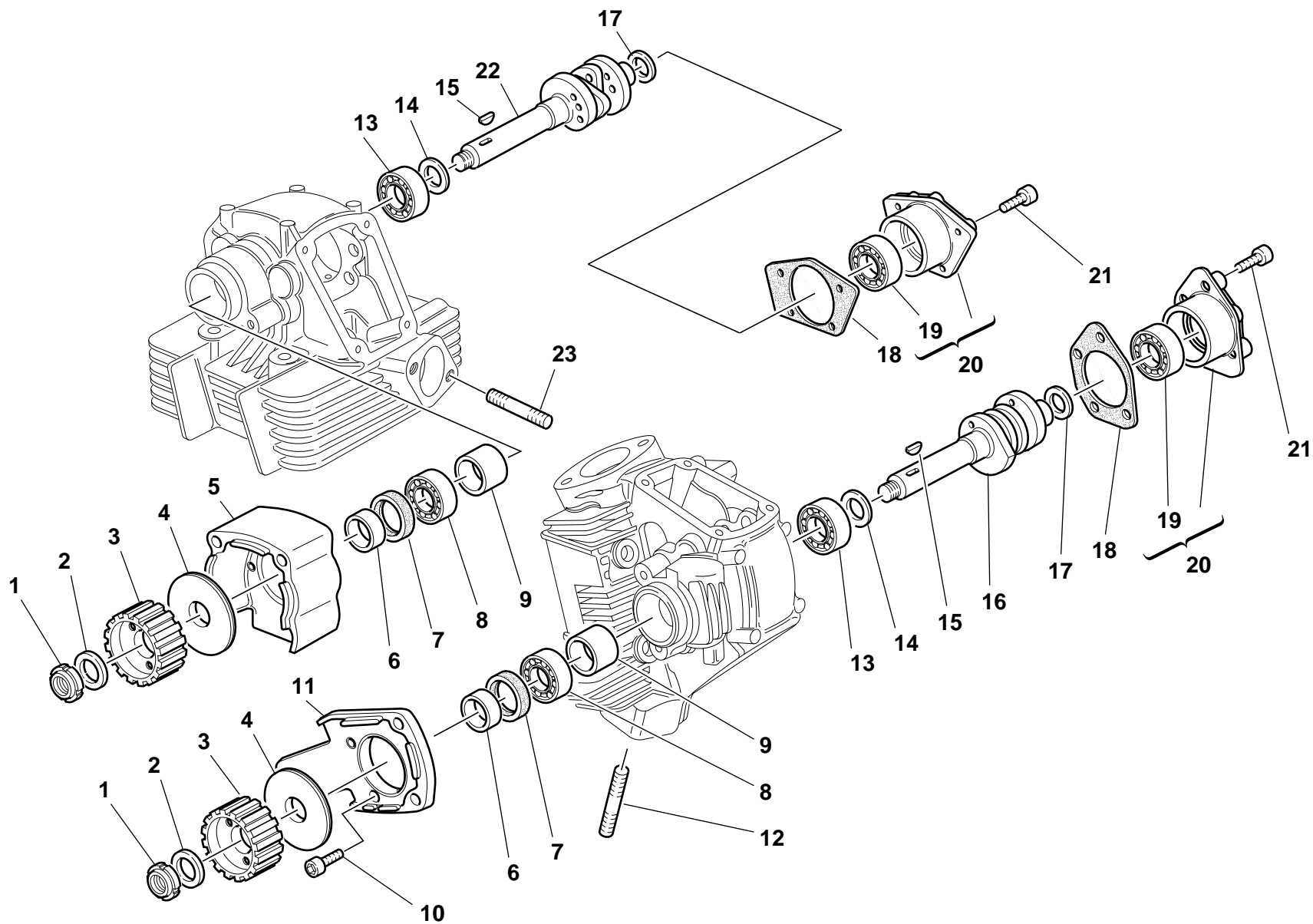
ELECTRIC STARTER AND IGNITION




DRAWING **12** **ELECTRIC STARTER AND IGNITION**

NOTES	NO.	CODE NO.	DESCRIPTION	VALIDITY	Q.TY	
	1	270.4.001.1A	Complete starter motor (8-9 included)		1	
	2	734006N01	Spring washer		1	
	3	417.9.050.6A	Nut		1	
	4	788.1.054.1A	Starter motor gasket		1	
	5	60N102510	Screw		3	
	6	176.1.001.1A	Starter motor sprocket		1	
	7	73500.1237	Circlip		1	
	8	0660.50.020	Intermediate gear pin		1	
	9	0124.40.050	Washer		2	
	10	176.1.002.1A	Intermediate gear assembly		1	
	11	73500.1440	Circlip		1	
	12	771.5.078.2B	Screw		1	
	13	160.1.057.1A	Flywheel connection flange		1	
	14	863.1.002.1A	Locating pin		1	
	15	0647.29.040	Check ring		1	
	16	276.1.025.2A	Ignition flywheel		1	
	17	0619.50.065	Washer		1	
	18	881.1.010.1C	Inner ring		1	
	19	701.4.003.1A	Needle bearing		1	
	20	173.1.004.1A	Electric starter driven gear		1	
	21	701.4.007.1A	Starter clutch		1	

NOTES	NO.	CODE NO.	DESCRIPTION	VALIDITY	Q.TY	
-------	-----	----------	-------------	----------	------	---



DRAWING **13** HEAD : TIMING

NOTES	NO.	CODE NO.	DESCRIPTION	VALIDITY	Q.TY	
	1	72944.1542	Elastic-stop ring nut		2	
	2	0797.69.040	Washer		2	
	3	255.1.004.1A	Timing belt roller		2	
	4	856.1.002.1A	Belt roller separating washer		2	
	5	235.1.007.3A	Vertical rubber cap		1	
	6	713.1.006.1A	Belt roller spacer		2	
	7	0204.70.105	Seal ring		2	
	8	75110.1747	Bearing		2	
	9	0660.29.030	Spacer		2	
	10	60N107335	Screw		4	
	11	235.1.008.1A	Horizontal rubber cap		1	
	12	0370.92.050	Stud bolt		4	
	13	75110.2054	Bearing		2	
	14	0400.16.190	Washer		2	
	15	74172.1008	Woodruff key		2	
	16	148.1.066.1A	Horizontal head camshaft		1	
	17	0400.29.126	Shim th. 0.5		4	
	18	0660.92.310	Cap gasket		2	
	19	75173.1542	Bearing		2	
	20	235.2.015.1B	Cap with bearing		2	
	21	60N102509	Screw		8	
	22	148.1.067.1A	Vertical head camshaft		1	
	23	417.5.033.7A	Stud bolt		4	

NOTES	NO.	CODE NO.	DESCRIPTION	VALIDITY	Q.TY	
-------	-----	----------	-------------	----------	------	---

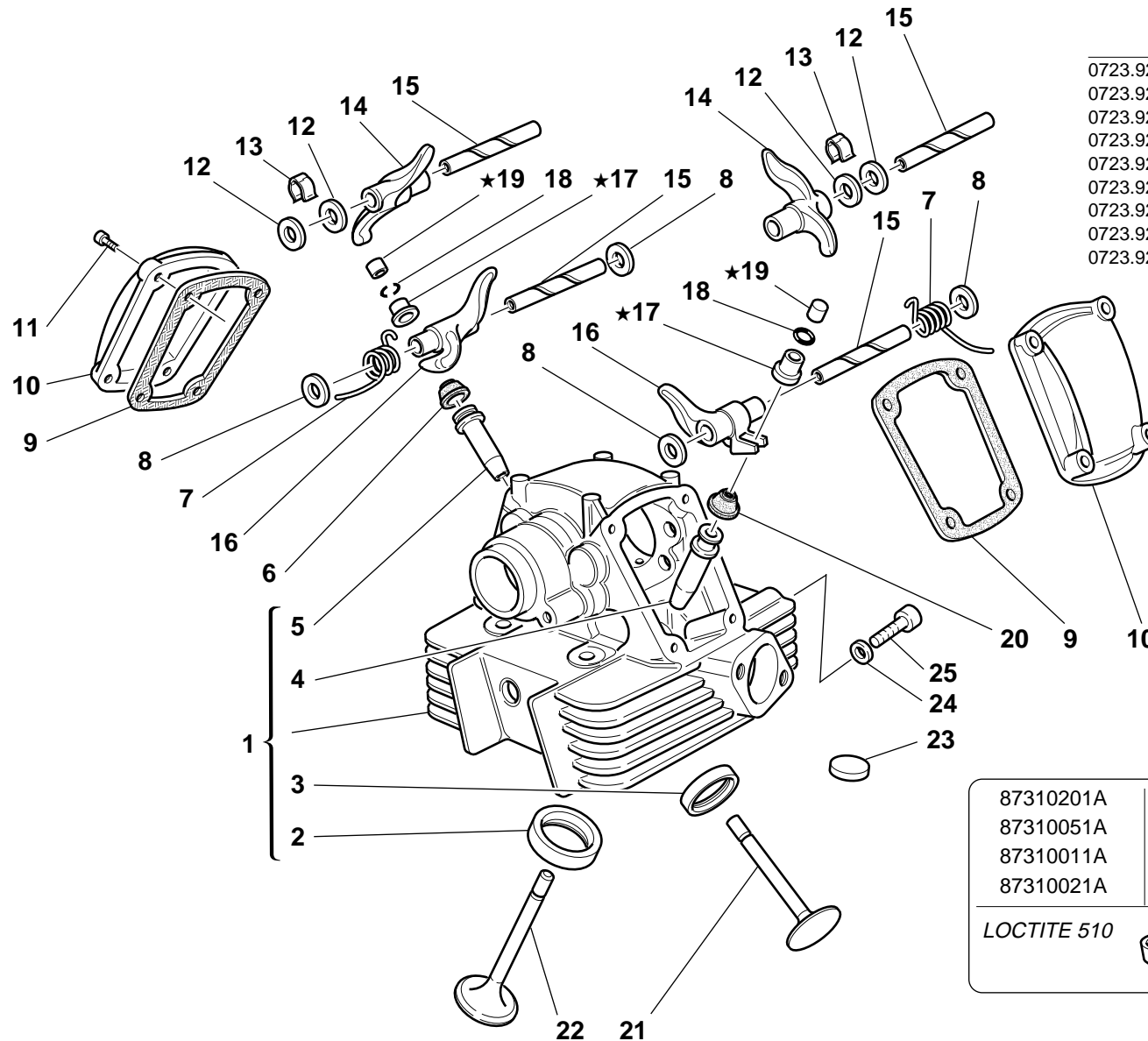
DRAWING **14** VERTICAL HEAD

17 * Scodellino ritorno
Return cap
Coupelle retour
Einstellhülse

19 * Registro bilanciere
Adjustment
Réglage
Ventilkäppchen

0727.92.050—5	0727.92.171—7,15
0727.92.150—5,05	0727.92.072—7,2
0727.92.051—5,10	0727.92.172—7,25
0727.92.151—5,15	0727.92.073—7,30
0727.92.052—5,2	0727.92.173—7,35
0727.92.152—5,25	0727.92.074—7,4
0727.92.053—5,30	0727.92.174—7,45
0727.92.153—5,35	0727.92.075—7,50
0727.92.054—5,4	0727.92.175—7,55
0727.92.154—5,45	0727.92.076—7,6
0727.92.055—5,50	0727.92.176—7,65
0727.92.155—5,55	0727.92.077—7,70
0727.92.056—5,6	0727.92.177—7,75
0727.92.156—5,65	0727.92.078—7,8
0727.92.057—5,70	0727.92.178—7,85
0727.92.157—5,75	0727.92.079—7,90
0727.92.058—5,8	0727.92.179—7,95
0727.92.158—5,85	0727.92.080—8
0727.92.059—5,90	0727.92.180—8,05
0727.92.159—5,95	0727.92.081—8,10
0727.92.060—6	0727.92.181—8,15
0727.92.160—6,05	0727.92.082—8,2
0727.92.061—6,10	0727.92.182—8,25
0727.92.161—6,15	0727.92.083—8,3
0727.92.062—6,2	0727.92.183—8,35
0727.92.162—6,25	0727.92.084—8,4
0727.92.063—6,30	0727.92.184—8,45
0727.92.163—6,35	0727.92.085—8,5
0727.92.064—6,4	0727.92.185—8,55
0727.92.164—6,45	0727.92.086—8,6
0727.92.065—6,50	0727.92.186—8,65
0727.92.165—6,55	0727.92.087—8,7
0727.92.066—6,6	0727.92.187—8,75
0727.92.166—6,65	0727.92.088—8,8
0727.92.067—6,70	0727.92.188—8,85
0727.92.167—6,75	0727.92.089—8,9
0727.92.068—6,8	0727.92.189—8,95
0727.92.168—6,85	0727.92.090—9
0727.92.069—6,90	0727.92.092—9,2
0727.92.169—6,95	0727.92.094—9,4
0727.92.070—7	0727.92.096—9,6
0727.92.170—7,05	
0727.92.071—7,10	


0723.92.500—2	0723.92.575—2,45
0723.92.535—2,05	0723.92.505—2,5
0723.92.501—2,1	0723.92.585—2,55
0723.92.545—2,15	0723.92.506—2,6
0723.92.502—2,2	0723.92.595—2,65
0723.92.555—2,25	0723.92.507—2,7
0723.92.503—2,3	0723.92.605—2,75
0723.92.565—2,35	0723.92.508—2,8
0723.92.504—2,4	0723.92.615—2,85
	0723.92.509—2,9
	0723.92.625—2,95
	0723.92.510—3
	0723.92.635—3,05
	0723.92.511—3,1
	0723.92.645—3,15
	0723.92.512—3,2
	0723.92.655—3,25
	0723.92.513—3,3
	0723.92.675—3,35
	0723.92.514—3,4
	0723.92.685—3,45
	0723.92.515—3,5
	0723.92.695—3,55
	0723.92.516—3,6
	0723.92.705—3,65
	0723.92.517—3,7
	0723.92.715—3,75
	0723.92.518—3,8
	0723.92.725—3,85
	0723.92.519—3,9
	0723.92.735—3,95
	0723.92.520—4
	0723.92.745—4,05
	0723.92.521—4,1
	0723.92.522—4,2
	0723.92.523—4,3
	0723.92.524—4,4
	0723.92.525—4,5
	0723.92.526—4,6
	0723.92.527—4,7
	0723.92.528—4,8
	0723.92.529—4,9
	0723.92.530—5



DRAWING **14** VERTICAL HEAD

NOTES	NO.	CODE NO.	DESCRIPTION	VALIDITY	Q.TY	
	1	301.2.018.1BA	Vertical head (2,3,6,7 included)		1	
	2	304.1.005.2A	Intake valve seat		1	
	2	304.1.005.2AB	Oversize intake valve seat 0.03		1	
	2	304.1.005.2AC	Oversize intake valve seat 0.06		1	
	3	304.1.006.2A	Exhaust valve seat		1	
	3	304.1.006.2AB	Oversize exhaust valve seat 0.03		1	
	3	304.1.006.2AC	Oversize exhaust valve seat 0.06		1	
	4	303.1.003.1A	Intake valve cast iron guide		1	
	4	303.1.003.1AB	Oversize valve guide 0.03		1	
	4	303.1.003.1AC	Oversize valve guide 0.06		1	
	4	303.1.003.1AD	Oversize valve guide 0.09		1	
	5	303.1.004.1C	Exhaust valve bronze guide		1	
	5	303.1.004.1CB	Oversize valve guide 0.03		1	
	5	303.1.004.1CC	Oversize valve guide 0.06		1	
	5	303.1.004.1CD	Oversize valve guide 0.09		1	
	6	764.1.013.1A	Valve seal		1	
	7	799.1.061.1A	Closing rocker spring		2	
	8	0765.92.205	Shim th. 0.2		8	
	8	0670.92.190	Shim th. 2		4	
	8	0619.92.180	Shim th. 0.3		6	
	8	0765.92.190	Shim th. 0.5		4	
	8	0765.92.185	Shim th. 1		2	
	9	788.1.032.2A	Valve cover gasket		2	
	10	240.1.010.1AA	Valve cover		2	
	11	771.5.066.2B	Screw		8	
	12	0647.70.010	Shim		4	
	13	0375.92.210	Spring		2	

CATALOGUE No.: 915.1.053.1C
ISSUED: 11 - 99

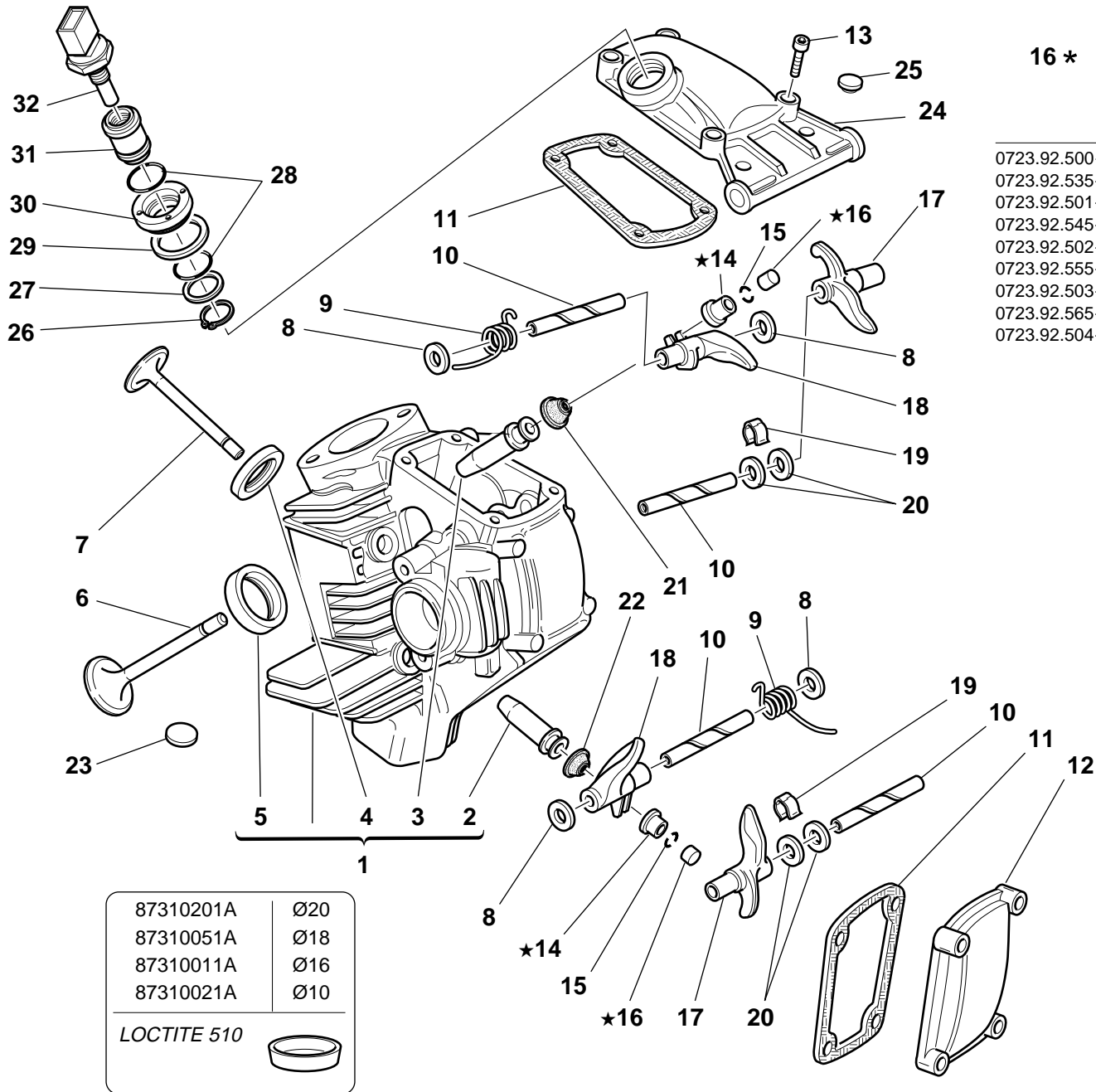
NOTES	NO.	CODE NO.	DESCRIPTION	VALIDITY	Q.TY	
	14	0375.92.170	Opening rocker		2	
	15	0660.92.240	Rocker shaft		4	
	16	0660.92.183	Closing rocker		2	
	17	0727.92.239	See table		2	
	18	669.1.003.1A	Split rings		4	
	19	0723.92.239	See table		2	
	20	764.1.009.1A	Valve seal		1	
	21	210.1.003.5A	Intake valve		1	
	22	211.1.003.4A	Exhaust valve		1	
	23	0670.17.395	Vibration damper pad		20	
	24	420.2.000.7A	Copper gasket		1	
	25	779.1.133.1A	Screw		1	

CATALOGUE No.: 915.1.053.1C
ISSUED: 11 - 99

DRAWING **15** HORIZONTAL HEAD

14 * Scodellino ritorno
Return cap
Coupelle retour
Einstellhülse

0727.92.050—5	0727.92.171—7,15
0727.92.150—5,05	0727.92.072—7,2
0727.92.051—5,10	0727.92.172—7,25
0727.92.151—5,15	0727.92.073—7,30
0727.92.052—5,2	0727.92.173—7,35
0727.92.152—5,25	0727.92.074—7,4
0727.92.053—5,30	0727.92.174—7,45
0727.92.153—5,35	0727.92.075—7,50
0727.92.054—5,4	0727.92.175—7,55
0727.92.154—5,45	0727.92.076—7,6
0727.92.055—5,50	0727.92.176—7,65
0727.92.155—5,55	0727.92.077—7,70
0727.92.056—5,6	0727.92.177—7,75
0727.92.156—5,65	0727.92.078—7,8
0727.92.057—5,70	0727.92.178—7,85
0727.92.157—5,75	0727.92.079—7,90
0727.92.058—5,8	0727.92.179—7,95
0727.92.158—5,85	0727.92.080—8
0727.92.059—5,90	0727.92.180—8,05
0727.92.159—5,95	0727.92.081—8,10
0727.92.060—6	0727.92.181—8,15
0727.92.160—6,05	0727.92.082—8,2
0727.92.061—6,10	0727.92.182—8,25
0727.92.161—6,15	0727.92.083—8,3
0727.92.062—6,2	0727.92.183—8,35
0727.92.162—6,25	0727.92.084—8,4
0727.92.063—6,30	0727.92.184—8,45
0727.92.163—6,35	0727.92.085—8,5
0727.92.064—6,4	0727.92.185—8,55
0727.92.164—6,45	0727.92.086—8,6
0727.92.065—6,50	0727.92.186—8,65
0727.92.165—6,55	0727.92.087—8,7
0727.92.066—6,6	0727.92.187—8,75
0727.92.166—6,65	0727.92.088—8,8
0727.92.067—6,70	0727.92.188—8,85
0727.92.167—6,75	0727.92.089—8,9
0727.92.068—6,8	0727.92.189—8,95
0727.92.168—6,85	0727.92.090—9
0727.92.069—6,90	0727.92.092—9,2
0727.92.169—6,95	0727.92.094—9,4
0727.92.070—7	0727.92.096—9,6
0727.92.170—7,05	
0727.92.071—7,10	



16 * Registro bilanciere
Adjustment
Réglage
Ventilkäppchen

0723.92.500—2	0723.92.575—2,45
0723.92.535—2,05	0723.92.505—2,5
0723.92.501—2,1	0723.92.585—2,55
0723.92.545—2,15	0723.92.506—2,6
0723.92.502—2,2	0723.92.595—2,65
0723.92.555—2,25	0723.92.507—2,7
0723.92.503—2,3	0723.92.605—2,75
0723.92.565—2,35	0723.92.508—2,8
0723.92.504—2,4	0723.92.615—2,85
	0723.92.509—2,9
	0723.92.625—2,95
	0723.92.510—3
	0723.92.635—3,05
	0723.92.511—3,1
	0723.92.645—3,15
	0723.92.512—3,2
	0723.92.655—3,25
	0723.92.513—3,3
	0723.92.675—3,35
	0723.92.514—3,4
	0723.92.685—3,45
	0723.92.515—3,5
	0723.92.695—3,55
	0723.92.516—3,6
	0723.92.705—3,65
	0723.92.517—3,7
	0723.92.715—3,75
	0723.92.518—3,8
	0723.92.725—3,85
	0723.92.519—3,9
	0723.92.735—3,95
	0723.92.520—4
	0723.92.745—4,05
	0723.92.521—4,1
	0723.92.522—4,2
	0723.92.523—4,3
	0723.92.524—4,4
	0723.92.525—4,5
	0723.92.526—4,6
	0723.92.527—4,7
	0723.92.528—4,8
	0723.92.529—4,9
	0723.92.530—5

DRAWING

15

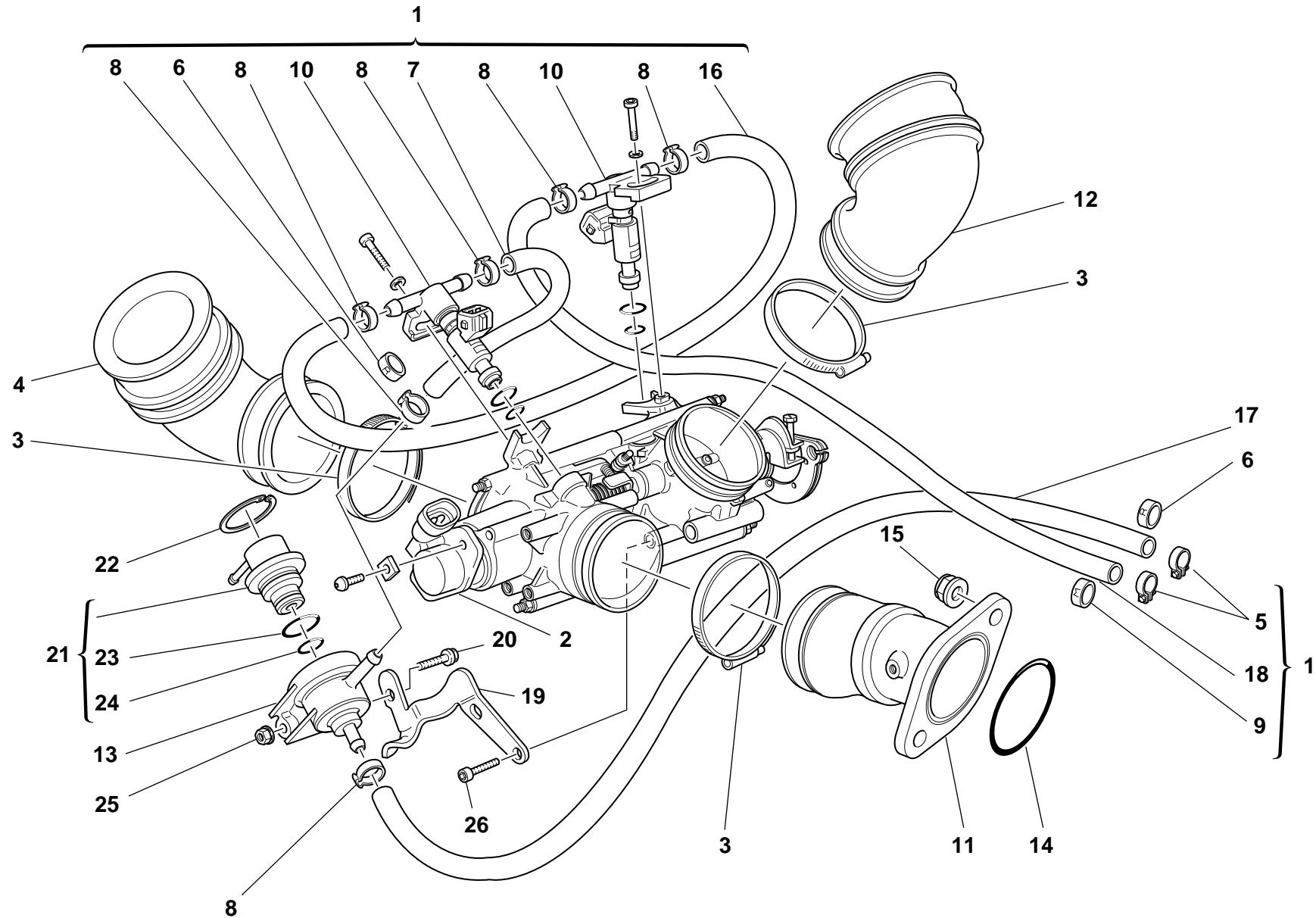
HORIZONTAL HEAD

NOTES	NO.	CODE NO.	DESCRIPTION	VALIDITY	Q.TY		NOTES	NO.	CODE NO.	DESCRIPTION	VALIDITY	Q.TY	
	1	301.2.019.2BA	Horizontal head (2,3,6,7 included)		1			13	771.5.066.2B	Screw		8	
	2	303.1.004.1C	Exhaust valve bronze guide		1			14	0727.92.239	See table		2	
	2	303.1.004.1CB	Oversize valve guide 0.03		1			15	669.1.003.1A	Split rings		4	
	2	303.1.004.1CC	Oversize valve guide 0.06		1			16	0723.92.239	See table		2	
	2	303.1.004.1CD	Oversize valve guide 0.09		1			17	0375.92.170	Opening rocker		2	
	3	303.1.003.1A	Intake valve cast iron guide		1			18	0660.92.183	Closing rocker		2	
	3	303.1.003.1AB	Oversize valve guide 0.03		1			19	0375.92.210	Spring		2	
	3	303.1.003.1AC	Oversize valve guide 0.06		1			20	0647.70.010	Shim		4	
	3	303.1.003.1AD	Oversize valve guide 0.09		1			21	764.1.009.1A	Valve seal		1	
	4	304.1.006.2A	Exhaust valve seat		1			22	764.1.013.1A	Valve seal		1	
	4	304.1.006.2AB	Oversize exhaust valve seat 0.03		1			23	0670.17.395	Vibration damper pad		22	
	4	304.1.006.2AC	Oversize exhaust valve seat 0.06		1			24	240.1.012.1BA	Intake valve cover		1	
	5	304.1.005.2A	Intake valve seat		1			25	300160	Rubber cap		2	
	5	304.1.005.2AB	Oversize intake valve seat 0.03		1			26	73500.1747	Snap ring		1	
	5	304.1.005.2AC	Oversize intake valve seat 0.06		1			27	713.1.137.1A	Spacer		1	
	6	210.1.003.5A	Intake valve		1			28	886.4.028.1A	O-Ring		2	
	7	211.1.003.4A	Exhaust valve		1			29	787.1.008.1A	Aluminium gasket		1	
	8	0765.92.205	Shim th. 0.2		8			30	703.1.019.1A	Ring nut		1	
	8	0670.92.190	Shim th. 2		4			31	829.1.235.1A	Holder sensor		1	
	8	0619.92.180	Shim th. 0.3		6			32	552.4.013.1A	Water temperature sensor		1	
	8	0765.92.190	Shim th. 0.5		4								
	8	0765.92.185	Shim th. 1		2								
	9	799.1.061.1A	Closing rocker spring		2								
	10	0660.92.240	Rocker shaft		4								
	11	788.1.032.2A	Valve cover gasket		2								
	12	240.1.010.1AA	Valve cover		1								


TAVOLA
DRAWING
TABLE
BILD
TABLA

16

INLET DICT



DRAWING **16** INLET DICT

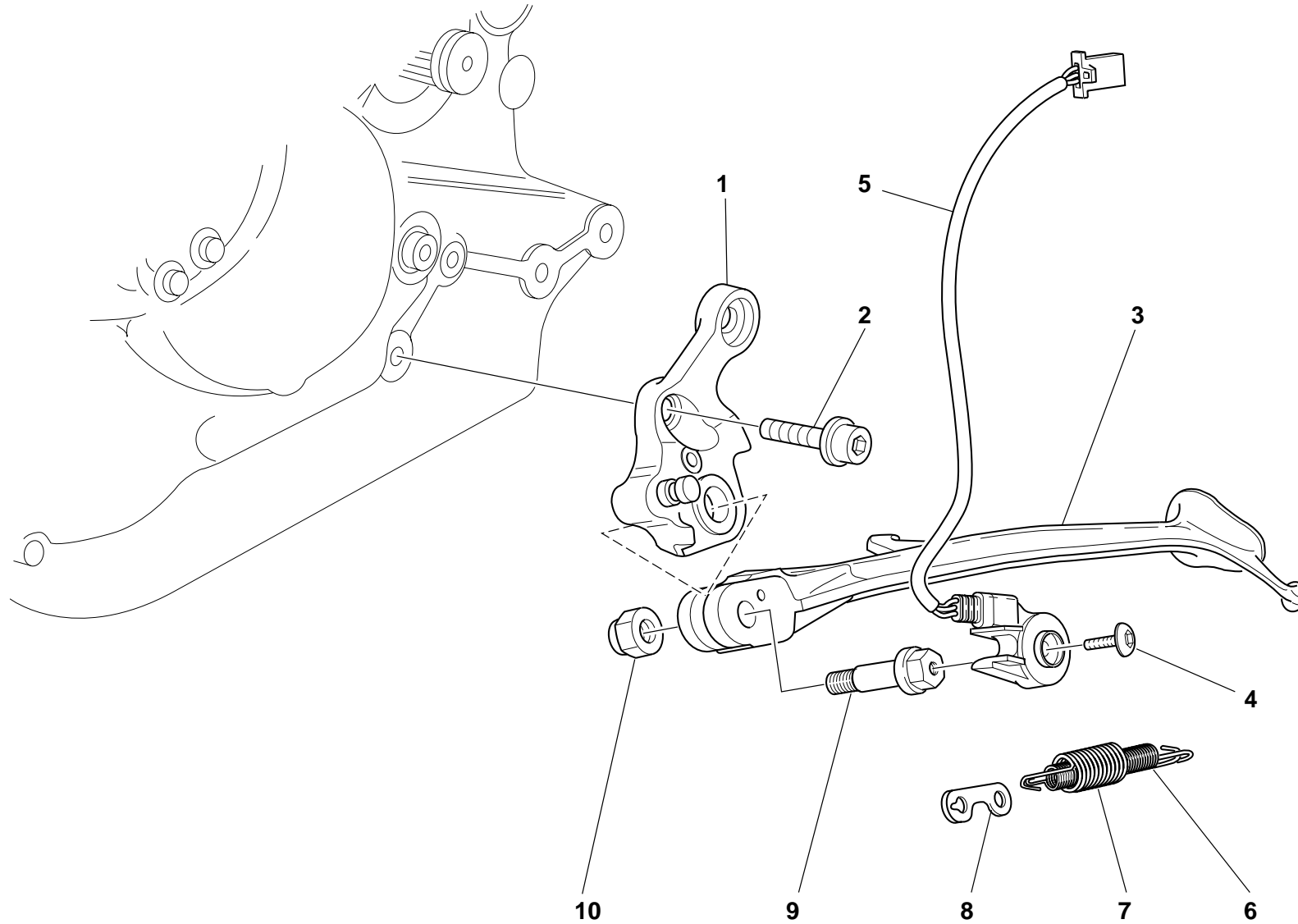
NOTES	NO.	CODE NO.	DESCRIPTION	VALIDITY	Q.TY 
	1	282.4.022.1A	Feed unit assembly		1
	2	284.4.002.1A	Potentiometer		1
	3	741.4.042.1A	Clamp		4
	4	801.1.024.1A	Hose		1
	5	741.4.004.1A	Clamp		2
	6	741.4.041.1A	Clamp "R"		1
	7	590.1.133.1A	Tube		1
	8	287.4.024.1B	Clamp		6
	9	741.4.040.1A	Clamp "M"		1
	10	280.4.007.1A	Injector		2
	11	137.1.003.1B	Intake duct		2
	12	801.1.023.1A	Hose		1
	13	830.1.091.2A	Holder		1
	14	463.2.022.2A	O-Ring		2
	15	729908FN1	Nut		4
	16	590.1.132.1A	Tube		1
	17	590.1.134.1A	Tube		1
	18	590.1.130.1A	Tube		1
	19	827.1.193.1A	Regulator bracket		1
	20	8000.62729	Screw		1
	21	283.4.003.1A	Pressure regulator		1
	22	73503.3449	Circlip		1
	23	886.4.022.1A	O-ring		1
	24	886.4.021.1A	O-ring		1
	25	0335.03.465	El-stop nut		1
	26	70620.5212	Screw		2

NOTES	NO.	CODE NO.	DESCRIPTION	VALIDITY	Q.TY 
-------	-----	----------	-------------	----------	--


TAVOLA
DRAWING
TABLE
BILD
TABLA

17

STANDS



DRAWING **17** **STANDS**

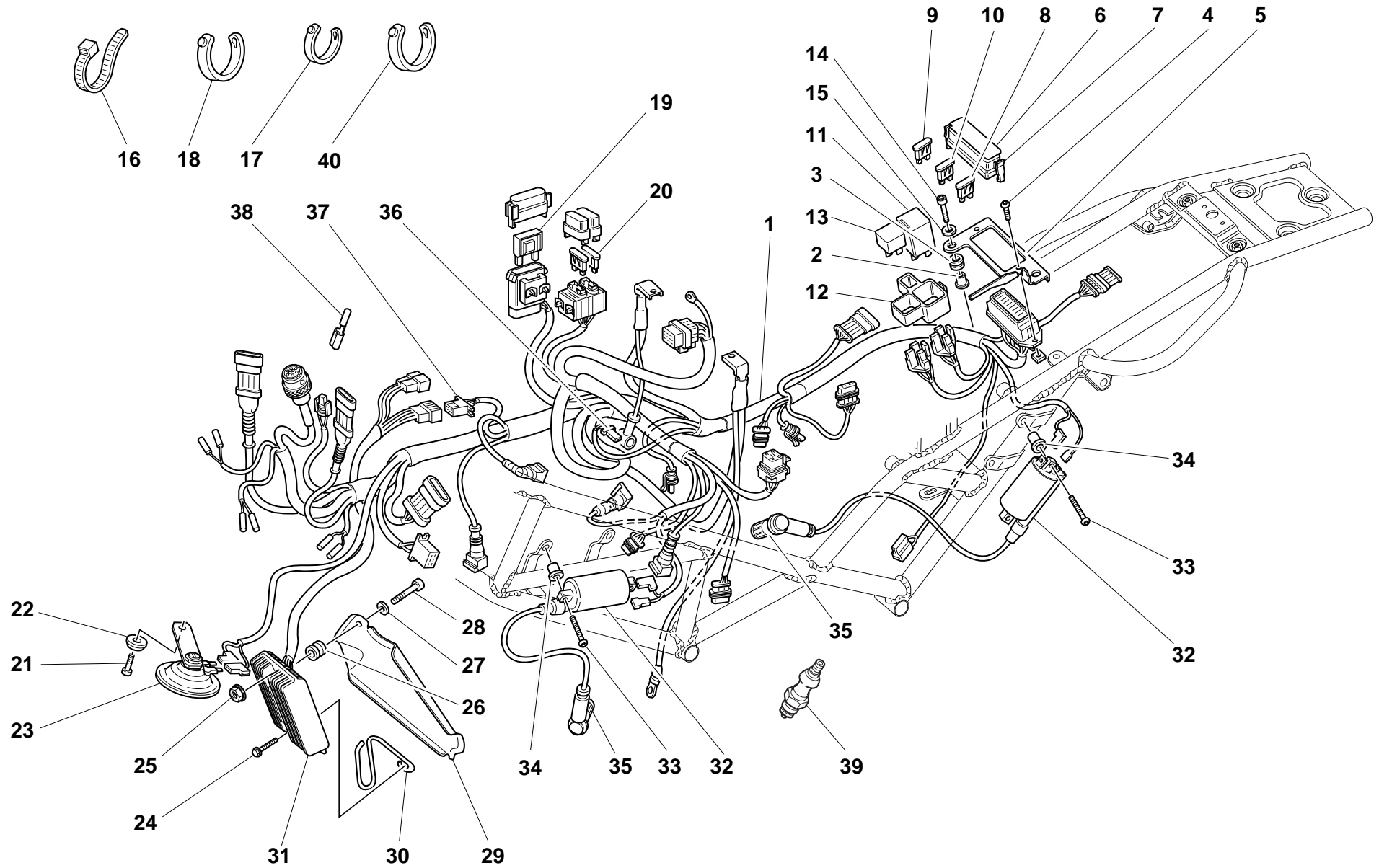
NOTES	NO.	CODE NO.	DESCRIPTION	VALIDITY	Q.TY	
	1	556.2.027.1A	Plate		1	
	2	771.5.754.2B	Screw		1	
	3	556.1.024.1A	Side stand		1	
	4	779.4.005.1A	Screw		1	
	5	539.1.023.1A	Switch		1	
	6	799.1.089.1A	Spring		1	
	7	799.1.088.1A	Outer spring		1	
	8	827.1.139.1B	Plate		1	
	9	556.1.018.1C	Pivot		1	
	10	749.4.045.2G	Nut		1	

NOTES	NO.	CODE NO.	DESCRIPTION	VALIDITY	Q.TY	
-------	-----	----------	-------------	----------	------	---

TAVOLA
DRAWING
TABLE
BILD
TABLA

18



ELECTRIC SYSTEM



DRAWING

18

ELECTRIC SYSTEM

NOTES	NO.	CODE NO.	DESCRIPTION	VALIDITY	Q.TY 	NOTES	NO.	CODE NO.	DESCRIPTION	VALIDITY	Q.TY 
	1	510.3.131.1A	Wiring		1	28	417.6.016.8A	Screw			1
	2	716.1.014.1B	Spacer		2	29	247.1.098.2A	Cover			1
	3	764.1.029.1A	Rubber pad		2	30	881.1.028.1A	Fairlead			1
	4	779.1.009.1A	Screw		1	31	540.4.011.1C	Regulator			1
	5	829.1.113.2A	Plate		1	32	380.4.004.1B	Coil			2
	6	433.1.241.1A	Sticker schema fusibili		1	33	775.1.013.1A	Screw			4
	7	246.1.059.1A	Case cover		1	34	0000.63150	Insert			4
	8	389.4.007.1A	Fuse 7.5A		4	35	672.1.013.1A	Spare cap			2
	9	389.4.008.1A	Fuse 15A		2	36	0000.56803	Connector			1
	10	389.4.010.1A	Fuse 30A		2	37	0000.66526	Connector			1
	11	538.4.005.1A	Flashing device		1	38	0000.66527	End section			4
	12	829.1.256.1A	Holder		1	39	670.4.008.1A	Spark plug			2
	13	287.4.014.1A	Relay		1	40	741.1.013.1A	Clamp			11
	14	60N102511	Screw		2						
	15	0670.72.010	Washer		2						
	16	0691.91.030	Clamp		5						
	17	741.1.012.1A	Clamp		14						
	18	741.4.038.1A	Clamp		5						
	19	389.4.014.1A	Fuse 40A		1						
	20	389.4.006.1A	Fuse 3A		2						
	21	771.5.268.2B	Screw		1						
	22	841.1.017.1A	Retainer		1						
	23	516.4.001.1AB	Horn (BLACK)		1						
	24	772.5.023.1A	Screw		1						
	25	0000.44240	Nut		1						
	26	713.1.102.1A	Spacer		1						
	27	734306N01	Washer		1						

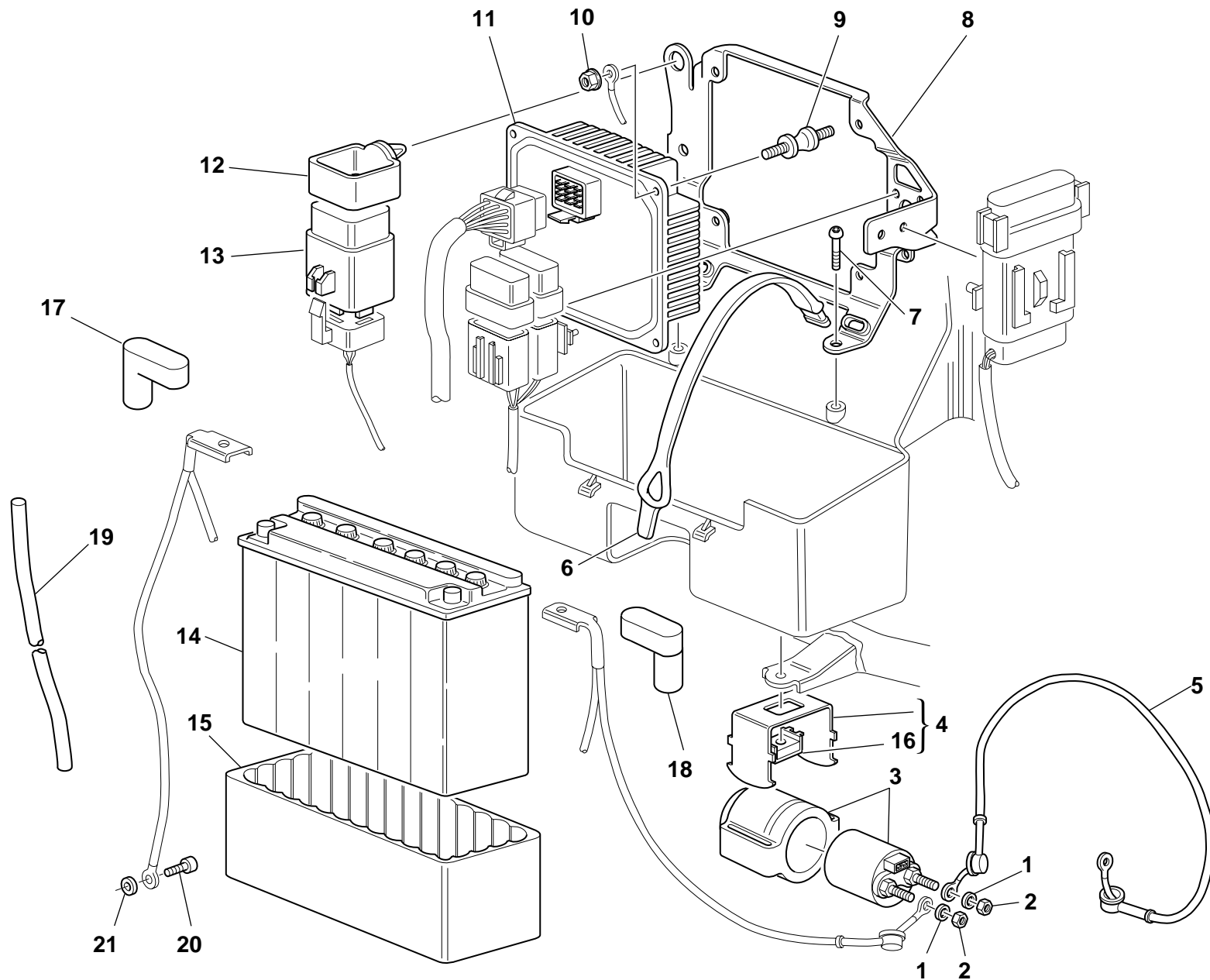
CATALOGUE No.: 915.1.053.1C
ISSUED: 11 - 99

CATALOGUE No.: 915.1.053.1C
ISSUED: 11 - 99


TAVOLA
DRAWING
TABLE
BILD
TABLA

19

BATTERY BOX MOUNT



DRAWING **19** **BATTERY BOX MOUNT**

NOTES	NO.	CODE NO.	DESCRIPTION	VALIDITY	Q.TY 
	1	462.4.037.6A	Spring washer		2
	2	417.9.050.6A	Nut		2
	3	397.4.001.1A	Remote switch		1
	4	829.2.234.1B	Holder		1
	5	514.1.025.2A	Solenoid starter-starter motor cable		1
	6	759.1.006.1A	Spring hook		2
	7	8000.59572	Screw		4
	8	829.1.230.1A	Plate		1
	9	700.1.026.1A	Vibration damper pad		4
	10	748.4.026.1B	Nut		4
	11	286.4.024.1A	Injection control unit		1
	12	829.1.127.1A	Holder		1
	13	287.4.040.2A	Relay		1
	14	395.4.001.1A	Battery		1
	15	791.1.036.1A	Battery gasket		1
	16	0960.91.130	Nut		1
	17	672.1.023.1A	Terminal cap		1
	18	672.1.024.1A	Terminal cap(BLACK)		1
	19	877.1.053.1A	Battery breather pipe		1
	20	775.1.006.1A	Special screw		1
	21	734008N01	Spring washer		1

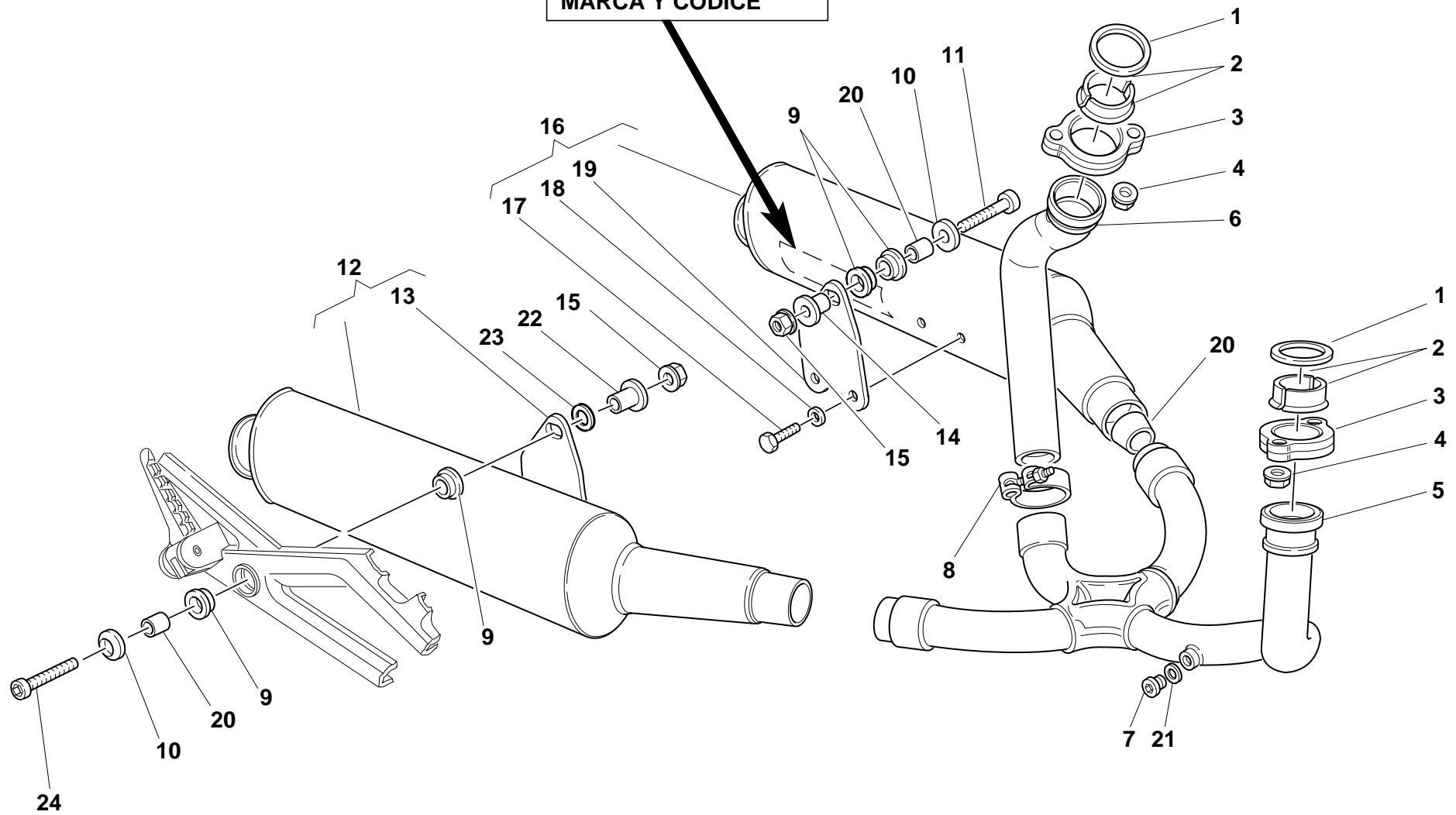
NOTES	NO.	CODE NO.	DESCRIPTION	VALIDITY	Q.TY 
-------	-----	----------	-------------	----------	--

TAVOLA
DRAWING
TABLE
BILD
TABLA

20

EXHAUST SYSTEM

MARCA E CODICE
MAKE AND CODE
MARQUET ET CODE
FABRIKAT UND CODE
MARCA Y CODICE



DRAWING **20** EXHAUST SYSTEM

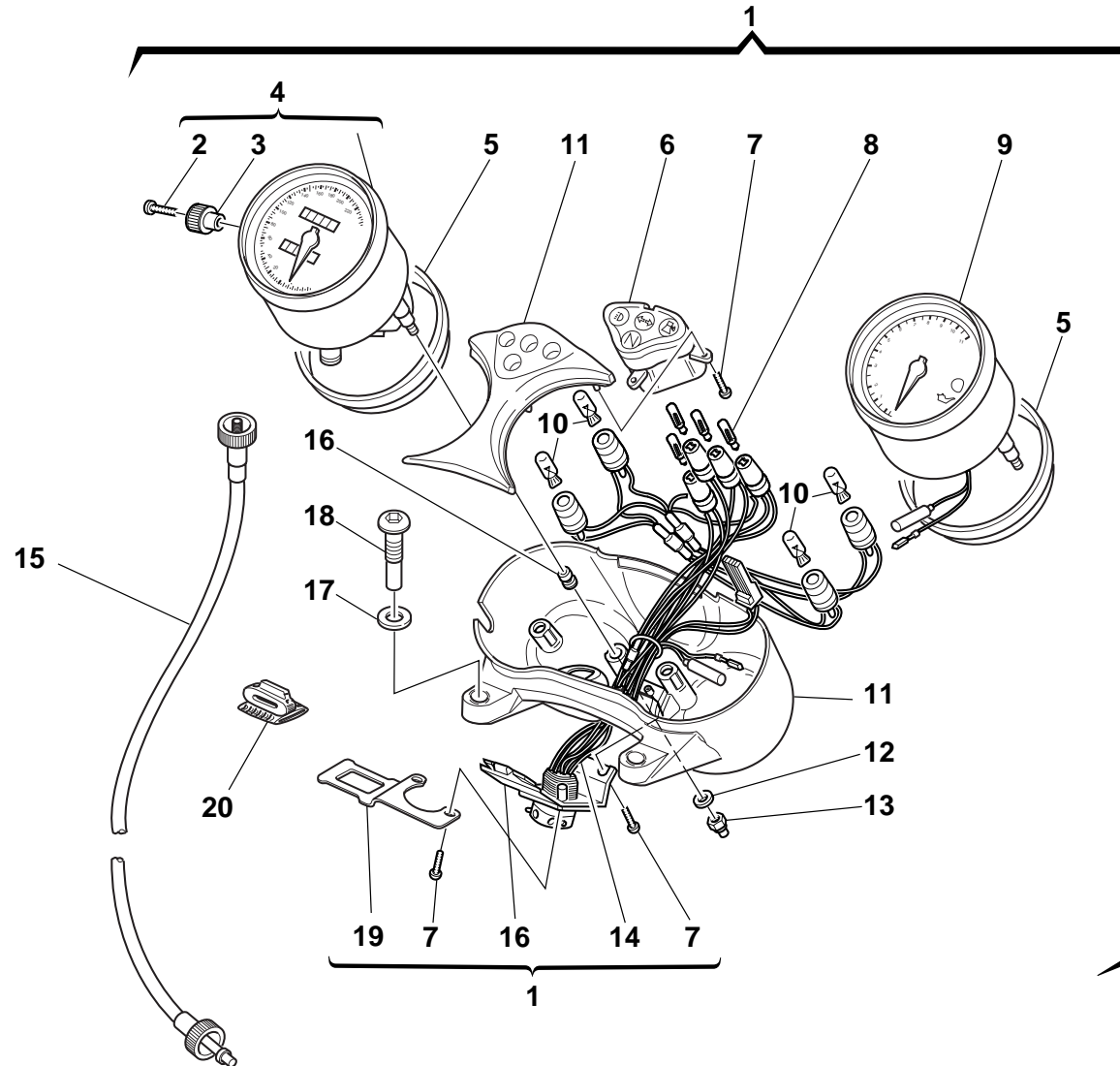
NOTES	NO.	CODE NO.	DESCRIPTION	VALIDITY	Q.TY 
	1	0370.84.005	Exhaust gasket		2
	2	0619.84.015	Half bushes		4
	3	575.1.001.1AB	Exhaust ring nut (GREY)		2
	4	0404.02.390	Nut		4
	5	570.1.020.1A	Horizontal head exhaust pipe		1
	6	571.1.018.2A	Vertical head exhaust pipe		1
	7	780.1.007.1A	Cap		2
	8	741.1.003.1A	Clamp		1
	9	764.1.001.1A	Rubber pad		4
	10	0000.30326	Washer		2
	11	779.5.003.1A	Screw		1
	12	573.1.050.1A	R.H. silencer		1
	13	576.1.021.1A	R.H. bracket		1
	14	716.1.055.1A	Spacer		1
	15	8000.44240	Nut		2
	16	574.1.050.1A	L.H. silencer		1
	17	70914.2121	Screw		4
	18	73270.8001	Washer		4
	19	576.1.022.1A	L.H. bracket		1
	20	711.1.090.1A	Bush		2
	21	420.2.001.0A	Copper gasket		2
	22	716.1.054.1A	Spacer		1
	23	852.1.118.1A	Washer		1
	24	779.5.018.1A	Screw		1

NOTES	NO.	CODE NO.	DESCRIPTION	VALIDITY	Q.TY 
-------	-----	----------	-------------	----------	--


TAVOLA
DRAWING
TABLE
BILD
TABLA

21

INSTRUMENT PANEL



DRAWING **21** INSTRUMENT PANEL

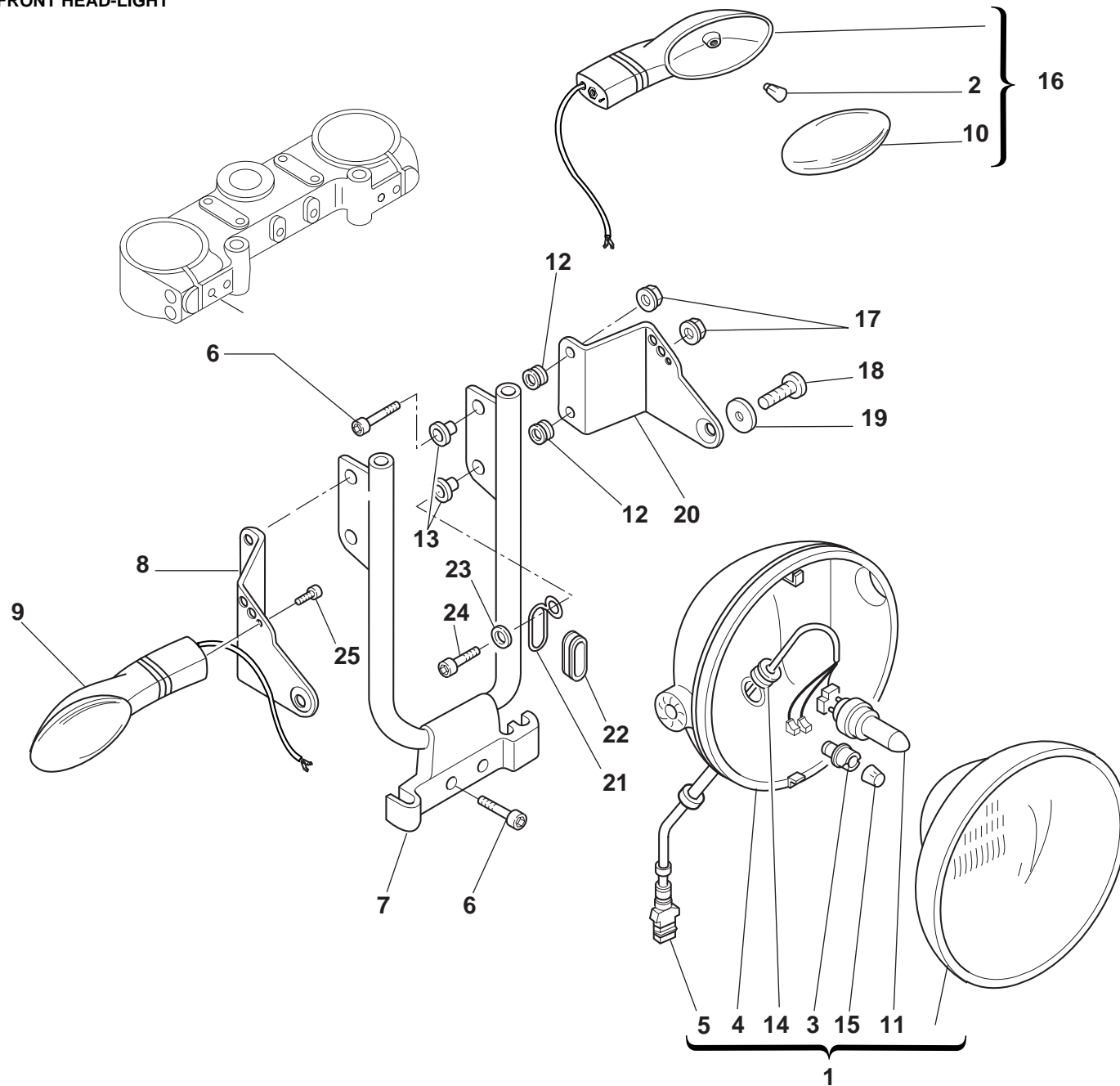
NOTES	NO.	CODE NO.	DESCRIPTION	VALIDITY	Q.TY 
	1	406.2.011.1B	Complete instrument panel (speedometer - miles)		1
	2	776.4.002.1A	Screw		1
	3	408.1.008.1A	Knob		1
	4	401.4.016.1A	Speedometer (miles)		1
	5	791.1.022.1A	Gasket		1
	6	247.1.125.1A	Plate		1
	7	774.4.001.1A	Screw		7
	8	8000.20602	Warning lamp bulb12V-1.2W		4
	9	402.4.011.1A	Electronic tachometer		1
	10	8000.56750	Warning lamp bulb12V-2.1W		4
	11	407.1.008.1A	Cover		1
	12	852.1.119.1A	Washer		4
	13	747.5.002.1A	Nut		4
	14	510.1.150.1A	Electric wiring		1
	15	403.1.008.2A	Speedometer transmission		1
	16	700.4.009.1A	Rubber pad		4
	17	60N115506	Washer		2
	18	779.1.098.1B	Special screw		2
	19	829.1.272.1A	Holder sensor		1
	20	829.1.273.1A	Connector holder		1

NOTES	NO.	CODE NO.	DESCRIPTION	VALIDITY	Q.TY 
-------	-----	----------	-------------	----------	--


TAVOLA
DRAWING
TABLE
BILD
TABLA

22

FRONT HEAD-LIGHT



DRAWING **22** FRONT HEAD-LIGHT

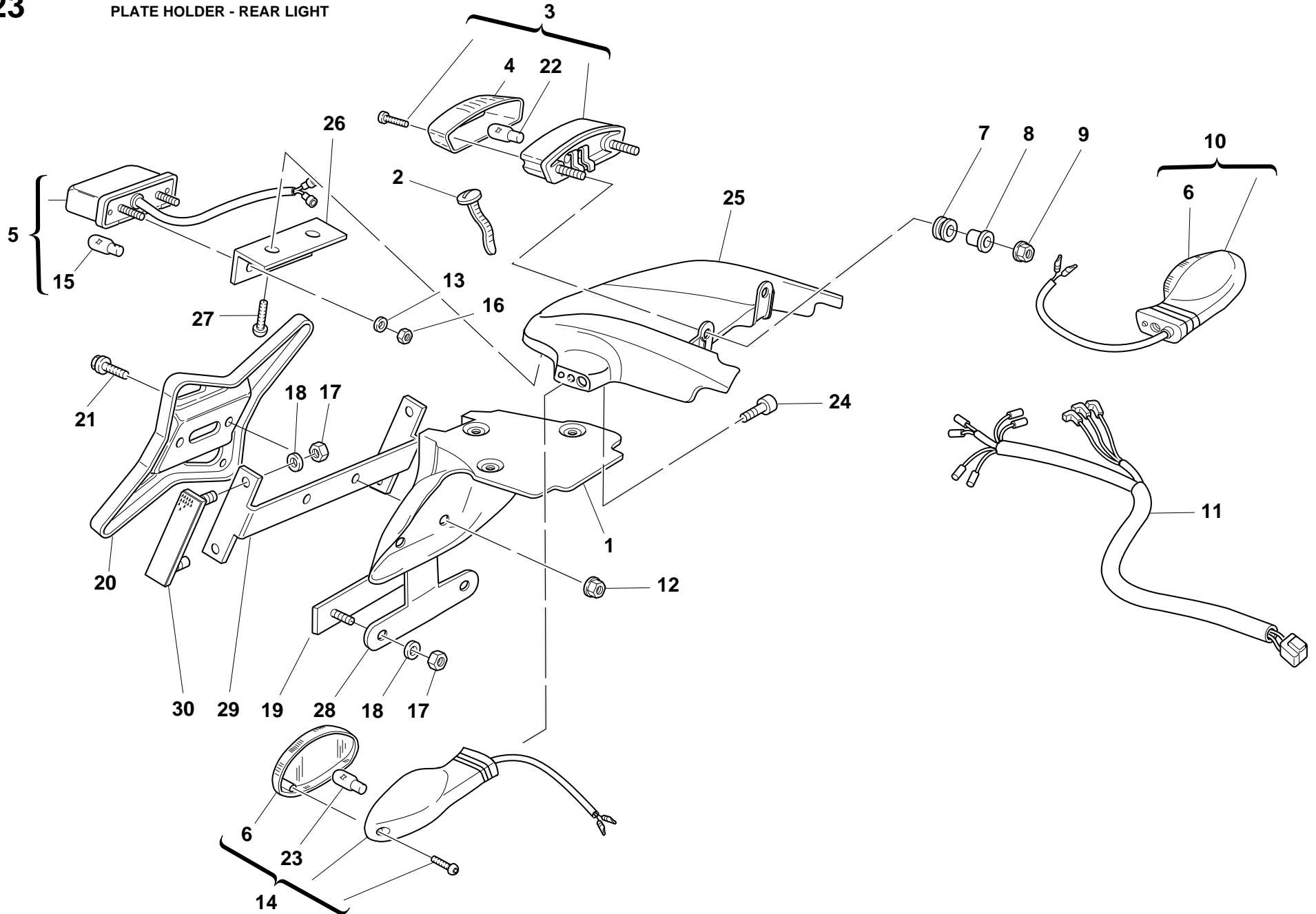
NOTES	NO.	CODE NO.	DESCRIPTION	VALIDITY	Q.TY 
	1	520.4.006.1C	Complete headlight		1
	2	8000.36726	Bulb		2
	3	521.4.005.1A	Lamp holder		1
	4	723.1.003.1A	Cap		1
	5	510.1.075.1A	Electric wiring		1
	6	60N102509	Screw		5
	7	829.1.194.1A	Headlight holder		1
	8	830.1.094.1A	R.H. bracket		1
	9	530.4.007.1A	Turn indicator		1
	10	532.4.004.1A	Cup		2
	11	0796.38.305	Bulb 55/60W		1
	12	8000.18048	Rubber pad		6
	13	716.1.022.1A	Spacer		6
	14	758.1.014.1A	Fairlead		1
	15	0659.38.226	Bulb 4W		1
	16	530.4.008.1A	Turn indicator		1
	17	750.5.001.1A	Nut		4
	18	707008N01	Screw		2
	19	841.1.017.1A	Retainer		2
	20	830.1.195.1A	L.H. bracket		1
	21	881.1.023.1A	Ring		1
	22	0797.41.090	Fairlead rubber ring		1
	23	734306N01	Washer		1
	24	60N102510	Screw		1
	25	60N107335	Screw		2

NOTES	NO.	CODE NO.	DESCRIPTION	VALIDITY	Q.TY 
-------	-----	----------	-------------	----------	--

TAVOLA
DRAWING
TABLE
BILD
TABLA

23

PLATE HOLDER - REAR LIGHT



DRAWING **23** **PLATE HOLDER - REAR LIGHT**

NOTES	NO.	CODE NO.	DESCRIPTION	VALIDITY	Q.TY 
	1	561.1.015.1A	Number plate holder		1
	2	741.4.020.1A	Clamp		1
	3	525.4.007.2A	Tail lamp		1
	4	526.4.003.1A	Cup		1
	5	525.1.004.2A	Tail lamp		1
	6	532.4.004.1A	Cup		2
	7	0797.72.068	Vibration damper pad		2
	8	0000.44099	Spacer		2
	9	750.5.001.1A	Nut		2
	10	530.4.010.1A	Turn indicator		1
	11	510.1.076.1B	Electric wiring		1
	12	729906FN1	Nut		2
	13	60N115548	Washer		2
	14	530.4.009.1A	Turn indicator		1
	15	8000.36230	Bulb		1
	16	729905FN1	El-stop nut		2
	17	749.5.001.1A	Nut		6
	18	852.5.001.1A	Washer		6
	19	529.1.009.1A	Cat's eye		1
	20	561.1.017.1B	Plate		1
	21	772.5.023.1A	Screw		2
	22	390.4.003.1A	Two-light bulb 12V 5/21W		1
	23	8000.36726	Bulb		2
	24	60N107335	Screw		2
	25	565.1.014.1D	Protection		1
	26	827.1.182.1A	Headlight holder		1
	27	771.5.617.2B	Screw		2


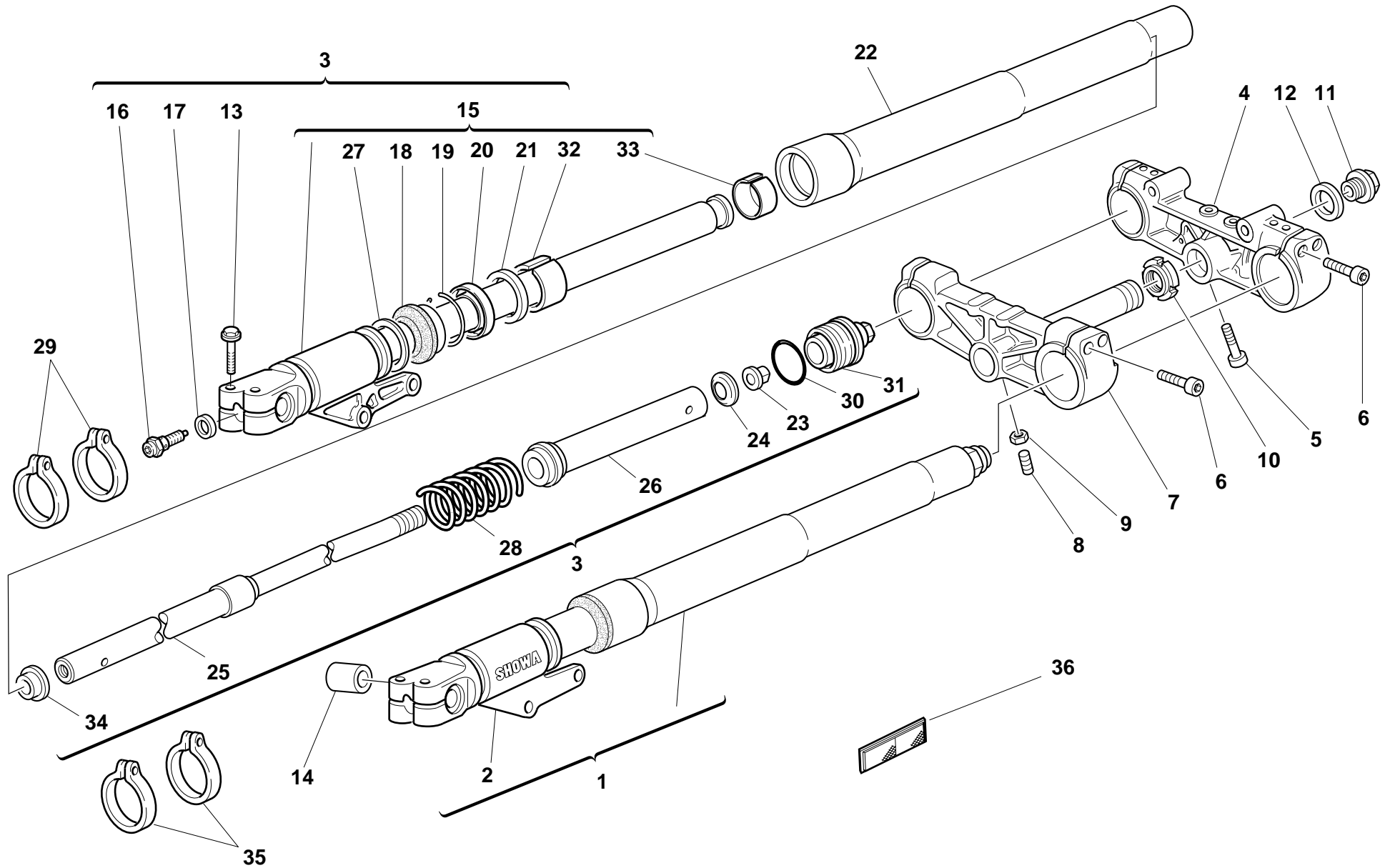
NOTES	NO.	CODE NO.	DESCRIPTION	VALIDITY	Q.TY 
	28	827.1.191.1A	Plate		1
	29	829.1.136.1A	Holder		1
	30	529.1.006.1A	Cat's eye		2

TAVOLA
DRAWING
TABLE
BILD
TABLA

24

FORK



DRAWING **24** **FORK**

NOTES	NO.	CODE NO.	DESCRIPTION	VALIDITY	Q.TY 
	1	340.2.112.1A	L.H. fork leg assembly		1
	2	349.1.130.1A	Complete L.H. slider		1
	3	340.2.111.1A	R.H. fork leg assembly		1
	4	341.1.017.2A	Steering head		1
	5	779.5.012.1A	Screw		1
	6	60N102557	Screw		8
	7	342.9.013.1A	Steering head base with pin		2
	8	779.1.099.1A	Special screw		2
	9	417.9.030.8A	Nut		2
	10	0795.37.120	Ring nut		2
	11	873.1.016.1C	Cap		2
	12	856.1.030.1A	Washer		2
	13	60N102558	Screw		4
	14	711.1.033.1A	Wheel spindle bush		2
	15	349.1.129.1A	Complete R.H. slider		1
	16	349.1.124.1A	Adjusting screw		2
	17	349.1.076.1A	Washer		2
	18	349.1.101.1A	Dust seal		2
	19	884.1.005.1A	Ring		2
	20	930.1.005.1A	Seal ring		2
	21	349.1.102.1A	Check ring		2
	22	349.1.131.1A	Stanchion tube		1
	23	349.1.128.1A	Nut		2
	24	349.1.079.1A	Spring seat retainer		2
	25	349.1.132.1A	Damper tube		2
	26	349.1.133.1A	Flexible collar		2
	27	349.1.075.1A	Ring		2


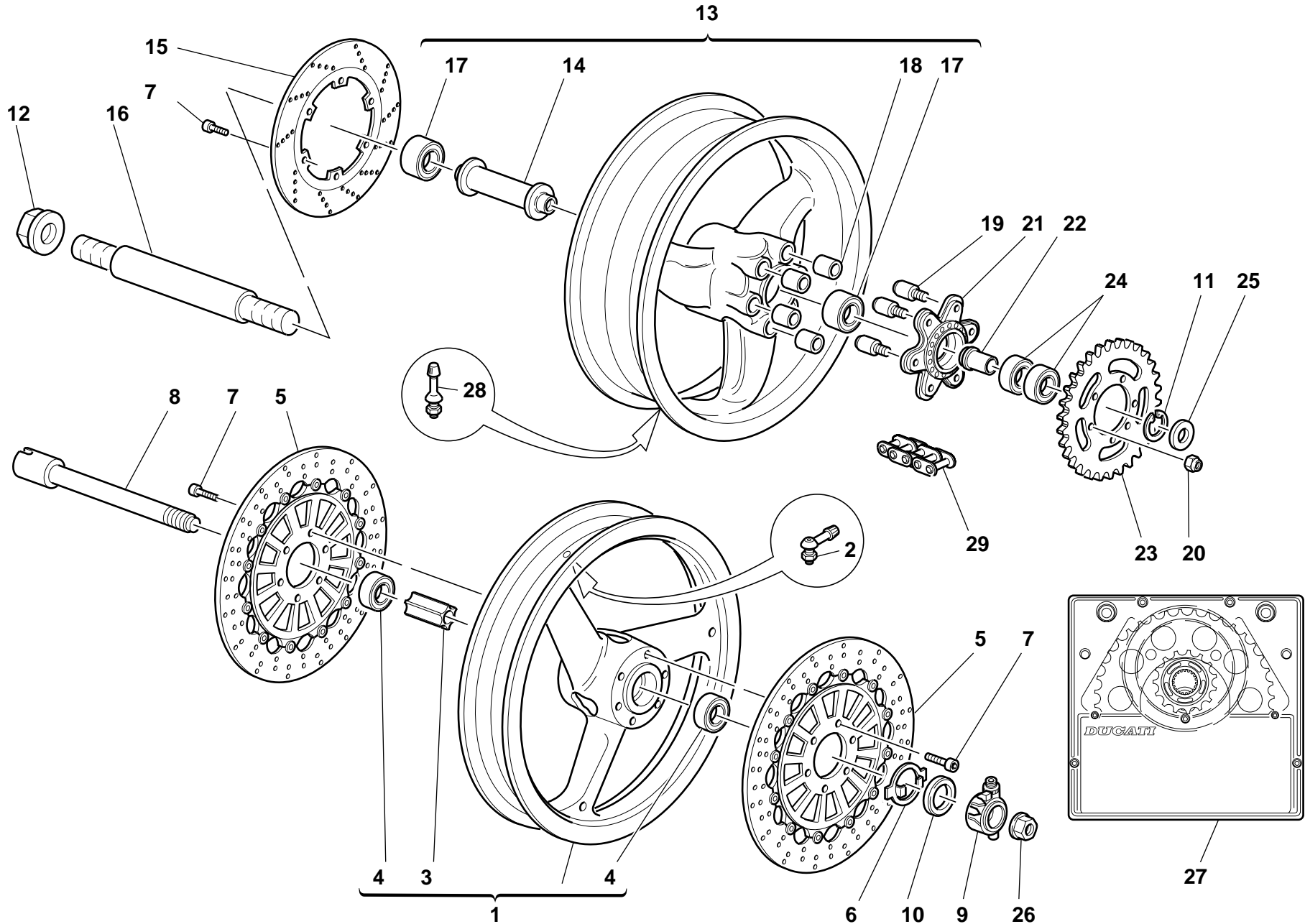
NOTES	NO.	CODE NO.	DESCRIPTION	VALIDITY	Q.TY 
	28	366.1.035.1A	Spring		2
	29	741.1.022.1A	R.H. clamp		2
	30	349.1.087.1A	O-ring		2
	31	349.2.008.1A	Complete cap		2
	32	349.1.103.1A	Bush		2
	33	349.1.104.1A	Bush		2
	34	349.1.075.1A	Centering ring		2
	35	741.1.021.1A	L.H. Clamp		2
	36	529.1.001.1A	Cat's eye		2

TAVOLA
DRAWING
TABLE
BILD
TABLA

25

FRONT AND REAR WHEELS



DRAWING **25** FRONT AND REAR WHEELS

NOTES	NO.	CODE NO.	DESCRIPTION	VALIDITY	Q.TY 
	1	501.2.019.1A	Front wheel rim		1
	2	497.2.001.2A	Valve		1
	3	714.1.028.1A	Inner spacer		1
	4	75162.2566	Bearing		2
	5	492.4.024.1A	Brake disc		2
	6	0000.62648	Relay drive ring		1
	7	771.5.721.2B	Screw		6
	8	819.1.017.1A	Front wheel spindle		1
	9	8000.74049	Speedometer transmission		1
	10	0000.64471	Seal ring		1
	11	884.4.001.1A	Snap ring		1
	12	748.1.008.1B	Nut		2
	13	502.2.022.1A	Rear wheel rim		1
	14	714.1.040.1A	Inner spacer		1
	15	492.4.003.1A	Brake disc		1
	16	819.1.028.1A	Rear wheel spindle		1
	17	75163.3268	Bearing		2
	18	700.1.005.1A	Vibration damper		6
	19	821.1.009.1B	Pin		6
	20	748.4.024.1A	Nut		6
	21	160.1.004.1B	Rear sprocket flange		1
	22	710.1.006.1A	Bush		1
	23	494.1.003.3A	Ring gear z=39		1
	24	75162.2566	Bearing		2
	25	713.1.032.1A	Spacer		1
	26	748.1.014.1B	Fork nut		1
	27	676.2.035.1A	Final drive kit		1


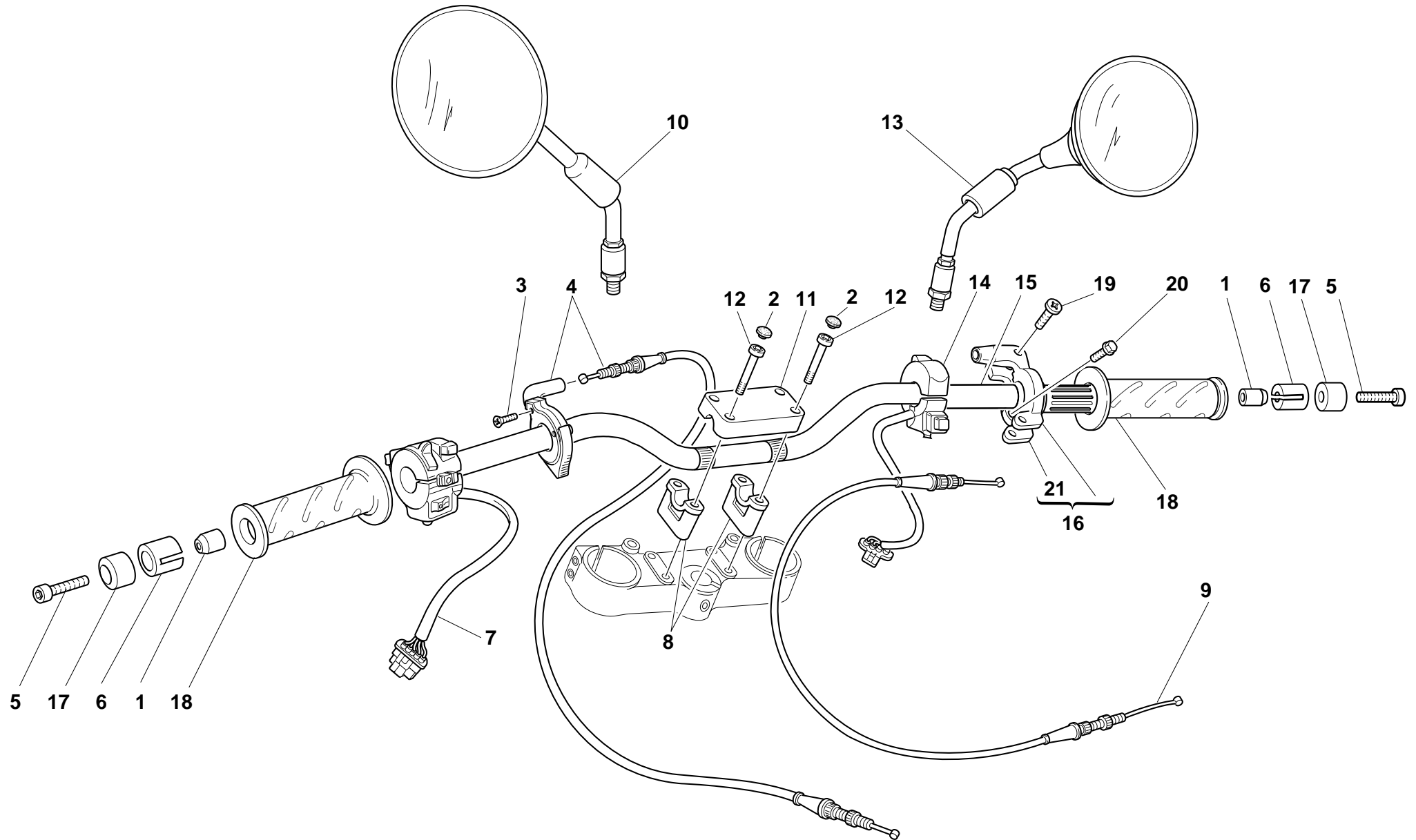
NOTES	NO.	CODE NO.	DESCRIPTION	VALIDITY	Q.TY 
	28	0803.77.010	Valve		1
	29	676.4.003.3A	Chain (98 Links)		1


TAVOLA
DRAWING
TABLE
BILD
TABLA

26

HALF HANDLEBARS



DRAWING **26** HALF HANDLEBARS

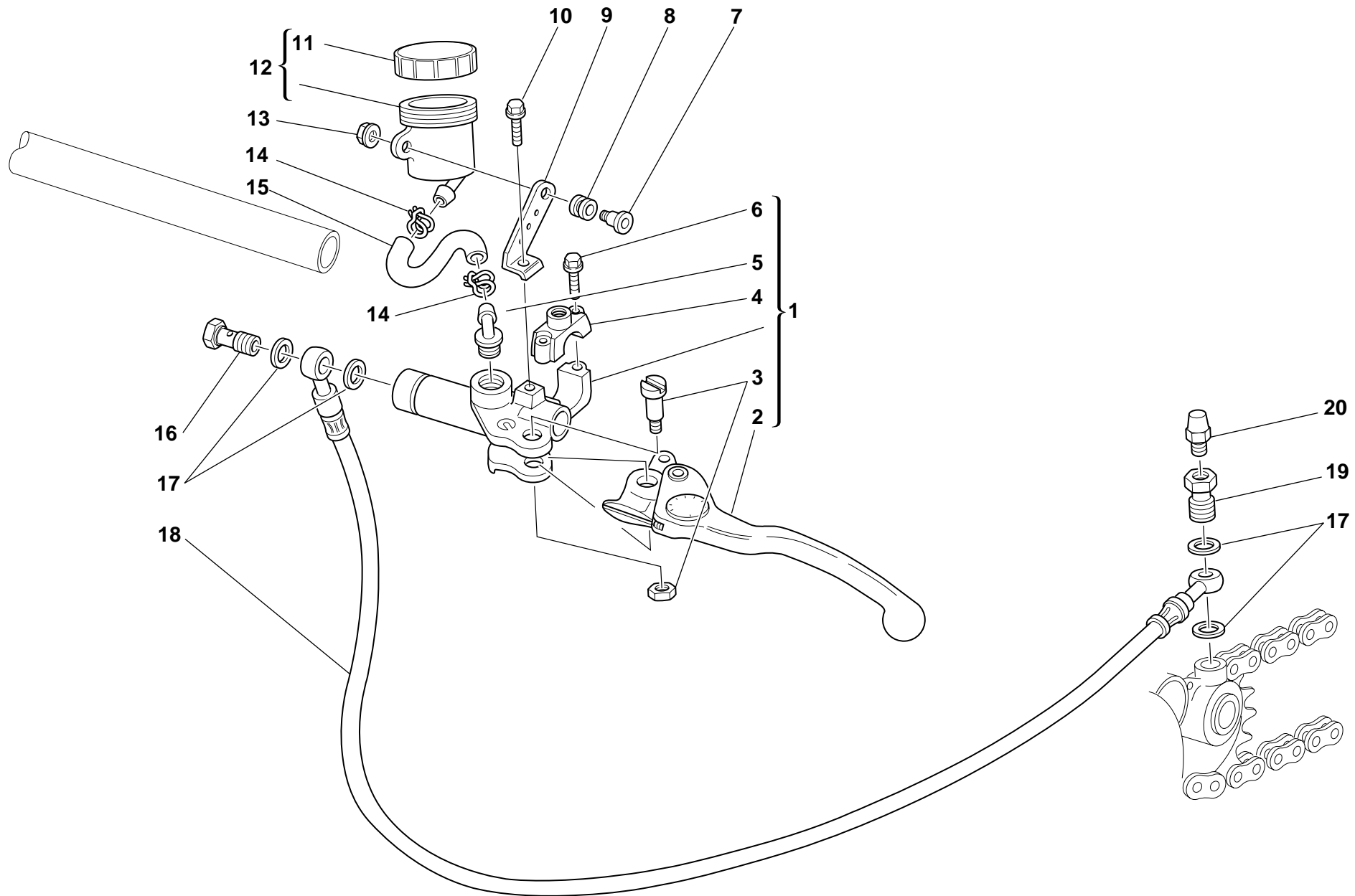
NOTES	NO.	CODE NO.	DESCRIPTION	VALIDITY	Q.TY 
	1	711.1.072.1A	Bush		2
	2	0659.37.040	Cap		4
	3	777.5.210.2A	Screw		2
	4	655.2.002.1A	Starter control transmission		1
	5	771.5.075.2B	Screw		2
	6	710.1.068.1A	Bush		2
	7	651.4.007.2A	L.H. switch		1
	8	360.1.010.1C	Stud bolt		2
	9	656.1.026.1A	Throttle control tube		1
	10	523.4.003.1C	L.H. rear-view mirror		1
	11	360.1.016.1C	Bracket		1
	12	771.5.001.2B	Screw		4
	13	523.4.002.1C	R.H. rear-view mirror		1
	14	650.4.006.2A	R.H. switch		1
	15	360.1.023.1B	Handlebar		1
	16	654.2.008.1A	Throttle control		1
	17	153.1.003.1A	Counterweight		2
	18	8000.78345	Grips pair		1
	19	8000.66774	Screw		1
	20	772.5.023.1A	Screw		2
	21	658.4.002.1B	Cover		1

NOTES	NO.	CODE NO.	DESCRIPTION	VALIDITY	Q.TY 
-------	-----	----------	-------------	----------	--


TAVOLA
DRAWING
TABLE
BILD
TABLA

27

CLUTCH CONTROL



DRAWING **27** **CLUTCH CONTROL**

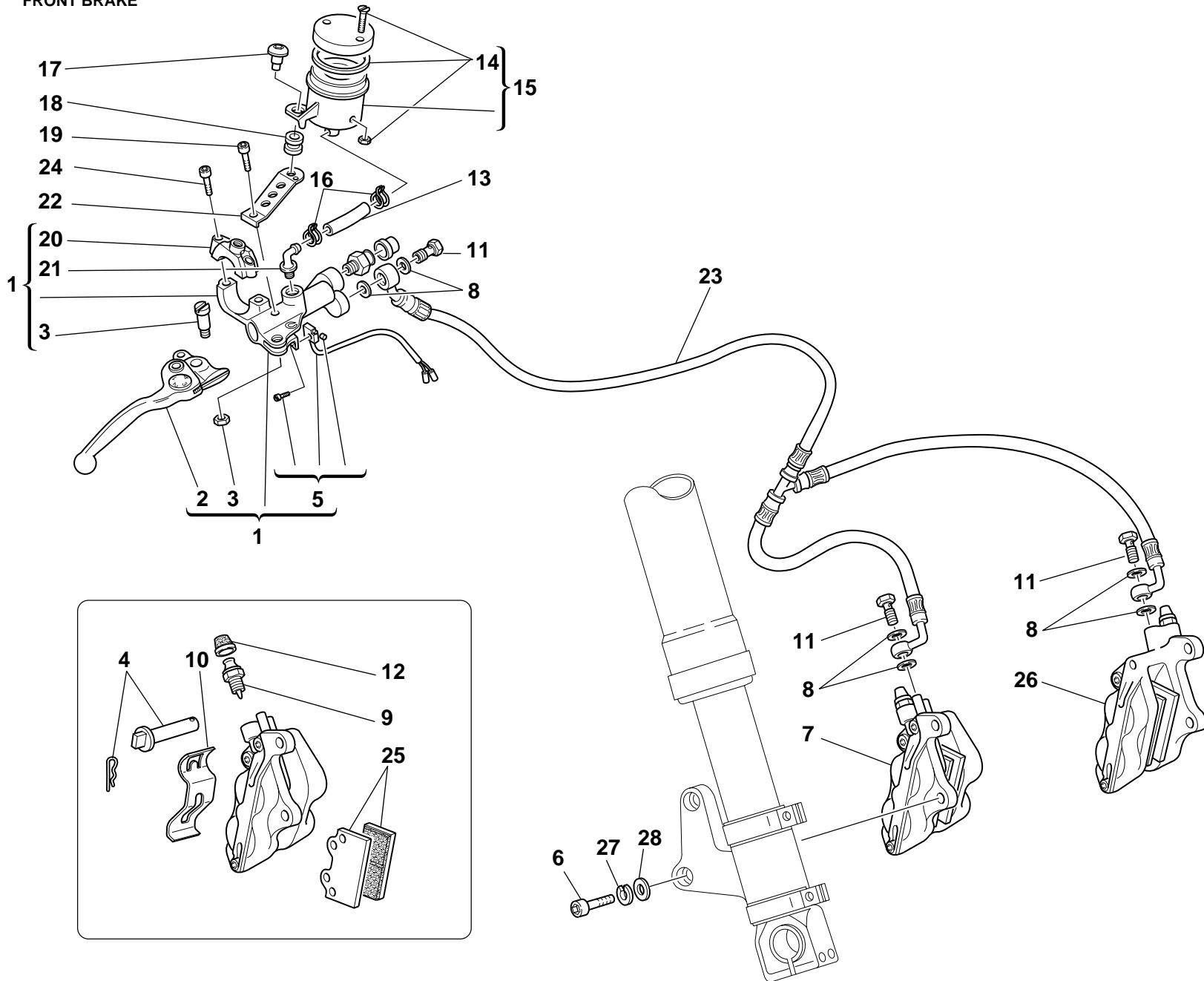
NOTES	NO.	CODE NO.	DESCRIPTION	VALIDITY	Q.TY 
	1	630.4.004.1D	Clutch drive pump		1
	2	631.4.009.1A	Lever with dowel		1
	3	626.4.009.1A	Spare lever pin		1
	4	626.4.015.1A	Spare bracket		1
	5	631.4.008.1A	Spare union		1
	6	771.5.669.2B	Screw		2
	7	779.1.092.1A	Screw		1
	8	0370.72.020	Vibration damper pad		1
	9	829.1.061.1C	Bracket		1
	10	70700.6N02	Screw		1
	11	893.4.005.1A	Cap		1
	12	0000.61078	Complete oil tank		1
	13	8000.56443	Nut		1
	14	741.4.043.1A	Clamp		2
	15	877.1.049.1A	Tube		1
	16	779.1.058.1A	Special screw		1
	17	420.2.001.0A	Copper gasket		4
	18	632.1.009.1L	Clutch control pipe (METAL PLAITED)		1
	19	779.1.082.1A	Filler		1
	20	0000.33552	Bleed		1

NOTES	NO.	CODE NO.	DESCRIPTION	VALIDITY	Q.TY 
-------	-----	----------	-------------	----------	--

TAVOLA
DRAWING
TABLE
BILD
TABLA

28

FRONT BRAKE



DRAWING **28** FRONT BRAKE

NOTES	NO.	CODE NO.	DESCRIPTION	VALIDITY	Q.TY 
	1	624.4.012.1C	Front brake pump		1
	2	626.4.007.1A	Lever with dowel		1
	3	626.4.009.1A	Spare lever pin		1
	4	612.4.014.1A	Spare pins and spring		2
	5	539.4.021.1A	Microswitch		1
	6	771.5.431.2B	Screw		4
	7	610.4.012.2B	R.H. brake caliper		1
	8	420.2.001.0A	Copper gasket		6
	9	631.4.004.1A	Spare bleed union		2
	10	612.4.017.1A	Spring		2
	11	779.1.058.1A	Special screw		3
	12	612.4.008.1A	Dust seal		1
	13	877.1.069.1A	Tube		1
	14	8000.68490	Spare cap		1
	15	0000.66181	Complete oil tank		1
	16	741.4.043.1A	Clamp		2
	17	779.1.092.1A	Screw		1
	18	0370.72.020	Vibration damper pad		1
	19	707006N02	Screw		1
	20	626.4.014.1A	Spare bracket		1
	21	631.4.008.1A	Spare union		1
	22	829.1.132.1B	Plate		1
	23	618.4.036.1B	Caliper pump pipe (METAL PLAITED)		1
	24	771.5.669.2B	Screw		2
	25	613.4.020.1A	Pads pair		2
	26	610.4.011.2B	L.H. brake caliper		1


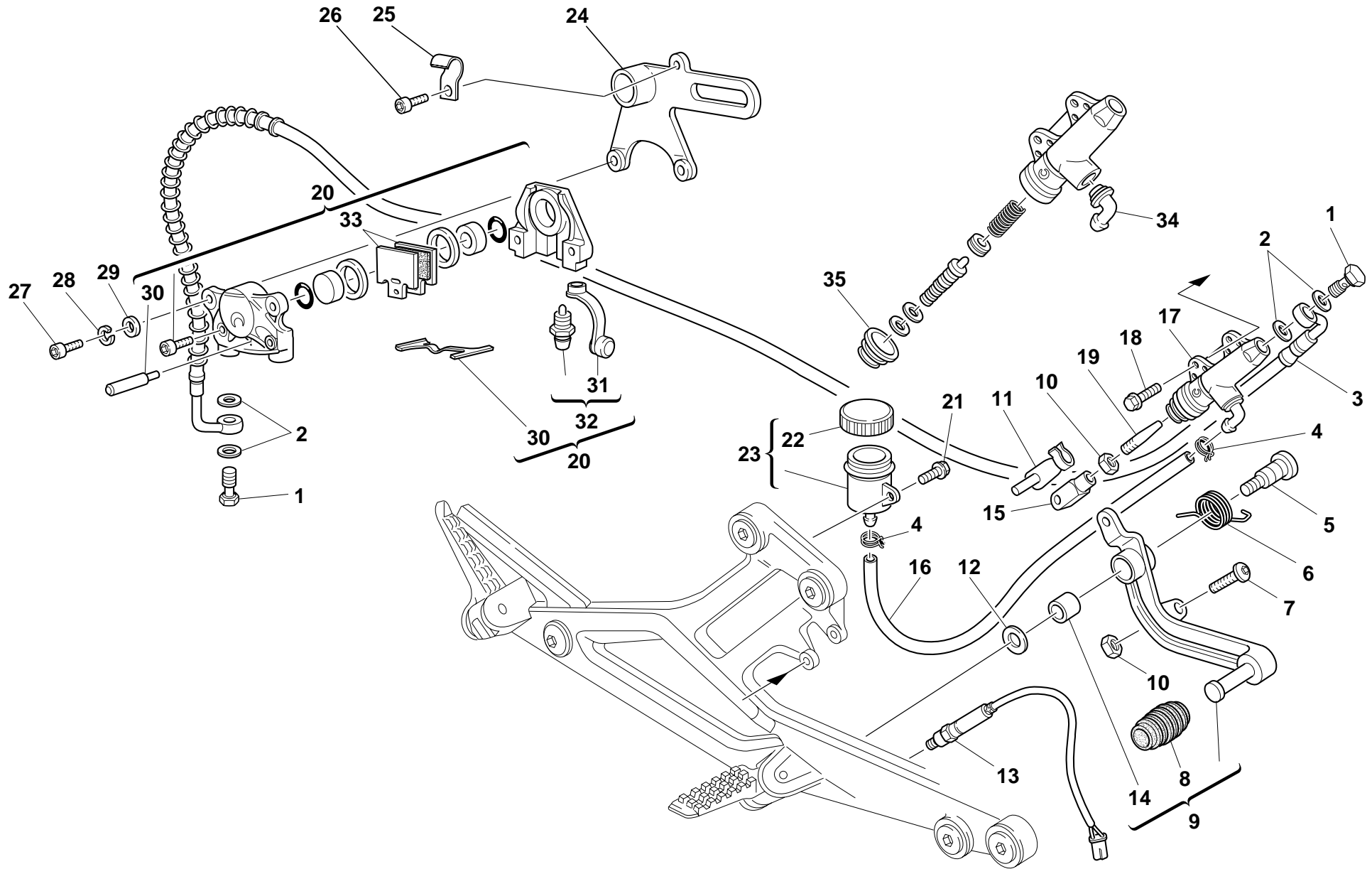
NOTES	NO.	CODE NO.	DESCRIPTION	VALIDITY	Q.TY 
	27	734010N01	Spring washer		4
	28	734310N01	Washer		4

TAVOLA
DRAWING
TABLE
BILD
TABLA

29

REAR BRAKE



DRAWING **29** REAR BRAKE

NOTES	NO.	CODE NO.	DESCRIPTION	VALIDITY	Q.TY 
	1	779.1.058.1A	Special screw		2
	2	420.2.001.0A	Copper gasket		4
	3	619.4.013.1E	Rear brake line (METAL PLAITED)		1
	4	741.4.043.1A	Clamp		2
	5	00A0.53548	Pin		1
	6	799.1.044.1A	Spring		1
	7	779.1.054.1AA	Special screw		1
	8	765.1.001.1A	Rubber pad		1
	9	457.2.007.1A	Brake control lever		1
	10	417.9.030.6A	Nut		2
	11	80A0.64617	Spring		1
	12	0000.59485	Washer		1
	13	539.4.003.1B	Switch		1
	14	0000.59056	Bush		1
	15	00A0.55757	Fork		1
	16	877.1.071.1A	Tube		1
	17	625.4.005.1AB	Rear brake pump		1
	18	772.5.023.1A	Screw		2
	19	0000.62586	Adjuster rod		1
	20	611.4.002.3A	Rear brake caliper		1
	21	772.5.025.1A	Screw		1
	22	893.4.005.1A	Cap		1
	23	585.4.001.1A	Complete oil tank		1
	24	825.1.018.1A	Plate		1
	25	827.1.087.1A	Plate		1
	26	60N102504	Screw		1
	27	771.5.723.2B	Screw		2


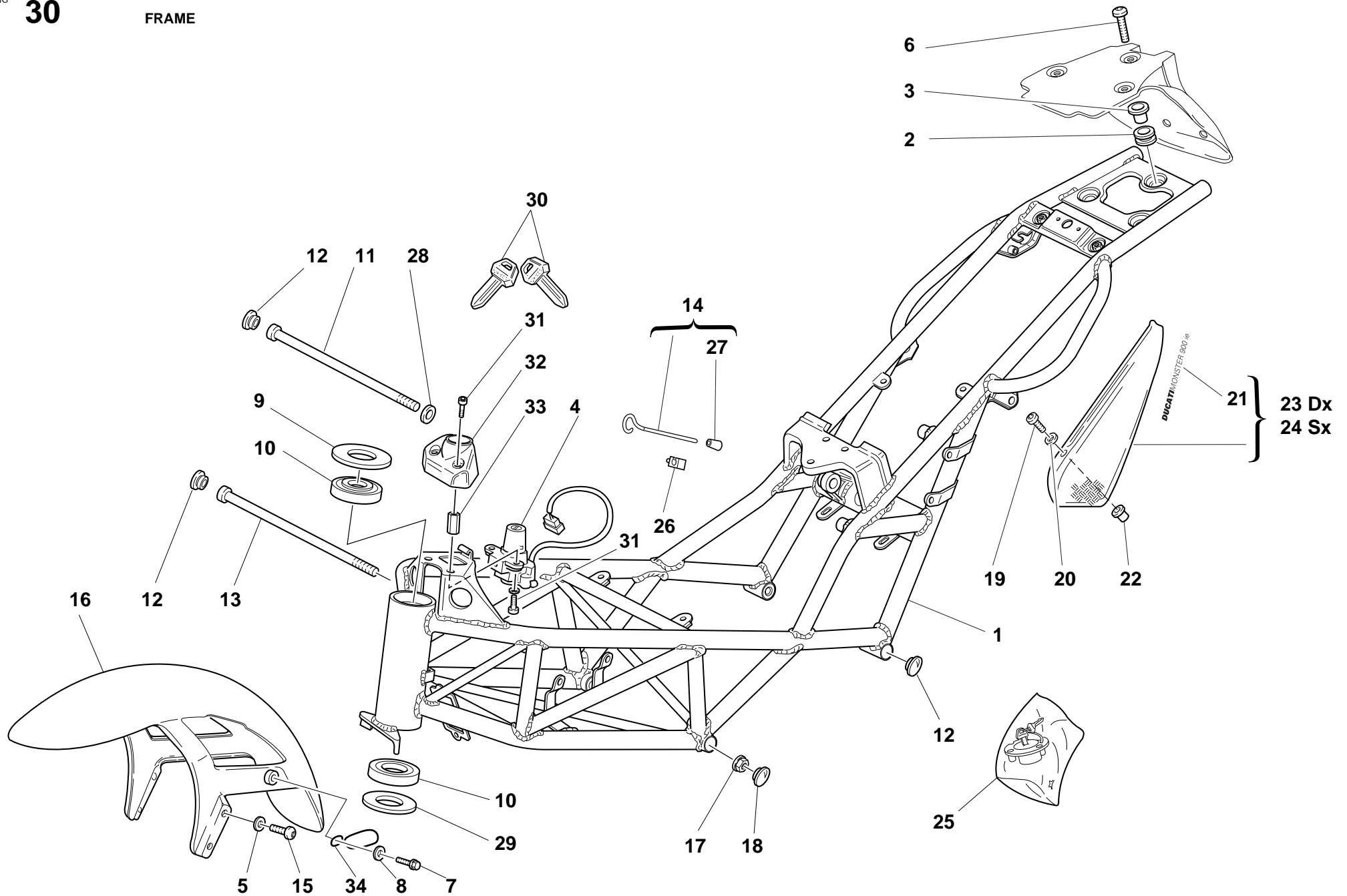
NOTES	NO.	CODE NO.	DESCRIPTION	VALIDITY	Q.TY 
	28	734008N01	Spring washer		2
	29	0670.80.010	Washer		2
	30	612.4.013.1A	Spare pins and spring		1
	31	612.4.008.1A	Dust seal		1
	32	0000.39727	Spare bleed union		1
	33	613.4.007.1A	Pads pair		1
	34	631.4.008.1A	Spare union		1
	35	626.4.013.1A	Dust cover		1

TAVOLA
DRAWING
TABLE
BILD
TABLA

30

FRAME



DRAWING **30** FRAME



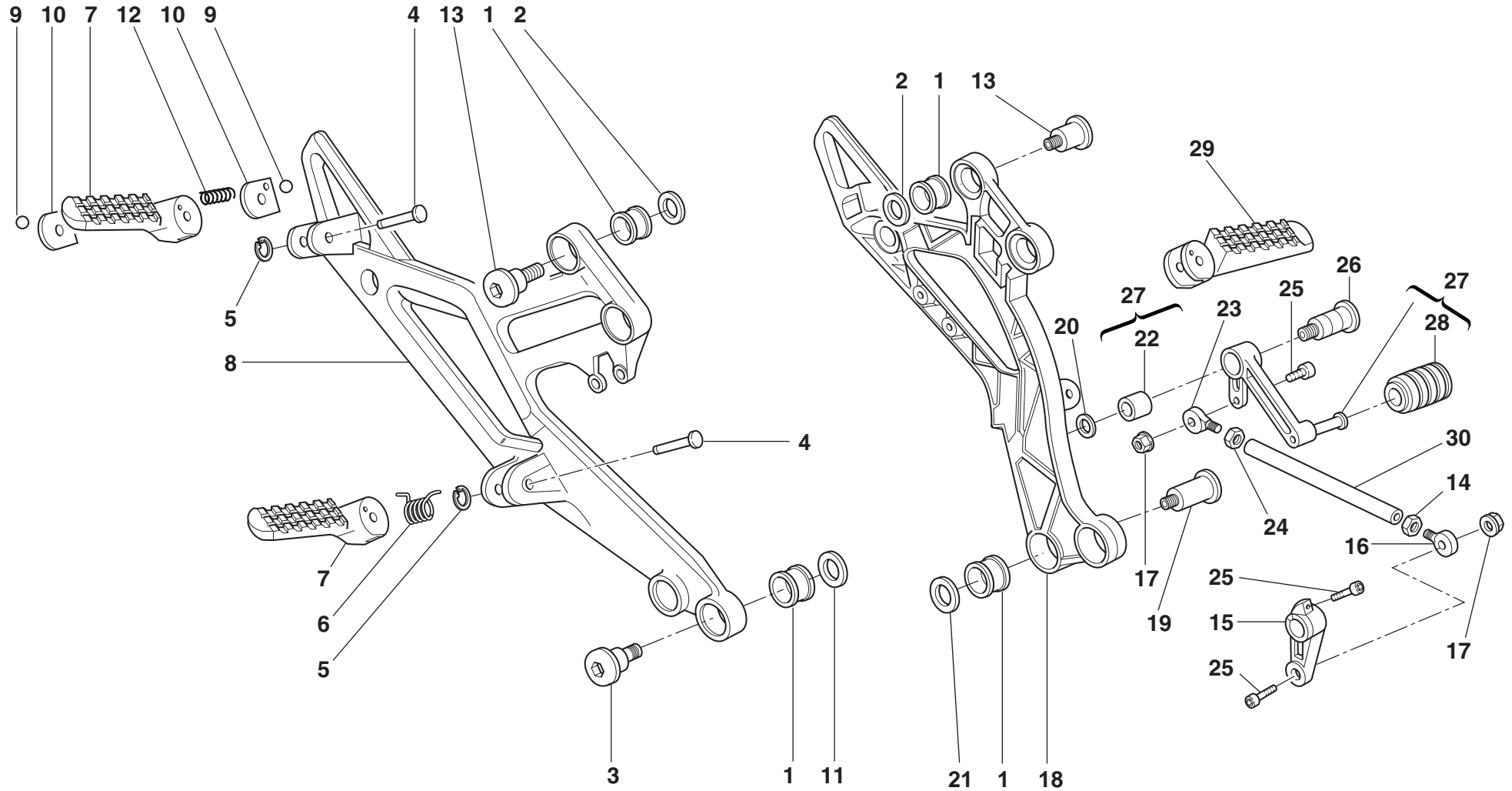
NOTES	NO.	CODE NO.	DESCRIPTION	VALIDITY	Q.TY 	NOTES	NO.	CODE NO.	DESCRIPTION	VALIDITY	Q.TY 
	1	470.1.045.1A	Frame (GOLD)		1	24	482.1.031.1AA	L.H. body panel			1
	2	764.1.029.1A	Rubber pad		4	25	598.2.029.1A	Locks kit			1
	3	0000.44099	Spacer		4	26	764.1.010.1A	Rubber pad			1
	4	652.4.004.3A	Key-operated switch		1	27	764.1.015.1A	Push rod			1
	5	856.1.042.1A	Nylon washer		4	28	734010N01	Spring washer			1
	6	772.5.023.1A	Screw		4	29	852.1.096.1A	Washer			1
	7	734306N01	Washer		1	30	598.4.011.1A	Wrench			1
	8	80B0.55703	Screw		1	31	771.5.064.2B	Screw			4
	9	0691.37.020	Special washer		1	32	246.1.010.1A	Cover			1
	10	0691.91.010	Bearing		1	33	713.1.086.1A	Spacer			2
	11	779.1.001.1A	Screw		1	34	758.1.020.1A	Fairlead			1
	12	872.1.002.1A	Cap		3						
	13	779.1.014.1A	Screw		1						
	14	117.2.027.1A	Rod		1						
	15	772.5.023.1A	Screw		4						
	16	564.1.029.1AC	Front mudguard (YELLOW)		1						
	16	564.1.029.1AB	Front mudguard (BLACK)		1						
	16	564.1.029.1AD	Front mudguard (GREY)		1						
	16	564.1.029.1AE	Front mudguard (BLUE)		1						
	16	564.1.029.1AA	Front mudguard (RED)		1						
	17	729910FF1	Nut		1						
	18	872.1.008.1A	Cap		1						
	19	775.1.002.1A	Screw		4						
	20	8000.63161	Washer		4						
	21	436.1.097.1FA	Sticker (DUCATI MONSTER 900)		2						
	22	8000.63150	Insert		4						
	23	482.1.033.1AA	R.H. body panel		1						

TAVOLA
DRAWING
TABLE
BILD
TABLA

31


GEARCHANGE LEVER - FOOT REST



DRAWING **31**

GEARCHANGE LEVER - FOOT REST

NOTES	NO.	CODE NO.	DESCRIPTION	VALIDITY	Q.TY 
	1	8000.60683	Vibration damper		8
	2	852.1.116.1A	Washer		4
	3	779.1.186.1A	Screw		2
	4	821.1.090.1A	Pin		4
	5	0170.91.730	Ring		4
	6	8000.60700	Spring		2
	7	464.1.017.1A	R.H. foot-rest		2
	8	824.1.024.1A	R.H. foot peg holder plate		1
	9	847.4.002.1A	Ball		2
	10	827.1.161.1A	Plate		2
	11	852.1.117.1A	Washer		2
	12	8000.62655	Spring		2
	13	8000.62568	Screw		4
	14	417.9.030.6A	Nut		1
	15	0370.69.020	Gearchange control lever		1
	16	76401.0002	Ball joint		1
	17	763106N01	El-stop nut		2
	18	824.1.023.1A	L.H. foot peg holder plate		1
	19	779.1.093.1A	Screw		2
	20	8000.59485	Washer		1
	21	716.1.056.1A	Spacer		1
	22	8000.59056	Bush		1
	23	76401.0003	Ball joint		1
	24	747.5.001.1A	L.H. nut		1
	25	779.5.001.1A	Screw		1
	26	80A0.53548	Pin		1
	27	456.2.009.1A	Gearchange lever		1

NOTES	NO.	CODE NO.	DESCRIPTION	VALIDITY	Q.TY 
	28	765.1.001.1A	Rubber pad		1
	29	464.1.018.1A	L.H. foot-rest		2
	30	117.1.028.1A	Gearbox transmission rod		1

DRAWING **32** REAR FORK

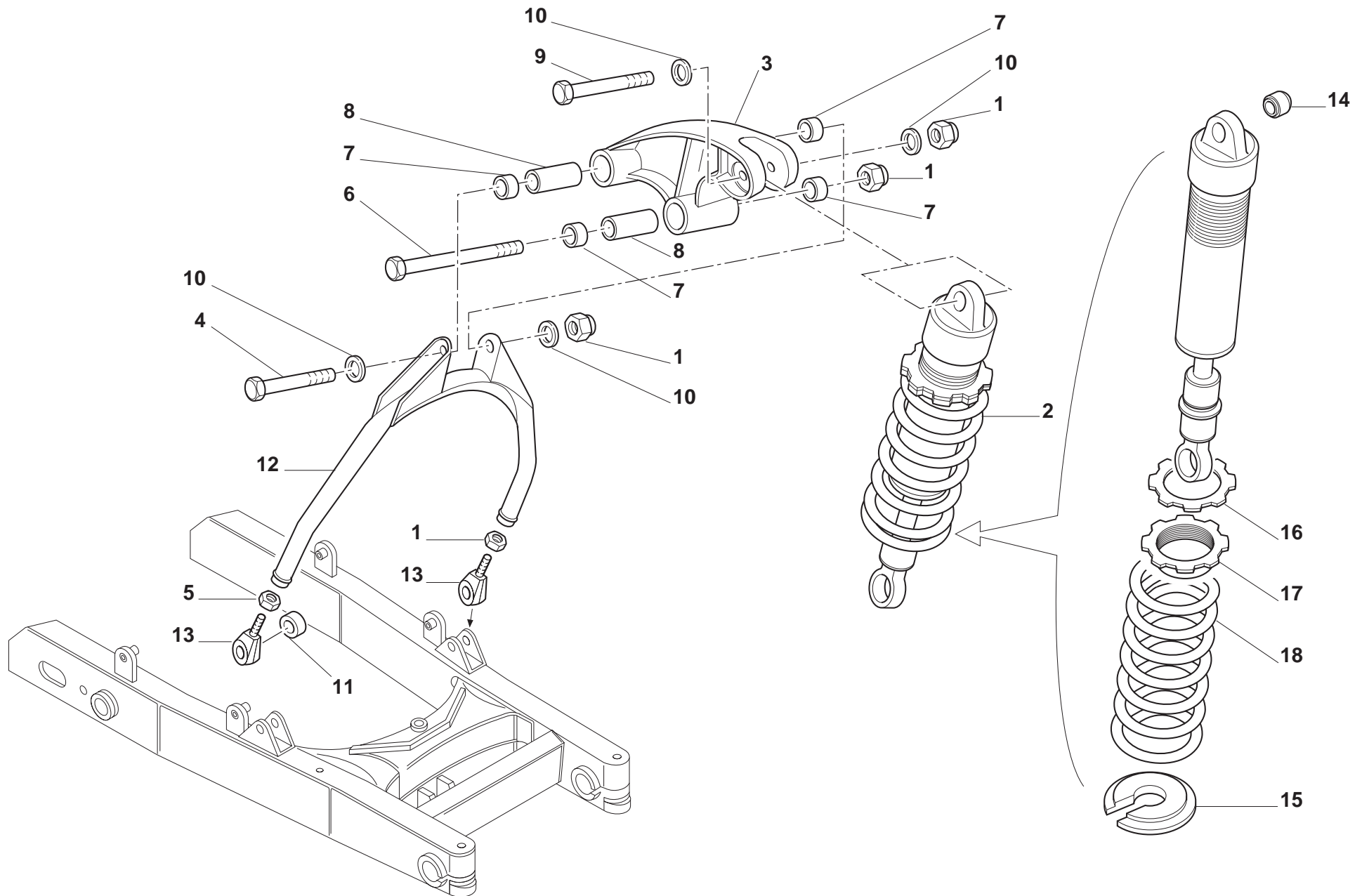
NOTES	NO.	CODE NO.	DESCRIPTION	VALIDITY	Q.TY 
	1	370.1.019.1B	Swingarm		1
	2	60N102584	Screw		2
	3	852.1.001.1A	Shim th. 1.8		2
	3	852.1.002.1A	Shim th. 0.2		2
	4	369.1.004.1A	Swingarm pivot		1
	5	872.1.019.1A	Cap		2
	6	771.1.001.1A	Special screw		1
	7	734310N01	Washer		1
	8	741.4.062.1A	Clip		1
	9	779.1.002.1B	Special screw		2
	10	8A00.67997	Screw		1
	11	729908FN1	Nut		2
	12	760.1.012.2A	Clip		1
	13	374.1.012.1A	Plate		2
	14	771.5.004.2B	Screw		2
	15	852.1.079.1A	Washer		2
	16	373.1.024.1B	Sliding shoe		2
	17	373.1.023.1B	Cover		2
	18	779.1.037.1A	Screw		2
	19	779.1.119.2A	Screw		9
	20	0670.92.190	Shim th. 2		2
	21	433.1.232.1A	Plate		1
	22	565.1.018.1A	Rear mudguard		1
	23	447.1.025.1AB	Lower chain sliding shoe		1
	24	884.4.007.1A	Snap ring		2
	25	763010N01	El-stop nut		1
	26	447.1.023.1AB	Upper chain sliding shoer		1

NOTES	NO.	CODE NO.	DESCRIPTION	VALIDITY	Q.TY 
-------	-----	----------	-------------	----------	--


TAVOLA
DRAWING
TABLE
BILD
TABLA

33

REAR SUSPENSION



DRAWING **33** REAR SUSPENSION

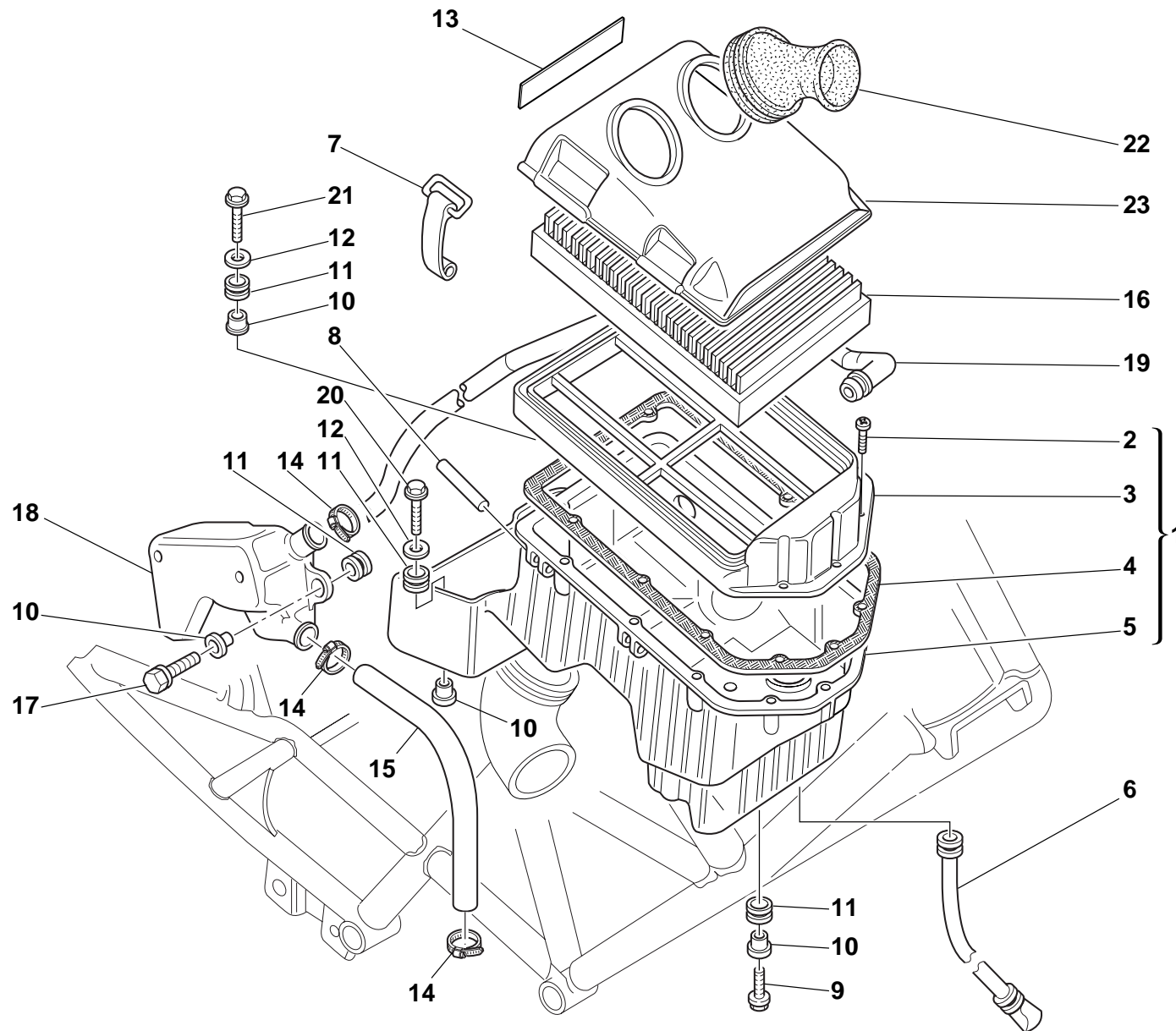
NOTES	NO.	CODE NO.	DESCRIPTION	VALIDITY	Q.TY 
	1	763010N01	El-stop nut		3
	2	365.2.018.1A	Shock absorber		1
	3	372.1.002.2A	Rocker assembly		1
	4	770.5.687.2C	Screw		1
	5	750.1.010.1A	Nut		2
	6	779.1.005.1A	Screw		1
	7	76400.1514	Needle bearing		4
	8	715.1.001.1A	Spacer		2
	9	70621.0150	Screw		1
	10	0670.59.010	Shim		5
	11	712.1.008.1A	Bush		2
	12	371.1.003.2BA	Complete fork		1
	13	76401.0006	Ball joint		2
	14	366.1.020.1A	Ball joint		2
	15	366.1.019.1A	Spring seat		1
	16	366.1.016.1A	Ring nut		1
	17	366.1.017.1A	Ring nut		1
	18	366.1.018.1A	Spring		1

NOTES	NO.	CODE NO.	DESCRIPTION	VALIDITY	Q.TY 
-------	-----	----------	-------------	----------	--


TAVOLA
DRAWING
TABLE
BILD
TABLA

34

AIR INDUCTION - OIL
VENT



DRAWING **34** **AIR INDUCTION - OIL VENT**

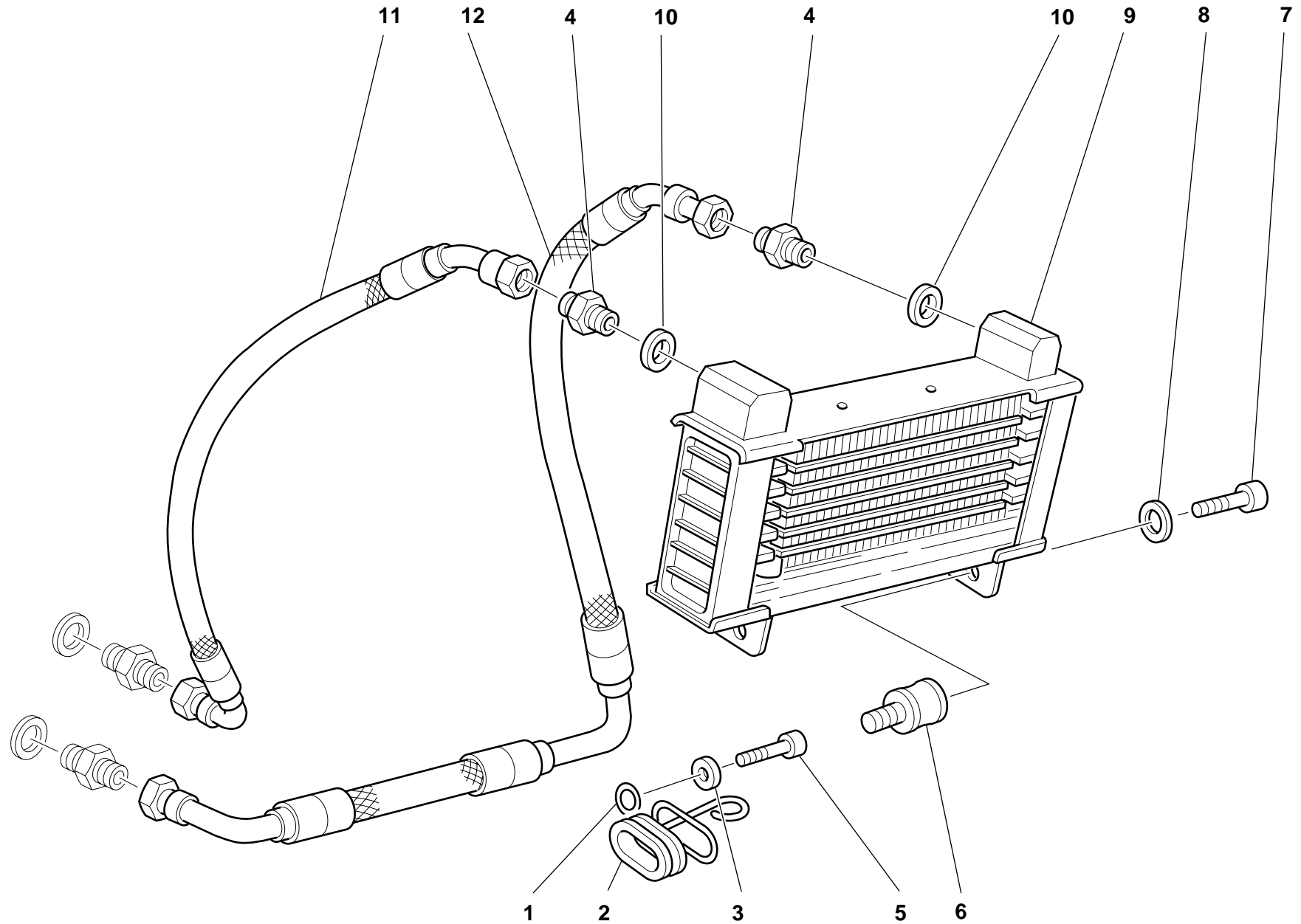
NOTES	NO.	CODE NO.	DESCRIPTION	VALIDITY	Q.TY 
	1	442.2.041.1B	Air filter box		1
	2	774.5.002.1A	Self-tapping screw		12
	3	442.1.007.2A	Upper half-case		1
	4	788.1.027.1A	Gasket		1
	5	442.1.042.1B	Lower half-case		1
	6	877.2.045.1A	Exhaust pipe		1
	7	760.1.003.1A	Hook		4
	8	74223.1045	Spring pin		4
	9	772.5.023.1A	Screw		1
	10	716.1.022.1A	Spacer		5
	11	8000.18048	Rubber pad		5
	12	852.5.003.1A	Washer		2
	13	432.1.305.1A	Plate		1
	14	741.4.002.1A	Clamp		3
	15	876.1.050.1A	Breather pipe		1
	16	0370.98.610	Filter element		1
	17	772.5.024.1A	Screw		2
	18	585.1.013.1A	Oil breather tank		1
	19	876.1.072.1A	Breather pipe		1
	20	60N102509	Screw		1
	21	60N102511	Screw		1
	22	135.1.008.2A	Air funnel		2
	23	246.1.046.1B	Filter case cover		1

NOTES	NO.	CODE NO.	DESCRIPTION	VALIDITY	Q.TY 
-------	-----	----------	-------------	----------	--


TAVOLA
DRAWING
TABLE
BILD
TABLA

35

OIL COOLER



DRAWING **35** OIL COOLER

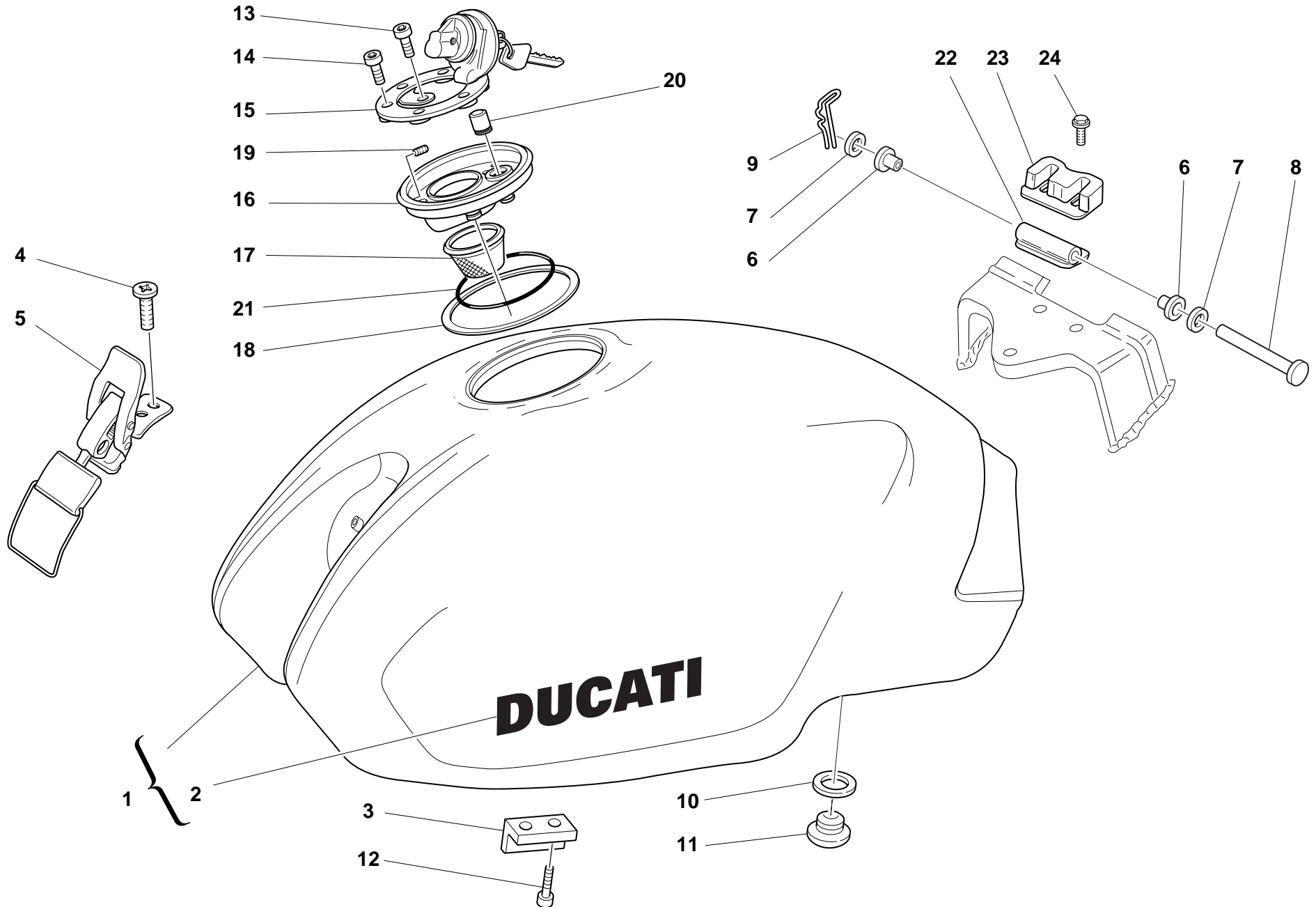
NOTES	NO.	CODE NO.	DESCRIPTION	VALIDITY	Q.TY 
	1	829.1.109.1A	Guide ring		1
	2	0797.41.090	Fairlead rubber ring		1
	3	734306N01	Washer		1
	4	815.1.005.1A	Nipple		2
	5	60N102511	Screw		1
	6	700.1.011.1A	Vibration damper		2
	7	707006N02	Screw		2
	8	841.1.001.1C	Retainer		2
	9	548.4.025.1A	Oil cooler		1
	10	220.2.017.6A	Aluminium gasket		2
	11	875.1.025.2B	Oil delivery pipe		1
	12	875.1.026.2B	Oil return pipe		1

NOTES	NO.	CODE NO.	DESCRIPTION	VALIDITY	Q.TY 
-------	-----	----------	-------------	----------	--

TAVOLA
DRAWING
TABLE
BILD
TABLA

36


FUEL TANK



DRAWING **36** FUEL TANK

NOTES	NO.	CODE NO.	DESCRIPTION	VALIDITY	Q.TY		NOTES	NO.	CODE NO.	DESCRIPTION	VALIDITY	Q.TY	
	1	586.1.031.1AA	Fuel tank (RED)		1		20	791.1.039.1A	Gasket			1	
	1	586.1.031.1AB	Fuel tank (BLACK)		1		21	886.4.011.1A	O-Ring			1	
	1	586.1.031.1AC	Fuel tank (YELLOW)		1		22	827.2.134.1A	Plate			1	
	1	586.1.031.1AD	Fuel tank (GREY)		1		23	866.1.037.1A	Pad			1	
	1	586.1.031.1AE	Fuel tank (BLUE)		1		24	772.5.023.1A	Screw			2	
	2	435.1.097.1AA	Sticker "DUCATI" (BLACK)		2								
	2	435.1.097.1AA	Sticker "DUCATI" (BLUE)		2								
	2	435.1.097.1AA	Sticker "DUCATI" (RED)		2								
	2	435.1.097.1AB	Sticker "DUCATI" (GREY)		2								
	2	435.1.097.1AB	Sticker "DUCATI" (YELLOW)		2								
	3	866.1.039.2A	Rubber pad		2								
	4	777.5.019.7E	Screw		2								
	5	760.4.006.1A	Hook		1								
	6	712.1.013.1A	Bush		2								
	7	80C0.05893	Shim		2								
	8	821.1.028.2B	Pin		1								
	9	8000.62705	Split pin		1								
	10	420.2.001.0A	Copper gasket		1								
	11	8000.77921	Screw		1								
	12	779.5.004.1A	Screw		2								
	13	771.5.040.2B	Screw		1								
	14	771.5.045.7E	Screw		3								
	15	895.4.001.2A	Tank cap		1								
	16	160.1.013.1B	Flange		1								
	17	802.1.005.1A	Hose		1								
	18	791.1.015.1A	Gasket		1								
	19	779.5.007.1A	Screw		8								

DRAWING **37** **FUEL SYSTEM**

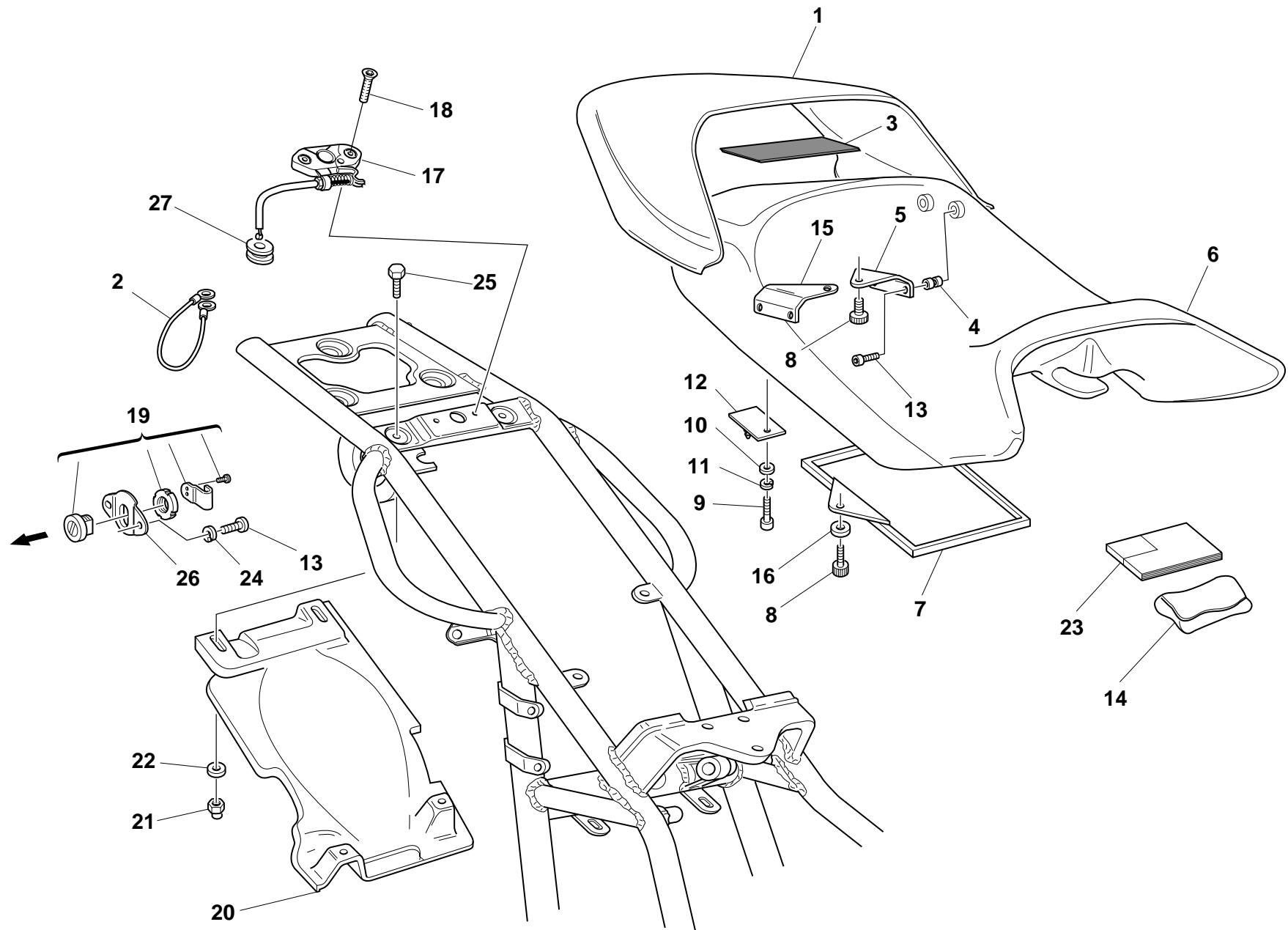
NOTES	NO.	CODE NO.	DESCRIPTION	VALIDITY	Q.TY 
	1	829.1.021.2A	Holder		1
	2	430.4.004.1A	Fuel pump		1
	3	884.4.012.1A	Circlip		1
	4	425.4.008.1A	Fuel filter		1
	5	592.1.005.2B	Low fuel sensor		1
	6	789.1.001.1A	Gasket		1
	7	741.4.008.2A	Clamp		4
	8	741.4.064.1A	Clamp		4
	9	590.1.127.1A	Tube		2
	10	590.1.125.1A	Tube		1
	11	590.1.126.1A	Tube		1
	12	425.4.004.1B	Fuel filter		1
	13	616.1.002.1A	Union		1
	14	590.1.107.1A	Tube		2
	15	590.1.135.1A	Tube		1

NOTES	NO.	CODE NO.	DESCRIPTION	VALIDITY	Q.TY 
-------	-----	----------	-------------	----------	--


TAVOLA
DRAWING
TABLE
BILD
TABLA

38


SEAT



DRAWING **38** SEAT

NOTES	NO.	CODE NO.	DESCRIPTION	VALIDITY	Q.TY	
	1	595.1.025.1BA	Red cover		1	
	1	595.1.025.1BB	Black cover		1	
	1	595.1.025.1BC	Yellow cover		1	
	1	595.1.025.1BD	Grey cover		1	
	1	595.1.025.1BG	Blue cover		1	
	1	595.3.025.1A	Cover for pillion rider seat (unpainted)		1	
	2	732.1.004.1A	Helmet anti-theft wire		1	
	3	791.1.021.1A	Gasket		1	
	4	850.4.016.1A	Threaded insert		6	
	5	827.1.097.1A	L.H. plate		1	
	6	595.1.036.1A	Seat padding		1	
	7	247.1.086.1A	Cover		1	
	8	779.1.104.1A	Special screw		3	
	9	779.5.010.1A	Screw		2	
	10	734306N01	Washer		2	
	11	734006N01	Spring washer		2	
	12	829.2.237.1A	Pin		1	
	13	60N102482	Screw		9	
	14	697.2.006.1B	Tool bag		1	
	15	827.1.096.1A	R.H. plate		1	
	16	8000.56391	Nylon washer		1	
	17	732.2.010.1A	Flexible cable		1	
	18	777.5.036.2B	Screw		2	
	19	598.2.019.1A	Seat lock		1	
	20	565.1.017.1A	Mudflap		1	
	21	8000.44240	Nut		4	
	22	0670.72.010	Washer		4	

CATALOGUE No.: **915.1.053.1C**
 ISSUED: **11 - 99**

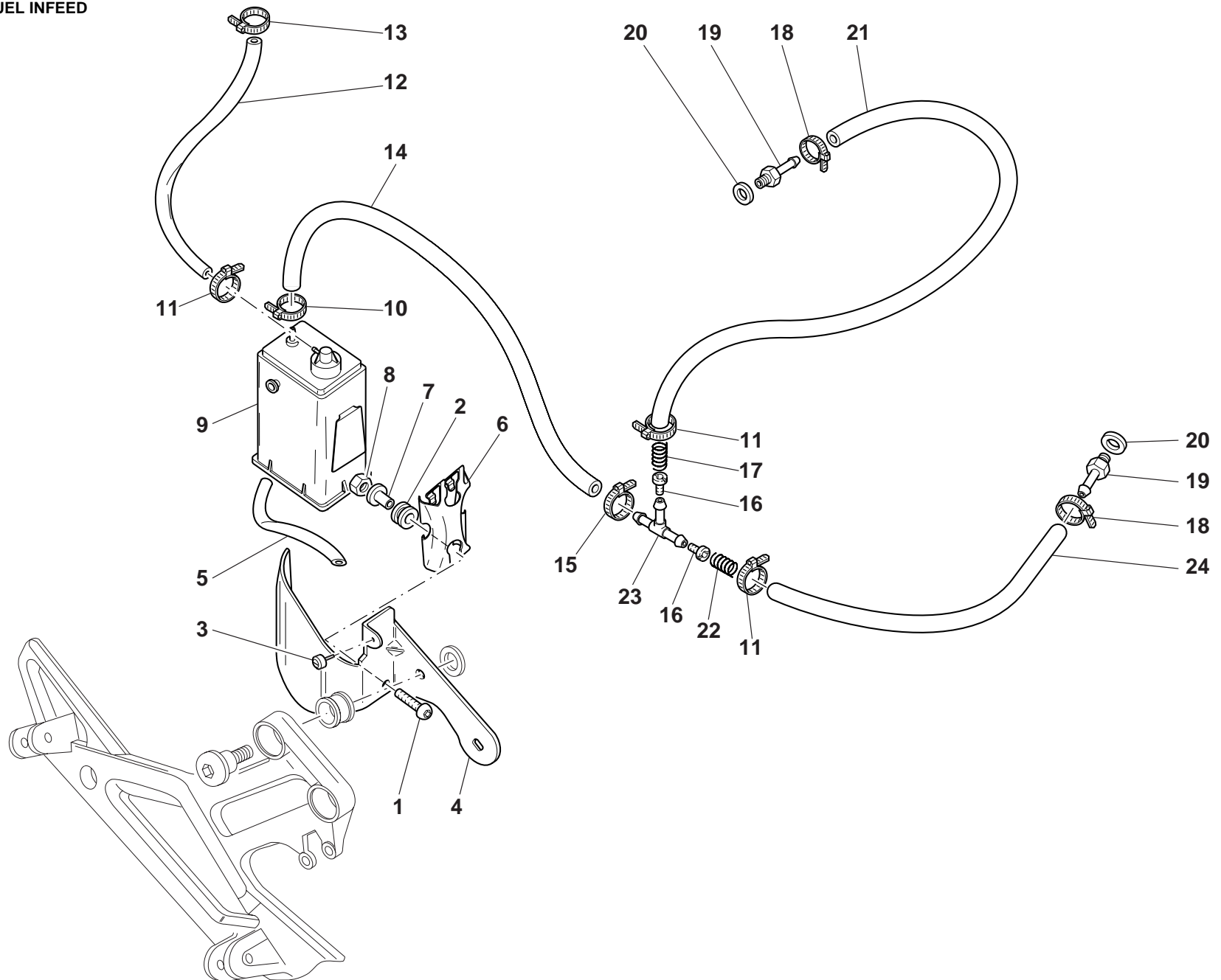
NOTES	NO.	CODE NO.	DESCRIPTION	VALIDITY	Q.TY	
	23	913.7.060.1A	Owner's manual		1	
	24	734005N01	Spring washer		2	
	25	60N101077	Screw		2	
	26	829.1.236.1A	Plate		1	
	27	764.1.029.1A	Rubber pad		1	

CATALOGUE No.: **915.1.053.1C**
 ISSUED: **11 - 99**

TAVOLA
DRAWING
TABLE
BILD
TABLA

39


FUEL INFEED



DRAWING

39

FUEL INFEED

NOTES	NO.	CODE NO.	DESCRIPTION	VALIDITY	Q.TY 
	1	779.1.008.1A	Screw		2
	2	0000.16132	Rubber pad		2
	3	8000.66308	Vibration damper pad		1
	4	827.1.186.1A	Bracket		1
	5	590.1.141.1A	Tube		1
	6	827.1.157.1A	Plate		1
	7	716.1.043.1A	Spacer		2
	8	0000.44240	Nut		2
	9	426.1.007.1B	CANISTER filter		1
	10	741.4.058.1A	Clamp		1
	11	741.4.063.1A	Clamp		3
	12	590.1.137.1A	Tube		1
	13	741.4.057.1A	Clamp		1
	14	590.1.138.1A	Tube		1
	15	741.4.059.1A	Clamp		1
	16	0615.27.143	Idling jet 50		2
	17	799.1.103.1A	Spring		1
	18	741.4.013.1B	Clamp		2
	19	0370.98.880	Union		2
	20	0250.70.223	Aluminium gasket		2
	21	590.1.140.1A	Tube		1
	22	799.1.105.1A	Spring		1
	23	0361.98.850	Shunt valve		1
	24	590.1.139.1A	Tube		1

NOTES	NO.	CODE NO.	DESCRIPTION	VALIDITY	Q.TY 
-------	-----	----------	-------------	----------	--

TAVOLA
DRAWING
TABLE
BILD
TABLA

40

MARKING PLATES

OBJECTS IN MIRROR ARE
CLOSER THAN THEY APPEAR
Cod.43311661A

2

CAUTION
NEVER FILL TANK SO FUEL LEVEL RISES INTO FILLER
NECK. IF TANK IS OVERFILLED, HEAT MAY CAUSE
FUEL TO EXPAND AND FLOW INTO EVAPORATIVE
EMISSION CONTROL SYSTEM RESULTING IN HARD
STARTING AND ENGINE HESITATION.
Cod.43311641A

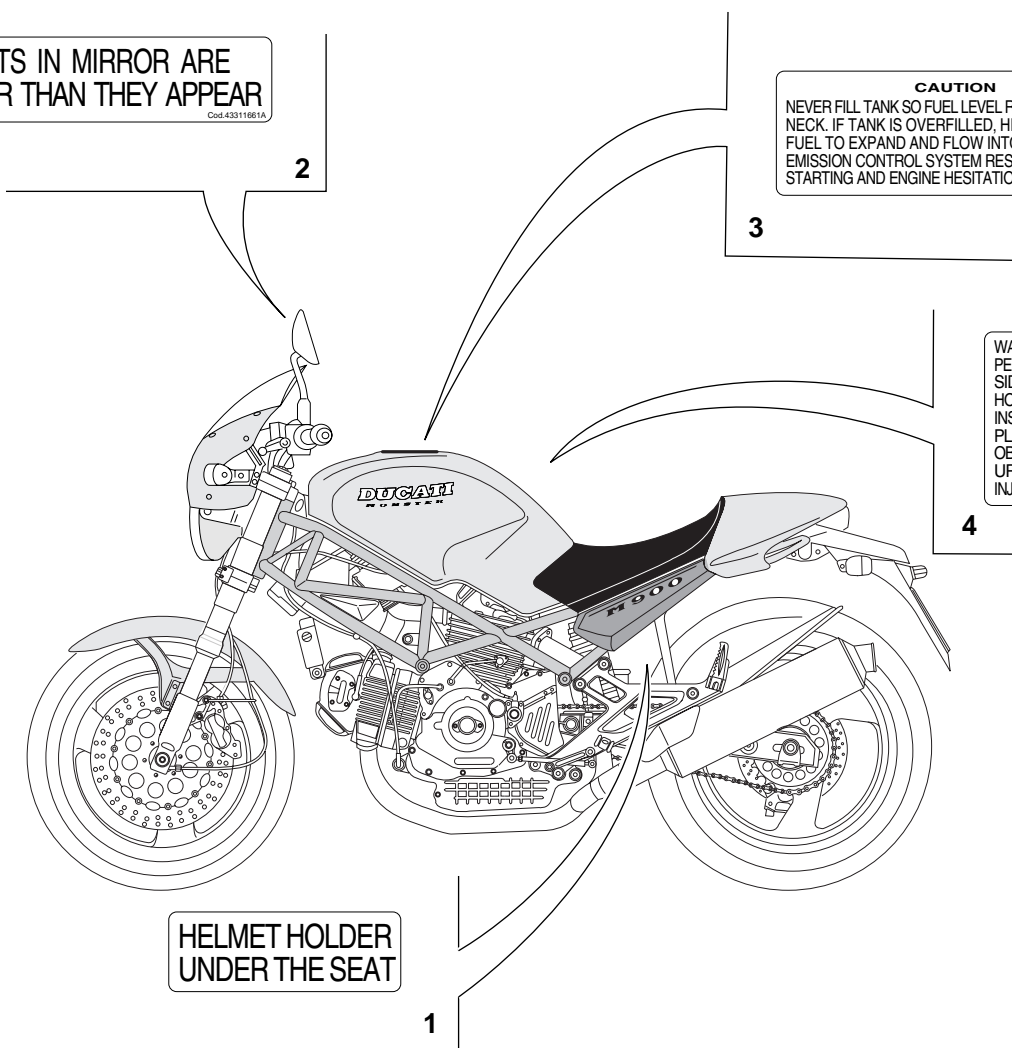
3

WARNING : YOUR DUCATI MOTORCYCLE IS EQUIP-
PED WITH A WARNING LIGHT FLASHING WHEN THE
SIDE STAND IS LOWERED (ON).
HOWEVER, IT IS THE RIDER'S RESPONSIBILITY TO
INSURE THAT THE SIDE STAND IS STOWED COM-
PLETELY BEFORE STARTING OUT. FAILURE TO
OBSERVE THIS WARNING COULD RESULT IN AN
UPSET AND CONSEQUENT SERIOUS BODILY
INJURY.

4

HELMET HOLDER
UNDER THE SEAT

1

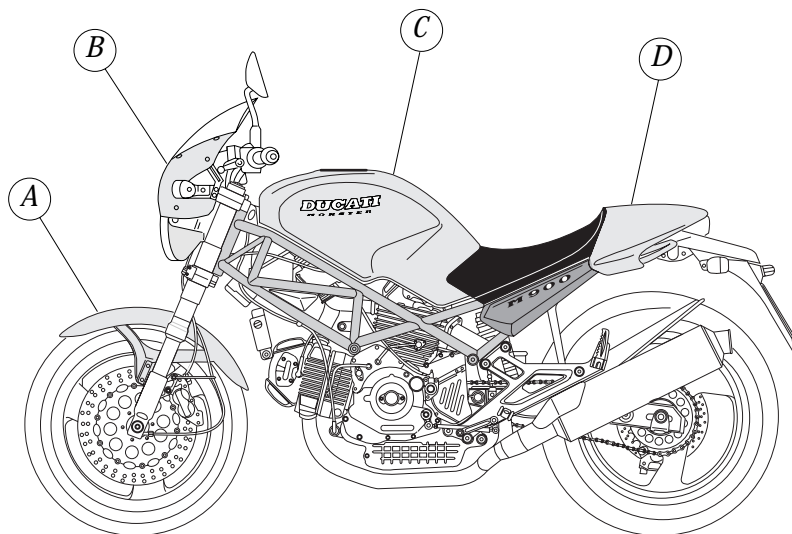


DRAWING **40** MARKING PLATES

NOTES	NO.	CODE NO.	DESCRIPTION	VALIDITY	Q.TY	
	1	433.1.170.1A	Sticker		1	
	2	433.1.166.1A	Label		2	
	3	433.1.164.1A	Sticker		1	
	4	439.1.002.1A	Sticker		1	

NOTES	NO.	CODE NO.	DESCRIPTION	VALIDITY	Q.TY	
-------	-----	----------	-------------	----------	------	---

PAINTS



Paint	Code	LECHLER	Code	SALCHI	Code	PPG
-------	------	---------	------	--------	------	-----

"Rosso Anniversary DUCATI" 473.101

"Grigio metallizzato DUCATI" 291.601

"Nero metallizzato DUCATI" 291.500

"Giallo DUCATI" 473.201

"Blu metallizzato DUCATI" 291.800

- A** Front fender
- B** Headlight fairing
- C** Fuel tank
- D** Tailseat cover

INDEX

CODE No.	Drwg.	POS. N.	CODE No.	Drwg.	POS. N.	CODE No.	Drwg.	POS. N.	CODE No.	Drwg.	POS. N.	CODE No.	Drwg.	POS. N.
0000.16132	039	2	0150.70.120	005	17	0400.16.190	013	14	0660.13.133	002	7	0670.16.185	003	15
0000.30326	020	10	0150.70.120	009	28	0400.17.030	004	36	0660.13.143	002	9	0670.17.395	014	23
0000.33552	027	20	0150.92.280	002	5	0400.17.030	007	1	0660.13.165	002	25	0670.17.395	015	23
0000.39727	029	32	0170.91.730	031	5	0400.29.040	008	11	0660.16.145	004	21	0670.49.310	009	26
0000.44099	023	8	0204.70.105	013	7	0400.29.125	002	34	0660.29.030	013	9	0670.49.910	009	21
0000.44099	030	3	0214.07.350	002	22	0400.29.126	002	34	0660.47.040	006	13	0670.59.010	033	10
0000.44119	001	15	0214.07.350	008	26	0400.29.126	013	17	0660.49.053	009	17	0670.72.010	018	15
0000.44120	001	16	0250.70.223	039	20	0400.49.240	005	13	0660.49.800	009	19	0670.72.010	038	22
0000.44240	018	25	0251.47.050	003	1	0400.49.240	011	18	0660.49.920	010	34	0670.80.010	029	29
0000.44240	039	8	0251.47.054	003	1	0404.02.390	020	4	0660.50.020	012	8	0670.92.010	010	8
0000.56803	018	36	0272.91.090	002	8	0504.03.085	002	5	0660.70.065	009	4	0670.92.190	014	8
0000.59056	029	14	0335.03.465	016	25	051.2.001.1A	001	3	0660.92.183	014	16	0670.92.190	015	8
0000.59485	029	12	0361.98.850	039	23	0615.27.143	039	16	0660.92.183	015	18	0670.92.190	032	20
0000.61078	027	12	0370.29.350	008	20	0619.47.030	006	12	0660.92.240	014	15	0675.03.210	001	17
0000.62586	029	19	0370.49.250	010	22	0619.50.065	012	17	0660.92.240	015	10	0675.49.540	005	24
0000.62648	025	6	0370.69.020	031	15	0619.84.015	020	2	0660.92.310	013	18	0691.37.020	030	9
0000.63150	018	34	0370.72.020	027	8	0619.92.180	014	8	0665.49.680	005	8	0691.91.010	030	10
0000.64471	025	10	0370.72.020	028	18	0619.92.180	015	8	0670.16.145	003	7	0691.91.030	018	16
0000.66181	028	15	0370.84.005	020	1	0647.29.040	012	15	0670.16.150	003	3	0723.92.239	014	19
0000.66526	018	37	0370.92.050	013	12	0647.70.010	014	12	0670.16.155	003	19	0723.92.239	015	16
0000.66527	018	38	0370.98.610	034	16	0647.70.010	015	20	0670.16.163	003	11	0723.92.500	14	19
0000.70139	001.1	2	0370.98.880	039	19	0659.16.558	004	1	0670.16.164	003	11	0723.92.500	15	16
0011.52.010	010	23	0375.92.170	014	14	0659.37.040	026	2	0670.16.164	003	15	0723.92.501	14	19
00A0.53548	029	5	0375.92.170	015	17	0659.38.226	022	15	0670.16.165	003	15	0723.92.501	15	16
00A0.55757	029	15	0375.92.210	014	13	0660.13.045	002	15	0670.16.170	003	26	0723.92.502	14	19
0124.40.050	012	9	0375.92.210	015	19	0660.13.060	002	19	0670.16.171	003	26	0723.92.502	15	16
0124.40.060	008	12	0400.09.050	002	21	0660.13.070	002	13	0670.16.184	003	15	0723.92.503	14	19

INDEX

CODE No.	Drwg.	POS. N.	CODE No.	Drwg.	POS. N.	CODE No.	Drwg.	POS. N.	CODE No.	Drwg.	POS. N.	CODE No.	Drwg.	POS. N.
0723.92.503	15	16	0723.92.517	14	19	0723.92.530	15	16	0723.92.675	14	19	0727.92.055	15	14
0723.92.504	14	19	0723.92.517	15	16	0723.92.535	14	19	0723.92.675	15	16	0727.92.056	14	17
0723.92.504	15	16	0723.92.518	14	19	0723.92.535	15	16	0723.92.685	14	19	0727.92.056	15	14
0723.92.505	14	19	0723.92.518	15	16	0723.92.545	14	19	0723.92.685	15	16	0727.92.057	14	17
0723.92.505	15	16	0723.92.519	14	19	0723.92.545	15	16	0723.92.695	14	19	0727.92.057	15	14
0723.92.506	14	19	0723.92.519	15	16	0723.92.555	14	19	0723.92.695	15	16	0727.92.058	14	17
0723.92.506	15	16	0723.92.520	14	19	0723.92.555	15	16	0723.92.705	14	19	0727.92.058	15	14
0723.92.507	14	19	0723.92.520	15	16	0723.92.565	14	19	0723.92.705	15	16	0727.92.059	14	17
0723.92.507	15	16	0723.92.521	14	19	0723.92.565	15	16	0723.92.715	14	19	0727.92.059	15	14
0723.92.508	14	19	0723.92.521	15	16	0723.92.575	14	19	0723.92.715	15	16	0727.92.060	14	17
0723.92.508	15	16	0723.92.522	14	19	0723.92.575	15	16	0723.92.725	14	19	0727.92.060	15	14
0723.92.509	14	19	0723.92.522	15	16	0723.92.585	14	19	0723.92.725	15	16	0727.92.061	14	17
0723.92.509	15	16	0723.92.523	14	19	0723.92.585	15	16	0723.92.735	14	19	0727.92.061	15	14
0723.92.510	14	19	0723.92.523	15	16	0723.92.595	14	19	0723.92.735	15	16	0727.92.062	14	17
0723.92.510	15	16	0723.92.524	14	19	0723.92.595	15	16	0723.92.745	14	19	0727.92.062	15	14
0723.92.511	14	19	0723.92.524	15	16	0723.92.605	14	19	0723.92.745	15	16	0727.92.063	14	17
0723.92.511	15	16	0723.92.525	14	19	0723.92.605	15	16	0727.92.050	14	17	0727.92.063	15	14
0723.92.512	14	19	0723.92.525	15	16	0723.92.615	14	19	0727.92.050	15	14	0727.92.064	14	17
0723.92.512	15	16	0723.92.526	14	19	0723.92.615	15	16	0727.92.051	14	17	0727.92.064	15	14
0723.92.513	14	19	0723.92.526	15	16	0723.92.625	14	19	0727.92.051	15	14	0727.92.065	14	17
0723.92.514	14	19	0723.92.527	14	19	0723.92.625	15	16	0727.92.052	14	17	0727.92.065	15	14
0723.92.514	17	16	0723.92.527	15	16	0723.92.635	14	19	0727.92.052	15	14	0727.92.066	14	17
0723.92.515	14	16	0723.92.528	14	19	0723.92.635	15	16	0727.92.053	14	17	0727.92.066	15	14
0723.92.515	14	19	0723.92.528	15	16	0723.92.645	14	19	0727.92.053	15	14	0727.92.067	14	17
0723.92.515	15	16	0723.92.529	14	19	0723.92.645	15	16	0727.92.054	14	17	0727.92.067	15	14
0723.92.516	14	19	0723.92.529	15	16	0723.92.655	14	19	0727.92.054	15	14	0727.92.068	14	17
0723.92.516	15	16	0723.92.530	14	19	0723.92.655	15	16	0727.92.055	14	17	0727.92.068	15	14

INDEX

CODE No.	Drwg.	POS. N.	CODE No.	Drwg.	POS. N.	CODE No.	Drwg.	POS. N.	CODE No.	Drwg.	POS. N.	CODE No.	Drwg.	POS. N.
0727.92.069	14	17	0727.92.082	15	14	0727.92.152	14	17	0727.92.165	15	14	0727.92.179	14	17
0727.92.069	15	14	0727.92.083	14	17	0727.92.152	15	14	0727.92.166	14	17	0727.92.179	15	14
0727.92.070	14	17	0727.92.083	15	14	0727.92.153	14	17	0727.92.166	15	14	0727.92.180	14	17
0727.92.070	15	14	0727.92.084	14	17	0727.92.153	15	14	0727.92.167	14	17	0727.92.180	15	14
0727.92.071	14	17	0727.92.084	15	14	0727.92.154	14	17	0727.92.167	15	14	0727.92.181	14	17
0727.92.071	15	14	0727.92.085	14	17	0727.92.154	15	14	0727.92.168	14	17	0727.92.181	15	14
0727.92.072	14	17	0727.92.085	15	14	0727.92.155	14	17	0727.92.168	15	14	0727.92.182	14	17
0727.92.072	15	14	0727.92.086	14	17	0727.92.155	15	14	0727.92.169	14	17	0727.92.182	15	14
0727.92.073	14	17	0727.92.086	15	14	0727.92.156	14	17	0727.92.169	15	14	0727.92.183	14	17
0727.92.073	15	14	0727.92.087	14	17	0727.92.156	15	14	0727.92.170	14	17	0727.92.183	15	14
0727.92.074	14	17	0727.92.087	15	14	0727.92.157	14	17	0727.92.170	15	14	0727.92.184	14	17
0727.92.074	15	14	0727.92.088	14	17	0727.92.157	15	14	0727.92.171	14	17	0727.92.184	15	14
0727.92.075	14	17	0727.92.088	15	14	0727.92.158	14	17	0727.92.171	15	14	0727.92.185	14	17
0727.92.075	15	14	0727.92.089	14	17	0727.92.158	15	14	0727.92.172	14	17	0727.92.185	15	14
0727.92.076	14	17	0727.92.089	15	14	0727.92.159	14	17	0727.92.172	15	14	0727.92.186	14	17
0727.92.076	15	14	0727.92.090	14	17	0727.92.159	15	14	0727.92.173	14	17	0727.92.186	15	14
0727.92.077	14	17	0727.92.090	15	14	0727.92.160	14	17	0727.92.173	15	14	0727.92.187	14	17
0727.92.077	15	14	0727.92.092	14	17	0727.92.160	15	14	0727.92.174	14	17	0727.92.187	15	14
0727.92.078	14	17	0727.92.092	15	14	0727.92.161	14	17	0727.92.174	15	14	0727.92.188	14	17
0727.92.078	15	14	0727.92.094	14	17	0727.92.161	15	14	0727.92.175	14	17	0727.92.188	15	14
0727.92.079	14	17	0727.92.094	15	14	0727.92.162	14	17	0727.92.175	15	14	0727.92.189	14	17
0727.92.079	15	14	0727.92.096	14	17	0727.92.162	15	14	0727.92.176	14	17	0727.92.189	15	14
0727.92.080	14	17	0727.92.096	15	14	0727.92.163	14	17	0727.92.176	15	14	0727.92.239	014	17
0727.92.080	15	14	0727.92.150	14	17	0727.92.163	15	14	0727.92.177	14	17	0727.92.239	015	14
0727.92.081	14	17	0727.92.150	15	14	0727.92.164	14	17	0727.92.177	15	14	0755.29.025	006	17
0727.92.081	15	14	0727.92.151	14	17	0727.92.164	15	14	0727.92.178	14	17	0755.29.025	008	21
0727.92.082	14	17	0727.92.151	15	14	0727.92.165	14	17	0727.92.178	15	14	0755.49.265	010	2

INDEX

CODE No.	Drwg.	POS. N.	CODE No.	Drwg.	POS. N.	CODE No.	Drwg.	POS. N.	CODE No.	Drwg.	POS. N.	CODE No.	Drwg.	POS. N.
0759.49.280	009	15	120.2.052.1A	007	8	172.1.006.1B	003	18	225.2.039.3B	010	1	254.4.001.1A	005	4
0765.92.185	014	8	121.1.040.1A	007	3	172.1.007.1B	003	24	235.1.007.3A	013	5	255.1.001.1B	008	15
0765.92.185	015	8	121.2.029.1B	007	11	172.1.008.1C	003	22	235.1.008.1A	013	11	255.1.004.1A	013	3
0765.92.190	014	8	122.2.050.1B	007	9	172.1.009.1C	003	21	235.2.015.1B	013	20	264.4.014.2B	011	1
0765.92.190	015	8	135.1.008.2A	034	22	172.1.010.1C	003	20	236.1.010.3A	004	26	270.4.001.1A	012	1
0765.92.205	002	21	137.1.003.1B	016	11	172.1.011.1C	003	23	240.1.010.1AA	014	10	276.1.025.2A	012	16
0765.92.205	014	8	145.2.034.1A	006	14	173.1.004.1A	012	20	240.1.010.1AA	015	12	280.4.007.1A	016	10
0765.92.205	015	8	146.2.061.1A	006	1	174.1.002.1A	009	3	240.1.012.1BA	015	24	282.4.022.1A	016	1
0795.37.120	024	10	147.1.015.1A	008	9	174.1.004.1A	009	12	242.2.033.1AB	011	19	283.4.003.1A	016	21
0796.38.305	022	11	148.1.066.1A	013	16	174.2.016.2A	009	1	243.1.025.1AC	005	1	284.4.002.1A	016	2
0797.41.090	022	22	148.1.067.1A	013	22	176.1.001.1A	012	6	243.2.004.1B	005	6	286.4.024.1A	019	11
0797.41.090	035	2	149.1.024.1A	003	25	176.1.002.1A	012	10	245.1.006.1AB	008	6	287.4.014.1A	018	13
0797.69.040	008	17	150.2.006.1A	003	2	180.1.001.1A	002	11	245.1.007.1AB	008	1	287.4.024.1B	016	8
0797.69.040	013	2	150.2.047.1A	003	27	180.1.002.1A	002	12	245.1.008.1AB	008	4	287.4.040.2A	019	13
0797.72.068	023	7	150.2.048.1A	003	28	180.1.008.1A	002	24	245.1.009.1AB	008	8	300160	015	25
0799.13.110	002	27	153.1.003.1A	026	17	182.2.006.2B	002	18	245.1.010.1AB	008	7	301.2.018.1BA	014	1
0803.77.010	025	28	158.2.002.2A	006	5	190.2.001.3A	004	8	246.1.010.1A	030	32	301.2.019.2BA	015	1
0805.17.125	007	7	160.1.004.1B	025	21	194.2.001.2A	004	12	246.1.046.1B	034	23	303.1.003.1A	014	4
0905.49.960	009	20	160.1.013.1B	036	16	195.2.002.1B	004	22	246.1.059.1A	018	7	303.1.003.1A	015	3
0960.91.130	019	16	160.1.057.1A	012	13	196.1.001.1B	004	10	247.1.002.1BB	011	9	303.1.003.1AB	014	4
112.1.001.1A	006	8	162.1.001.1B	004	7	198.1.027.1A	004	13	247.1.083.1AB	011	4	303.1.003.1AB	015	3
112.1.001.1AB	006	8	170.2.023.1A	004	17	210.1.003.5A	014	21	247.1.086.1A	038	7	303.1.003.1AC	014	4
112.1.001.1AC	006	8	171.2.013.1B	008	10	210.1.003.5A	015	6	247.1.098.2A	018	29	303.1.003.1AC	015	3
117.1.001.2A	004	29	172.1.002.1B	003	10	211.1.003.4A	014	22	247.1.104.1A	009	2	303.1.003.1AD	014	4
117.1.028.1A	031	30	172.1.003.1C	003	8	211.1.003.4A	015	7	247.1.125.1A	021	6	303.1.003.1AD	015	3
117.2.027.1A	030	14	172.1.004.1C	003	5	220.2.017.6A	035	10	250.2.030.2A	009	5	303.1.004.1C	014	5
120.2.051.1A	007	4	172.1.005.1C	003	9	220.3.208.3A	009	16	254.1.001.1A	011	7	303.1.004.1C	015	2

INDEX

CODE No.	Drwg.	POS. N.	CODE No.	Drwg.	POS. N.	CODE No.	Drwg.	POS. N.	CODE No.	Drwg.	POS. N.	CODE No.	Drwg.	POS. N.
303.1.004.1CB	014	5	349.1.101.1A	024	18	373.1.024.1B	032	16	420.2.000.7A	014	24	439.1.002.1A	040	4
303.1.004.1CB	015	2	349.1.102.1A	024	21	374.1.012.1A	032	13	420.2.000.8A	002	5	442.1.007.2A	034	3
303.1.004.1CC	014	5	349.1.103.1A	024	32	380.4.004.1B	018	32	420.2.001.0A	020	21	442.1.042.1B	034	5
303.1.004.1CC	015	2	349.1.104.1A	024	33	389.4.006.1A	018	20	420.2.001.0A	027	17	442.2.041.1B	034	1
303.1.004.1CD	014	5	349.1.124.1A	024	16	389.4.007.1A	018	8	420.2.001.0A	028	8	447.1.023.1AB	032	26
303.1.004.1CD	015	2	349.1.128.1A	024	23	389.4.008.1A	018	9	420.2.001.0A	029	2	447.1.025.1AB	032	23
304.1.005.2A	014	2	349.1.129.1A	024	15	389.4.010.1A	018	10	420.2.001.0A	036	10	449.1.035.1A	003	12
304.1.005.2A	015	5	349.1.130.1A	024	2	389.4.014.1A	018	19	420.2.006.2A	010	40	451.1.005.2A	008	24
304.1.005.2AB	014	2	349.1.131.1A	024	22	390.4.003.1A	023	22	420.2.006.4A	009	32	451.2.001.1A	008	23
304.1.005.2AB	015	5	349.1.132.1A	024	25	395.4.001.1A	019	14	420.2.006.4A	010	43	455.2.003.1A	002	4
304.1.005.2AC	014	2	349.1.133.1A	024	26	397.4.001.1A	019	3	425.4.004.1B	037	12	456.2.009.1A	031	27
304.1.005.2AC	015	5	349.2.008.1A	024	31	401.4.016.1A	021	4	425.4.008.1A	037	4	457.2.007.1A	029	9
304.1.006.2A	014	3	360.1.010.1C	026	8	402.4.011.1A	021	9	426.1.007.1B	039	9	462.3.003.7A	002	31
304.1.006.2A	015	4	360.1.016.1C	026	11	403.1.008.2A	021	15	430.4.004.1A	037	2	462.3.003.7A	008	22
304.1.006.2AB	014	3	360.1.023.1B	026	15	406.2.011.1B	021	1	432.1.305.1A	034	13	462.3.003.8A	002	29
304.1.006.2AB	015	4	365.2.018.1A	033	2	407.1.008.1A	021	11	433.1.028.1C	005	19	462.4.037.6A	009	11
304.1.006.2AC	014	3	366.1.016.1A	033	16	408.1.008.1A	021	3	433.1.164.1A	040	3	462.4.037.6A	019	1
304.1.006.2AC	015	4	366.1.017.1A	033	17	417.5.033.7A	013	23	433.1.166.1A	040	2	462.4.037.8A	009	9
340.2.111.1A	024	3	366.1.018.1A	033	18	417.6.016.8A	018	28	433.1.170.1A	040	1	463.2.019.6A	007	2
340.2.112.1A	024	1	366.1.019.1A	033	15	417.6.075.9A	005	3	433.1.232.1A	032	21	463.2.022.2A	016	14
341.1.017.2A	024	4	366.1.020.1A	033	14	417.6.082.9A	010	26	433.1.241.1A	018	6	463.2.053.7A	004	15
342.9.013.1A	024	7	366.1.035.1A	024	28	417.9.030.6A	029	10	435.1.097.1AA	036	2	463.4.026.9A	004	16
349.1.075.1A	024	27	369.1.004.1A	032	4	417.9.030.6A	031	14	435.1.097.1AA	036	2	463.4.047.7A	005	18
349.1.075.1A	024	34	370.1.019.1B	032	1	417.9.030.8A	024	9	435.1.097.1AA	036	2	463.7.022.6A	004	20
349.1.076.1A	024	17	371.1.003.2BA	033	12	417.9.050.6A	012	3	435.1.097.1AB	036	2	464.1.017.1A	031	7
349.1.079.1A	024	24	372.1.002.2A	033	3	417.9.050.6A	019	2	435.1.097.1AB	036	2	464.1.018.1A	031	29
349.1.087.1A	024	30	373.1.023.1B	032	17	420.2.000.7A	007	13	436.1.097.1FA	030	21	470.1.045.1A	030	1

INDEX

CODE No.	Drwg.	POS. N.	CODE No.	Drwg.	POS. N.	CODE No.	Drwg.	POS. N.	CODE No.	Drwg.	POS. N.	CODE No.	Drwg.	POS. N.
482.1.031.1AA	030	24	530.4.010.1A	023	10	570.1.020.1A	020	5	590.1.141.1A	039	5	60N102510	008	28
482.1.033.1AA	030	23	532.4.004.1A	022	10	571.1.018.2A	020	6	592.1.005.2B	037	5	60N102510	009	10
492.4.003.1A	025	15	532.4.004.1A	023	6	573.1.050.1A	020	12	593.1.003.1B	010	33	60N102510	011	6
492.4.024.1A	025	5	538.4.005.1A	018	11	574.1.050.1A	020	16	593.1.018.1A	009	29	60N102510	012	5
494.1.003.3A	025	23	539.1.023.1A	017	5	575.1.001.1AB	020	3	595.1.025.1BA	038	1	60N102510	022	24
497.2.001.2A	025	2	539.4.003.1B	029	13	576.1.021.1A	020	13	595.1.025.1BB	038	1	60N102511	011	17
501.2.019.1A	025	1	539.4.019.1A	005	16	576.1.022.1A	020	19	595.1.025.1BC	038	1	60N102511	018	14
502.2.022.1A	025	13	539.4.020.1A	002	6	585.1.013.1A	034	18	595.1.025.1BD	038	1	60N102511	034	21
510.1.075.1A	022	5	539.4.021.1A	028	5	585.4.001.1A	029	23	595.1.025.1BG	038	1	60N102511	035	5
510.1.076.1B	023	11	540.4.011.1C	018	31	586.1.031.1AA	036	1	595.1.036.1A	038	6	60N102557	024	6
510.1.150.1A	021	14	548.4.025.1A	035	9	586.1.031.1AB	036	1	595.3.025.1A	038	1	60N102558	024	13
510.3.131.1A	018	1	552.4.009.1A	011	25	586.1.031.1AC	036	1	598.2.019.1A	038	19	60N102584	032	2
514.1.025.2A	019	5	552.4.013.1A	015	32	586.1.031.1AD	036	1	598.2.029.1A	030	25	60N107335	004	28
516.4.001.1AB	018	23	552.4.028.1A	001.2	15	586.1.031.1AE	036	1	598.4.011.1A	030	30	60N107335	013	10
520.4.006.1C	022	1	556.1.018.1C	017	9	590.1.107.1A	037	14	60N101077	038	25	60N107335	022	25
521.4.005.1A	022	3	556.1.024.1A	017	3	590.1.125.1A	037	10	60N101079	010	15	60N107335	023	24
523.4.002.1C	026	13	556.2.027.1A	017	1	590.1.126.1A	037	11	60N102482	038	13	60N115506	021	17
523.4.003.1C	026	10	561.1.015.1A	023	1	590.1.127.1A	037	9	60N102504	029	26	60N115548	023	13
525.1.004.2A	023	5	561.1.017.1B	023	20	590.1.130.1A	016	18	60N102505	008	2	610.4.011.2B	028	26
525.4.007.2A	023	3	564.1.029.1AA	030	16	590.1.132.1A	016	16	60N102509	002	28	610.4.012.2B	028	7
526.4.003.1A	023	4	564.1.029.1AB	030	16	590.1.133.1A	016	7	60N102509	005	2	611.4.002.3A	029	20
529.1.001.1A	024	36	564.1.029.1AC	030	16	590.1.134.1A	016	17	60N102509	008	3	612.4.008.1A	028	12
529.1.006.1A	023	30	564.1.029.1AD	030	16	590.1.135.1A	037	15	60N102509	011	13	612.4.008.1A	029	31
529.1.009.1A	023	19	564.1.029.1AE	030	16	590.1.137.1A	039	12	60N102509	013	21	612.4.013.1A	029	30
530.4.007.1A	022	9	565.1.014.1D	023	25	590.1.138.1A	039	14	60N102509	022	6	612.4.014.1A	028	4
530.4.008.1A	022	16	565.1.017.1A	038	20	590.1.139.1A	039	24	60N102509	034	20	612.4.017.1A	028	10
530.4.009.1A	023	14	565.1.018.1A	032	22	590.1.140.1A	039	21	60N102510	005	5	613.4.007.1A	029	33

INDEX

CODE No.	Drwg.	POS. N.	CODE No.	Drwg.	POS. N.	CODE No.	Drwg.	POS. N.	CODE No.	Drwg.	POS. N.	CODE No.	Drwg.	POS. N.
613.4.020.1A	028	25	669.1.003.1A	015	15	70700.6208	007	14	713.1.014.1E	003	15	732.1.004.1A	038	2
616.1.002.1A	037	13	670.4.008.1A	018	39	70700.6N02	027	10	713.1.014.1F	003	11	732.2.010.1A	038	17
618.4.036.1B	028	23	672.1.006.1A	004	27	707006N02	028	19	713.1.032.1A	025	25	73270.8001	020	18
619.4.013.1E	029	3	672.1.013.1A	018	35	707006N02	035	7	713.1.086.1A	030	33	734005N01	003	29
624.4.012.1C	028	1	672.1.023.1A	019	17	707008N01	022	18	713.1.102.1A	018	26	734005N01	011	26
625.4.005.1AB	029	17	672.1.024.1A	019	18	70914.2121	020	17	713.1.137.1A	015	27	734005N01	038	24
626.4.007.1A	028	2	676.2.035.1A	025	27	710.1.001.1A	009	13	713.1.140.1A	010	14	734006N01	012	2
626.4.009.1A	027	3	676.4.003.3A	025	29	710.1.002.1A	004	33	714.1.028.1A	025	3	734006N01	038	11
626.4.009.1A	028	3	677.4.002.1A	001.1	4	710.1.005.2A	010	21	714.1.040.1A	025	14	734008N01	019	21
626.4.013.1A	029	35	680.1.001.1B	009	7	710.1.006.1A	025	22	715.1.001.1A	033	8	734008N01	029	28
626.4.014.1A	028	20	697.2.006.1B	038	14	710.1.032.1A	010	38	716.1.014.1B	018	2	734010N01	028	27
626.4.015.1A	027	4	700.1.005.1A	025	18	710.1.068.1A	026	6	716.1.022.1A	022	13	734010N01	030	28
630.4.004.1D	027	1	700.1.011.1A	035	6	711.1.006.1A	010	32	716.1.022.1A	034	10	734306N01	005	22
631.4.004.1A	028	9	700.1.026.1A	019	9	711.1.007.1A	006	6	716.1.043.1A	039	7	734306N01	010	37
631.4.008.1A	027	5	700.4.009.1A	021	16	711.1.033.1A	024	14	716.1.054.1A	020	22	734306N01	018	27
631.4.008.1A	028	21	701.4.003.1A	012	19	711.1.072.1A	010	39	716.1.055.1A	020	14	734306N01	022	23
631.4.008.1A	029	34	701.4.005.1A	003	4	711.1.072.1A	026	1	716.1.056.1A	031	21	734306N01	030	7
631.4.009.1A	027	2	701.4.007.1A	012	21	711.1.090.1A	020	20	72094.1616	010	10	734306N01	035	3
632.1.009.1L	027	18	702.5.008.1A	010	20	712.1.008.1A	033	11	72121.2106	006	4	734306N01	038	10
650.4.006.2A	026	14	702.5.008.1A	011	3	712.1.013.1A	036	6	723.1.003.1A	022	4	734310N01	028	28
651.4.007.2A	026	7	702.5.016.1A	004	14	713.1.006.1A	013	6	72944.1542	008	18	734310N01	032	7
652.4.004.3A	030	4	702.5.017.1A	010	12	713.1.011.1A	003	15	72944.1542	013	1	73500.1237	009	25
654.2.008.1A	026	16	703.1.019.1A	015	30	713.1.012.1B	004	31	729905FN1	023	16	73500.1237	012	7
655.2.002.1A	026	4	70610.8120	004	11	713.1.014.1A	003	11	729906FN1	023	12	73500.1440	012	11
656.1.026.1A	026	9	70620.5212	011	22	713.1.014.1A	003	15	729908FN1	016	15	73500.1542	002	35
658.4.002.1B	026	21	70620.5212	016	26	713.1.014.1B	003	11	729908FN1	032	11	73500.1747	015	26
669.1.003.1A	014	18	70621.0150	033	9	713.1.014.1E	003	11	729910FF1	030	17	73503.3075	005	11

INDEX

CODE No.	Drwg.	POS. N.	CODE No.	Drwg.	POS. N.	CODE No.	Drwg.	POS. N.	CODE No.	Drwg.	POS. N.	CODE No.	Drwg.	POS. N.
73503.3380	010	18	74172.1008	006	10	75166.1238	008	25	764.1.029.1A	038	27	771.5.072.2B	010	31
73503.3380	011	2	74172.1008	008	13	75173.1542	013	19	76400.0004	010	3	771.5.073.2B	011	16
73503.3449	016	22	74172.1008	013	15	75191.3380	010	29	76400.1514	033	7	771.5.075.2B	026	5
737.4.002.1A	008	19	74223.1045	034	8	75791.1747	010	9	76401.0002	031	16	771.5.078.2B	005	20
741.1.003.1A	020	8	74224.0570	004	34	75794.1542	010	17	76401.0003	031	23	771.5.078.2B	012	12
741.1.012.1A	018	17	74224.0570	006	7	758.1.014.1A	022	14	76401.0006	033	13	771.5.080.2B	010	27
741.1.013.1A	018	40	747.5.001.1A	031	24	758.1.020.1A	030	34	76402.0002	003	17	771.5.122.2B	002	30
741.1.021.1A	024	35	747.5.002.1A	021	13	759.1.006.1A	019	6	765.1.001.1A	029	8	771.5.122.2B	008	27
741.1.022.1A	024	29	748.1.008.1B	025	12	760.1.003.1A	034	7	765.1.001.1A	031	28	771.5.129.2B	009	8
741.4.002.1A	034	14	748.1.014.1B	025	26	760.1.012.2A	032	12	766.1.001.2B	010	6	771.5.136.2B	010	24
741.4.004.1A	016	5	748.4.024.1A	025	20	760.4.006.1A	036	5	76835.1134	002	10	771.5.268.2B	018	21
741.4.008.2A	037	7	748.4.026.1B	019	10	76266.2668	010	4	770.5.687.2C	033	4	771.5.431.2B	028	6
741.4.013.1B	039	18	749.4.045.2G	017	10	76267.0012	009	24	771.1.001.1A	032	6	771.5.617.2B	023	27
741.4.020.1A	023	2	749.5.001.1A	023	17	76270.0827	003	31	771.4.006.1A	011	14	771.5.669.2B	027	6
741.4.038.1A	018	18	750.1.002.1B	004	35	763010N01	032	25	771.5.001.2B	026	12	771.5.669.2B	028	24
741.4.040.1A	016	9	750.1.010.1A	033	5	763010N01	033	1	771.5.004.2B	032	14	771.5.721.2B	025	7
741.4.041.1A	016	6	750.1.012.2A	006	16	763106N01	031	17	771.5.040.0C	003	14	771.5.723.2B	029	27
741.4.042.1A	016	3	750.5.001.1A	002	23	764.1.001.1A	020	9	771.5.040.2B	008	5	771.5.754.2B	017	2
741.4.043.1A	027	14	750.5.001.1A	022	17	764.1.003.1B	004	6	771.5.040.2B	011	21	772.5.023.1A	018	24
741.4.043.1A	028	16	750.5.001.1A	023	9	764.1.009.1A	014	20	771.5.040.2B	036	13	772.5.023.1A	023	21
741.4.043.1A	029	4	75110.1747	013	8	764.1.009.1A	015	21	771.5.043.2B	004	4	772.5.023.1A	026	20
741.4.057.1A	039	13	75110.2054	013	13	764.1.010.1A	030	26	771.5.045.7E	036	14	772.5.023.1A	029	18
741.4.058.1A	039	10	75113.2566	004	18	764.1.013.1A	014	6	771.5.064.2B	011	5	772.5.023.1A	030	6
741.4.059.1A	039	15	75143.3380	010	25	764.1.013.1A	015	22	771.5.064.2B	030	31	772.5.023.1A	030	15
741.4.062.1A	032	8	75162.2566	025	4	764.1.015.1A	030	27	771.5.066.2B	014	11	772.5.023.1A	034	9
741.4.063.1A	039	11	75162.2566	025	24	764.1.029.1A	018	3	771.5.066.2B	015	13	772.5.023.1A	036	24
741.4.064.1A	037	8	75163.3268	025	17	764.1.029.1A	030	2	771.5.072.2B	005	23	772.5.024.1A	034	17

INDEX

CODE No.	Drwg.	POS. N.	CODE No.	Drwg.	POS. N.	CODE No.	Drwg.	POS. N.	CODE No.	Drwg.	POS. N.	CODE No.	Drwg.	POS. N.
772.5.025.1A	029	21	779.1.058.1A	029	1	787.1.008.1A	015	29	799.1.089.1A	017	6	8000.66308	039	3
774.4.001.1A	021	7	779.1.082.1A	027	19	787.1.009.1A	009	18	799.1.103.1A	039	17	8000.66774	026	19
774.5.002.1A	034	2	779.1.092.1A	027	7	788.1.003.1B	011	24	799.1.105.1A	039	22	8000.68490	028	14
77499.3421	010	19	779.1.092.1A	028	17	788.1.012.1A	011	24	799.2.077.1A	009	14	8000.74049	025	9
77499.3421	011	12	779.1.093.1A	031	19	788.1.013.1A	011	24	8000.18048	022	12	8000.77921	036	11
775.1.002.1A	030	19	779.1.098.1B	021	18	788.1.027.1A	034	4	8000.18048	034	11	8000.78345	026	18
775.1.006.1A	019	20	779.1.099.1A	024	8	788.1.032.2A	014	9	8000.20602	021	8	801.1.023.1A	016	12
775.1.013.1A	018	33	779.1.104.1A	038	8	788.1.032.2A	015	11	8000.36230	023	15	801.1.024.1A	016	4
776.4.002.1A	021	2	779.1.109.1A	006	2	788.1.052.1A	005	21	8000.36726	022	2	802.1.005.1A	036	17
777.5.019.7E	036	4	779.1.119.2A	032	19	788.1.054.1A	012	4	8000.36726	023	23	80A0.53548	031	26
777.5.036.2B	038	18	779.1.133.1A	014	25	788.1.055.1A	005	7	8000.44240	020	15	80A0.64617	029	11
777.5.049.2C	011	10	779.1.162.1A	009	27	789.1.001.1A	037	6	8000.44240	038	21	80B0.55703	030	8
777.5.210.2A	026	3	779.1.186.1A	031	3	791.1.015.1A	036	18	8000.56391	038	16	80C0.05893	036	7
779.1.001.1A	030	11	779.4.005.1A	017	4	791.1.021.1A	038	3	8000.56443	027	13	815.1.005.1A	010	42
779.1.002.1B	032	9	779.5.001.1A	009	6	791.1.022.1A	021	5	8000.56750	021	10	815.1.005.1A	035	4
779.1.005.1A	033	6	779.5.001.1A	031	25	791.1.036.1A	019	15	8000.59056	031	22	818.2.009.1A	004	3
779.1.007.2A	006	9	779.5.003.1A	020	11	791.1.039.1A	036	20	8000.59485	031	20	819.1.017.1A	025	8
779.1.008.1A	039	1	779.5.004.1A	036	12	791.2.003.1A	007	12	8000.59572	019	7	819.1.028.1A	025	16
779.1.009.1A	018	4	779.5.005.1A	009	33	799.1.012.1A	004	25	8000.60683	031	1	821.1.001.1A	002	26
779.1.014.1A	030	13	779.5.007.1A	036	19	799.1.025.1A	002	20	8000.60700	031	6	821.1.009.1B	025	19
779.1.026.1A	009	23	779.5.010.1A	038	9	799.1.044.1A	029	6	8000.62568	031	13	821.1.028.2B	036	8
779.1.026.1A	010	41	779.5.012.1A	024	5	799.1.049.1A	002	1	8000.62655	031	12	821.1.070.1A	002	17
779.1.037.1A	032	18	779.5.018.1A	020	24	799.1.051.2A	006	15	8000.62705	036	9	821.1.090.1A	031	4
779.1.039.1A	002	3	780.1.006.1A	009	31	799.1.055.1A	009	30	8000.62729	010	35	824.1.023.1A	031	18
779.1.054.1AA	029	7	780.1.007.1A	020	7	799.1.061.1A	014	7	8000.62729	016	20	824.1.024.1A	031	8
779.1.058.1A	027	16	780.1.016.1A	006	3	799.1.061.1A	015	9	8000.63150	030	22	825.1.018.1A	029	24
779.1.058.1A	028	11	786.1.047.1A	007	6	799.1.088.1A	017	7	8000.63161	030	20	826.1.003.1A	010	11

INDEX

CODE No.	Drwg.	POS. N.	CODE No.	Drwg.	POS. N.	CODE No.	Drwg.	POS. N.	CODE No.	Drwg.	POS. N.	CODE No.	Drwg.	POS. N.
826.1.009.1A	002	33	829.1.273.1A	021	20	852.1.101.1A	006	11	872.1.019.1A	032	5	886.4.028.1A	015	28
826.1.011.1A	003	13	829.2.234.1B	019	4	852.1.105.1AB	003	26	873.1.016.1C	024	11	88700.5644	001	14
827.1.087.1A	029	25	829.2.237.1A	038	12	852.1.105.1AD	003	26	875.1.025.2B	035	11	88700.5665	001	11
827.1.096.1A	038	15	830.1.091.2A	016	13	852.1.105.1AG	003	26	875.1.026.2B	035	12	88700.5749	001	22
827.1.097.1A	038	5	830.1.094.1A	022	8	852.1.108.1AH	003	1	876.1.050.1A	034	15	88713.0120	001	2
827.1.139.1B	017	8	830.1.144.1A	011	20	852.1.108.1AL	003	1	876.1.072.1A	034	19	88713.0123	001	9
827.1.157.1A	039	6	830.1.195.1A	022	20	852.1.108.1AN	003	1	877.1.049.1A	027	15	88713.0137	001	6
827.1.161.1A	031	10	841.1.001.1C	035	8	852.1.111.1A	002	5	877.1.053.1A	019	19	88713.0143	001	7
827.1.182.1A	023	26	841.1.002.2A	004	2	852.1.112.1A	006	11	877.1.069.1A	028	13	88713.0144	001	12
827.1.186.1A	039	4	841.1.017.1A	018	22	852.1.116.1A	031	2	877.1.071.1A	029	16	88713.0146	001	1
827.1.191.1A	023	28	841.1.017.1A	022	19	852.1.117.1A	031	11	877.2.045.1A	034	6	88713.0262	001	13
827.1.193.1A	016	19	847.4.002.1A	031	9	852.1.118.1A	020	23	881.1.010.1C	012	18	88713.0957	001.1	7
827.2.134.1A	036	22	850.4.016.1A	038	4	852.1.119.1A	021	12	881.1.012.1A	002	32	88713.1010	001	19
829.1.021.2A	037	1	851.1.001.1B	004	9	852.5.001.1A	023	18	881.1.023.1A	022	21	88713.1072	001.1	6
829.1.061.1C	027	9	851.4.001.1A	004	5	852.5.003.1A	034	12	881.1.028.1A	018	30	88713.1091	001	25
829.1.109.1A	035	1	852.1.001.1A	032	3	856.1.001.1A	003	6	881.1.030.1A	005	25	88713.1096	001.1	8
829.1.113.2A	018	5	852.1.002.1A	032	3	856.1.002.1A	008	16	881.2.001.1A	004	19	88713.1139	001	4
829.1.124.2A	010	36	852.1.005.1A	002	14	856.1.002.1A	013	4	882.1.003.1A	008	14	88713.1215	001	10
829.1.127.1A	019	12	852.1.008.1A	005	10	856.1.024.1A	010	7	882.1.006.1A	002	16	88713.1332	001	21
829.1.132.1B	028	22	852.1.053.1A	002	2	856.1.030.1A	024	12	884.1.005.1A	024	19	88713.1344	001.1	3
829.1.136.1A	023	29	852.1.076.2A	006	11	856.1.031.1A	003	16	884.4.001.1A	025	11	88713.1419	001	5
829.1.194.1A	022	7	852.1.077.2A	006	11	856.1.042.1A	030	5	884.4.007.1A	032	24	88713.1502	001	24
829.1.230.1A	019	8	852.1.078.2A	006	11	863.1.002.1A	012	14	884.4.011.1A	007	10	88713.1515	001.1	5
829.1.235.1A	015	31	852.1.079.1A	032	15	866.1.037.1A	036	23	884.4.012.1A	037	3	88765.0968	001	20
829.1.236.1A	038	26	852.1.094.1A	002	19	866.1.039.2A	036	3	886.4.011.1A	036	21	88765.1000	001	18
829.1.256.1A	018	12	852.1.096.1A	030	29	872.1.002.1A	030	12	886.4.021.1A	016	24	88765.1005	001	18
829.1.272.1A	021	19	852.1.100.1A	006	11	872.1.008.1A	030	18	886.4.022.1A	016	23	88765.1006	001	18

INDEX

CODE No.	Drwg.	POS. N.	CODE No.	Drwg.	POS. N.	CODE No.	Drwg.	POS. N.	CODE No.	Drwg.	POS. N.	CODE No.	Drwg.	POS. N.
88765.1058	001	23	88765.1126Z	001.2	1	93827.0114	009	22						
88765.1069	001.1	1	893.1.005.1A	005	15	93827.0114	010	28						
88765.1073	001.2	21	893.4.005.1A	027	11	94247.0014	010	5						
88765.1074	001.2	21	893.4.005.1A	029	22	94247.0014	011	15						
88765.1075	001.2	21	895.4.001.2A	036	15	98112.0002	001	8						
88765.1076	001.2	21	8A00.67997	032	10									
88765.1077	001.2	21	913.7.060.1A	038	23									
88765.1086	001	26	914.7.023.1A	001.2	2									
88765.1126	001.2	6	914.7.023.1B	001.2	2									
88765.1126A	001.2	4	914.7.023.1C	001.2	2									
88765.1126B	001.2	12	914.7.023.1D	001.2	2									
88765.1126C	001.2	11	914.7.023.1E	001.2	2									
88765.1126D	001.2	14	930.1.005.1A	024	20									
88765.1126E	001.2	9	930.4.009.1A	004	23									
88765.1126F	001.2	13	93783.0812	003	30									
88765.1126G	001.2	17	93783.1524	011	11									
88765.1126H	001.2	16	93783.2552	010	13									
88765.1126L	001.2	19	93784.2030	005	9									
88765.1126M	001.2	18	93785.0822	004	24									
88765.1126N	001.2	7	93785.1830	010	16									
88765.1126P	001.2	10	93823.0128	004	32									
88765.1126Q	001.2	5	93823.2018	004	30									
88765.1126R	001.2	3	93823.2037	007	5									
88765.1126S	001.2	22	93823.2056	011	23									
88765.1126T	001.2	23	93823.2082	005	14									
88765.1126U	001.2	20	93823.2131	011	8									
88765.1126V	001.2	8	93827.0114	005	12									

Catalogo ricambi MONSTER 900ie U.S.A
Spare parts catalogue MONSTER 900ie U.S.A
Catalogue pièces détachées MONSTER 900ie U.S.A
Ersatzteilkatalog MONSTER 900ie U.S.A
Catalogo piezas de repuesto MONSTER 900ie U.S.A

DUCATIMONSTER



<i>DUCATIMOTOR</i>	●	<i>Monster 900ie</i>	<i>M.Y. '00</i>	<i>U.S.A.</i>
<i>Spare Sparts Department</i>		<i>P.N. 91510531C</i>	<i>Novembre - November '99</i>	<i>Edizione - Edition 01</i>
<i>DUCATIMOTOR</i>	●	<i>Monster 900ie</i>	<i>M.Y. '00</i>	<i>U.S.A.</i>
<i>Spare Sparts Department</i>		<i>P.N. 91510531C</i>	<i>Novembre - November '99</i>	<i>Edizione - Edition 01</i>
<i>DUCATIMOTOR</i>	●	<i>Monster 900ie</i>	<i>M.Y. '00</i>	<i>U.S.A.</i>
<i>Spare Sparts Department</i>		<i>P.N. 91510531C</i>	<i>Novembre - November '99</i>	<i>Edizione - Edition 01</i>
<i>DUCATIMOTOR</i>	●	<i>Monster 900ie</i>	<i>M.Y. '00</i>	<i>U.S.A.</i>
<i>Spare Sparts Department</i>		<i>P.N. 91510531C</i>	<i>Novembre - November '99</i>	<i>Edizione - Edition 01</i>