

GENERAL INFORMATION

The present *spare parts* order exactly the right spare parts.

When ordering specify:

- 1) the part's code number followed by its description;
- 2) the motorcycle's serial number, stamped on the steering head.

Reference to right and left apply to the vehicle in terms of its direction of movement.

VALIDITY

- f.m.** Until V.I.N.
- d.m.** From V.I.N.
- f.m.m.** Up to engine number
- d.m.m.** From engine number

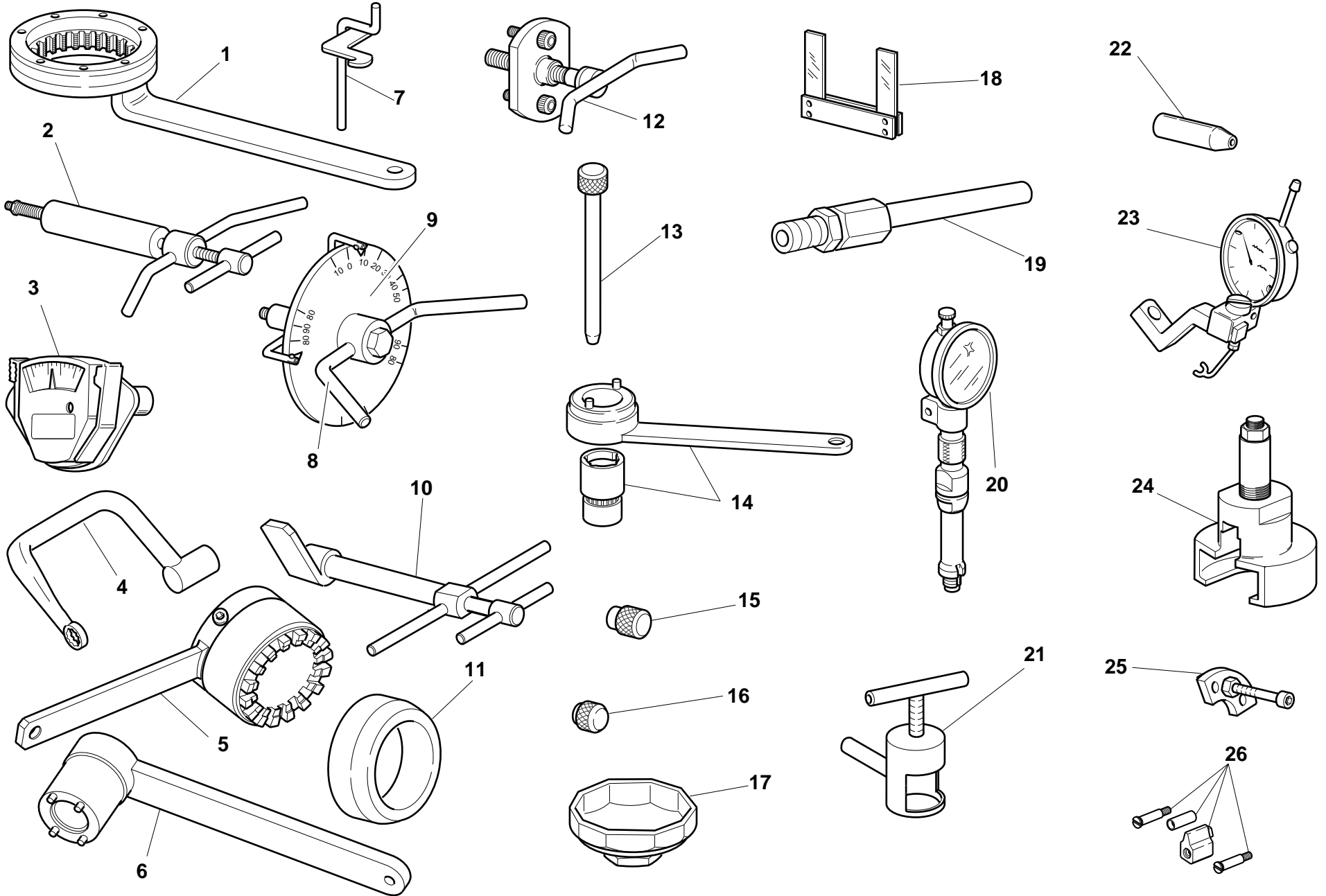
- RED motorcycle
- BLACK motorcycle
- ▲ YELLOW motorcycle
- ◆ GREY motorcycle
- ▼ BLEU motorcycle

All data are subject to modification without prior notice.


Ducati Motor S.p.A.
Uffici Commerciali Amministrativi:
Via A. Cavalieri Ducati n. 3
40132 Bologna, Italy
Telefono 051 641311
Fax 051 406580
Internet www.ducati.com


page	CONTENTS
4 001	WORKSHOP SPECIAL TOOLS
6 001.1	WORKSHOP SPECIAL TOOLS
8 001.2	DIAGNOSIS TESTER MATHESIS
10 002	GEARCHANGE
12 003	GEAR-BOX
14 004	CLUTCH
16 005	CLUTCH COVER
18 006	CRANKSHAFT
20 007	CYLINDERS - PISTONS
22 008	TIMING
24 009	FILTERS AND OIL PUMP
26 010	HALF CRANKCASES
28 011	ALTERNATOR COVER
30 012	ELECTRIC STARTER AND IGNITION
32 013	HEAD: TIMING
34 014	VERTICAL HEAD
36 015	HORIZONTAL HEAD
38 016	THROTTLE BODY
40 017	EXHAUST SYSTEM
42 018	STANDS
44 019	FRAME
46 020	L.H. FOOT RESTS
48 021	R.H. FOOT RESTS
50 022	HEAD-LIGHT AND ELECTRIC WIRING
52 023	INSTRUMENT PANEL
54 024	HANDLEBAR AND CONTROLS
56 025	FRONT FORK
58 026	CLUTCH CONTROL
60 027	FRONT HYDRAULIC BRAKE
62 028	OIL COOLER
64 029	ELECTRIC SYSTEM
66 030	BATTERY BOX MOUNT
68 031	AIR INDUCTIO AND OIL VENT
70 032	SWINGARM AND CHAIN
72 033	REAR HYDRAULIC BRAKE
74 034	WHEELS
76 035	NUMBER PLATE HOLDER
78 036	SEAT
80 037	FUEL SYSTEM
82 038	FUEL TANK
84 039	HEADLIGHT FAIRING
86 040	FAIRING
90 040.1	HALF FAIRING
92 041	FUEL INFEED
94 042	MARKING PLATES

DRAWING **001** WORKSHOP SPECIAL TOOLS

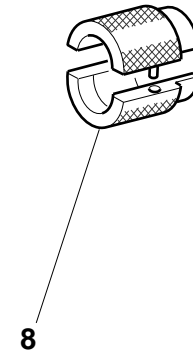
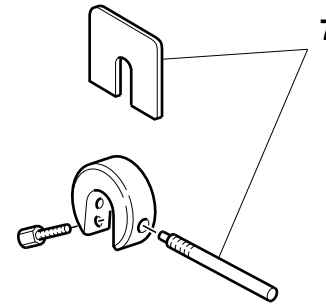
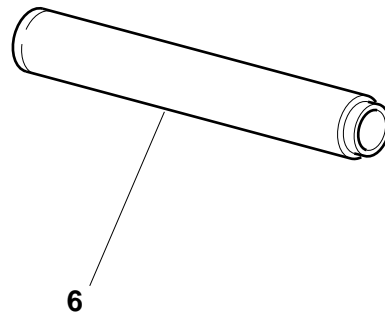
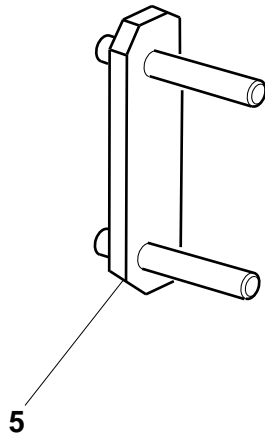
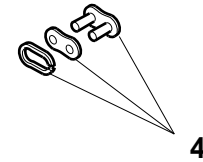
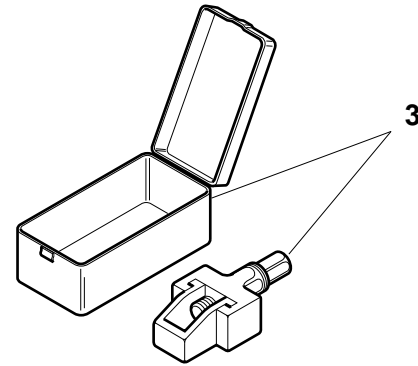
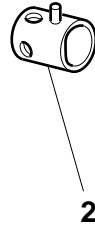
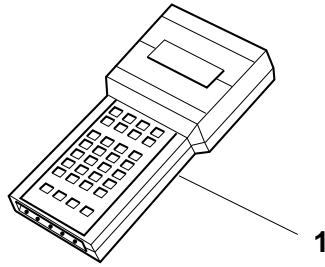


DRAWING **001** WORKSHOP SPECIAL TOOLS


NOTES	NO.	CODE NO.	DESCRIPTION	VALIDITY	Q.TY	
	1	88713.0146	Frame-engine grounding cable		1	
	2	88713.0120	Rocker shaft extractor		1	
	3	051.2.001.1A	Torque wrench for timing belt		1	
	4	88713.1139	Head nuts holder wrench		1	
	5	88713.1419	Alternator holder wrench for tightening nut		1	
	6	88713.0137	Crankshaft gear holder wrench for tightening nut		1	
	7	88713.0143	Tool for assembling closing rocker and spring		1	
	8	98112.0002	Degree wheel		1	
	9	88713.0123	Degree wheel holder tool for ignition advance check		1	
	10	88713.1215	Torque wrench for timing belt		1	
	11	88700.5665	Sleeve for installing clutch bell gear		1	
	12	88713.0144	Extractor for removal of chain/generator cover		1	
	13	88713.0262	Pin for assembling rocker arms		1	
	14	88700.5644	Timing belt rollers holder wrench		1	
	15	0000.44119	Spacer for checking lower valve shim		1	
	16	0000.44120	Spacer for checking lower valve shim		1	
	17	0675.03.210	Wrench for removing oil filter cartridge		1	
	18	88765.1000	Fork feeler gauge 0.1 mm		1	
	18	88765.1005	Fork feeler gauge 0.2 mm		1	
	18	88765.1006	Fork feeler gauge 0.3 mm		1	
	19	88713.1010	Union for exhaust gas suction		1	
	20	88765.0968	T.D.C. control gauge		1	
	21	88713.1332	Extractor bushing bearing inner ring		1	
	22	88700.5749	Crankcases assembling cap		1	
	23	88765.1058	Valve lift gauge		1	
	24	88713.1502	Extractor for primary drive gear		1	

NOTES	NO.	CODE NO.	DESCRIPTION	VALIDITY	Q.TY	
	25	88713.1091	Plate for positioning gear engagement fork		1	
	26	88765.1086	Conversion kit for 4V belts tensioning tool		1	

DRAWING **001.1** WORKSHOP SPECIAL TOOLS

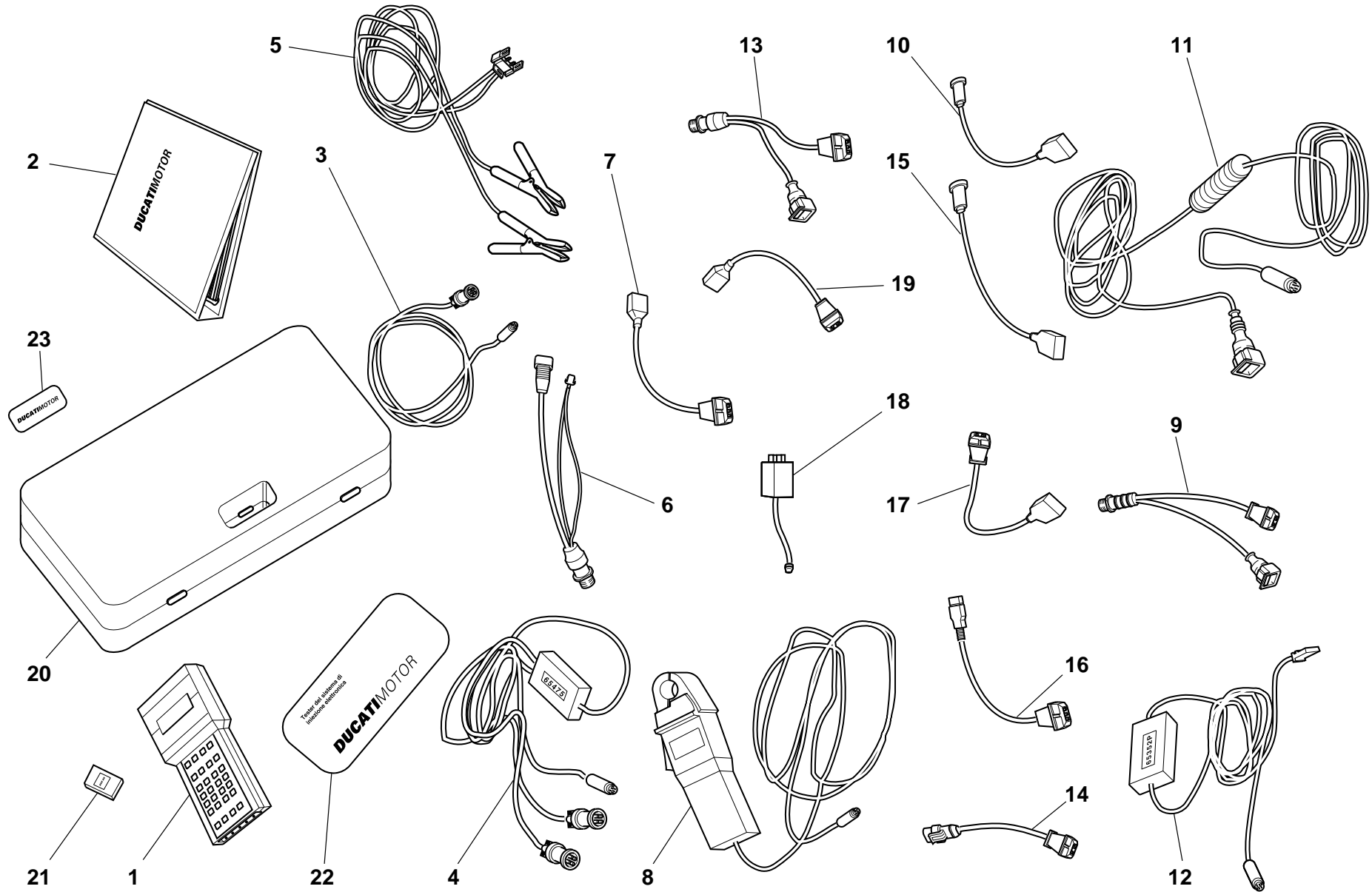


DRAWING **001.1** WORKSHOP SPECIAL TOOLS

NOTES	NO.	CODE NO.	DESCRIPTION	VALIDITY	Q.TY	
I	1	88765.1068	Check instrument		1	
GB	1	88765.1069	Check instrument		1	
D	1	88765.1070	Check instrument		1	
F	1	88765.1071	Check instrument		1	
E	1	88765.1072	Check instrument		1	
	2	0000.70139	Wrench for front wheel spindle		1	
	3	88713.1344	Tool for assembling chain		1	
	4	677.4.002.1A	Coupling		1	
	5	88713.1515	Frame/engine mount		1	
	6	88713.1072	Stopper for driving the half bearing of the steering head base		1	
	7	88713.0957	Tool for holding SHOWA fork spacer		1	
	8	88713.1096	Tool for overhauling SHOWA forks - assembling seal ring		1	


NOTES	NO.	CODE NO.	DESCRIPTION	VALIDITY	Q.TY	
-------	-----	----------	-------------	----------	------	---

DRAWING **001.2** DIAGNOSIS TESTER MATHESIS

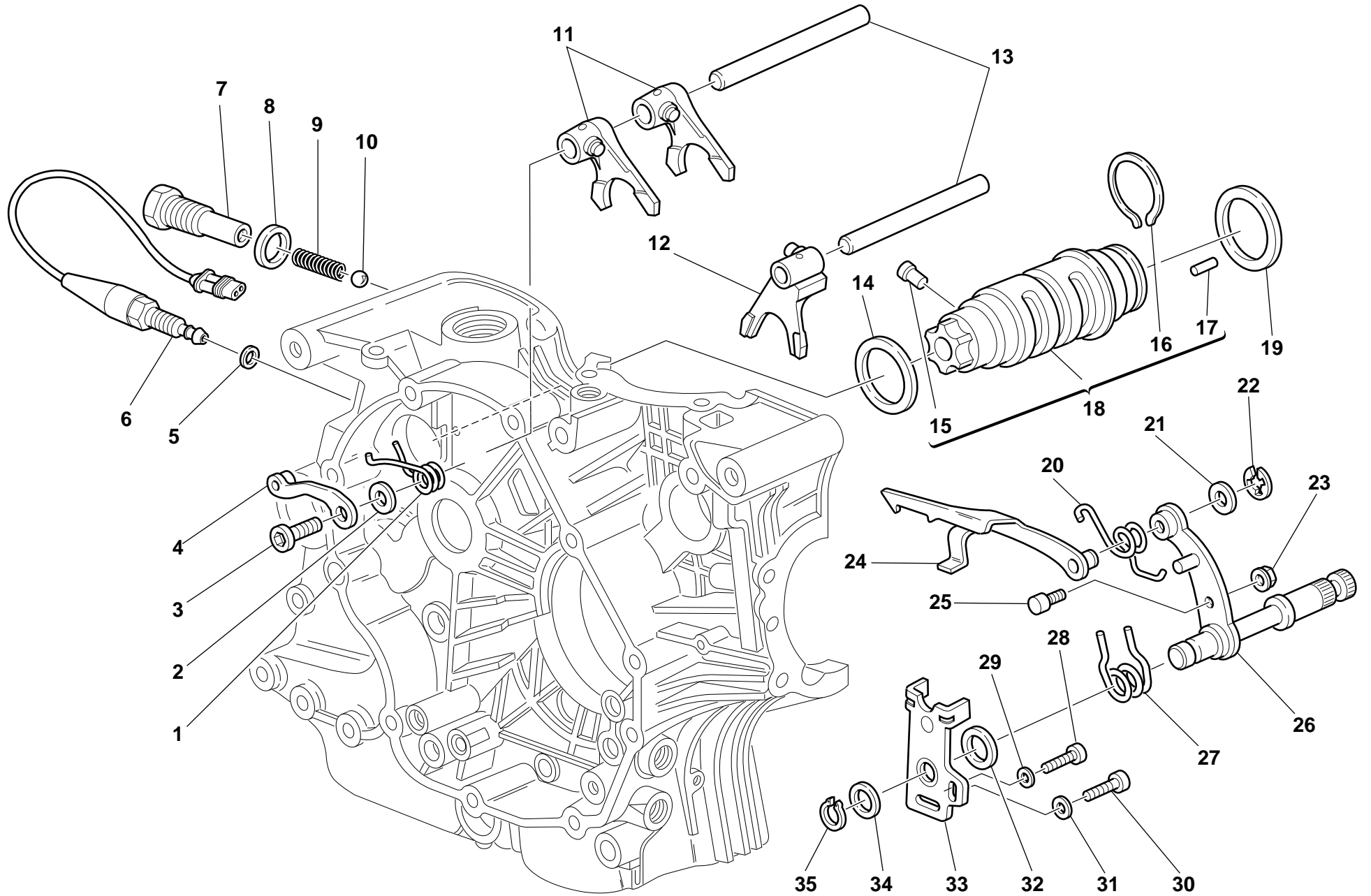


DRAWING **001.2** **DIAGNOSIS TESTER MATHESIS**

NOTES	NO.	CODE NO.	DESCRIPTION	VALIDITY	Q.TY	
	1	88765.1126Z	Bare Mathesis		1	
	2	914.7.023.1A	Italian manual		1	
	2	914.7.023.1B	English manual		1	
	2	914.7.023.1C	German manual		1	
	2	914.7.023.1D	Franch manual		1	
	2	914.7.023.1E	Spanish manual		1	
	3	88765.1126R	Main cable Mathesis		1	
	4	88765.1126A	Pickup Control cable		1	
	5	88765.1126Q	Battery mains cable		1	
	6	88765.1126	Mains cable adapter for self diagnosis		1	
	7	88765.1126N	Sensor for absolute pressure sampling		1	
	8	88765.1126V	Amperometer plier		1	
	9	88765.1126E	Adapter for 3 wires Pickup test cable		1	
	10	88765.1126P	Sensor for air temperature sampling		1	
	11	88765.1126C	Cable for potentiometer adjustment		1	
	12	88765.1126B	Test cable and speed indicator adjustment		1	
	13	88765.1126F	Adapter for 2 wires Pickup test cable		1	
	14	88765.1126D	Adapter for potentiometer adjustment		1	
	15	552.4.028.1A	Sensor for small throttle potentiometer sampling		1	
	16	88765.1126H	Sensor for throttle potentiomer sampling		1	
	17	88765.1126G	Sensor for air/water temperature sampling		1	
	18	88765.1126M	Sfety remote switch		1	
	19	88765.1126L	2 Wires sampling Pickup sensor		1	
	20	88765.1126U	Case with sponge		1	
	21	88765.1073	Italian memory card		1	
	21	88765.1074	English memory card		1	


NOTES	NO.	CODE NO.	DESCRIPTION	VALIDITY	Q.TY	
	21	88765.1075	German memory card		1	
	21	88765.1076	French memory card		1	
	21	88765.1077	Spanish memory card		1	
	22	88765.1126S	DUCATI sticker for case		1	
	23	88765.1126T	DUCATI sticker RH/LH side		1	

DRAWING **002** GEARCHANGE

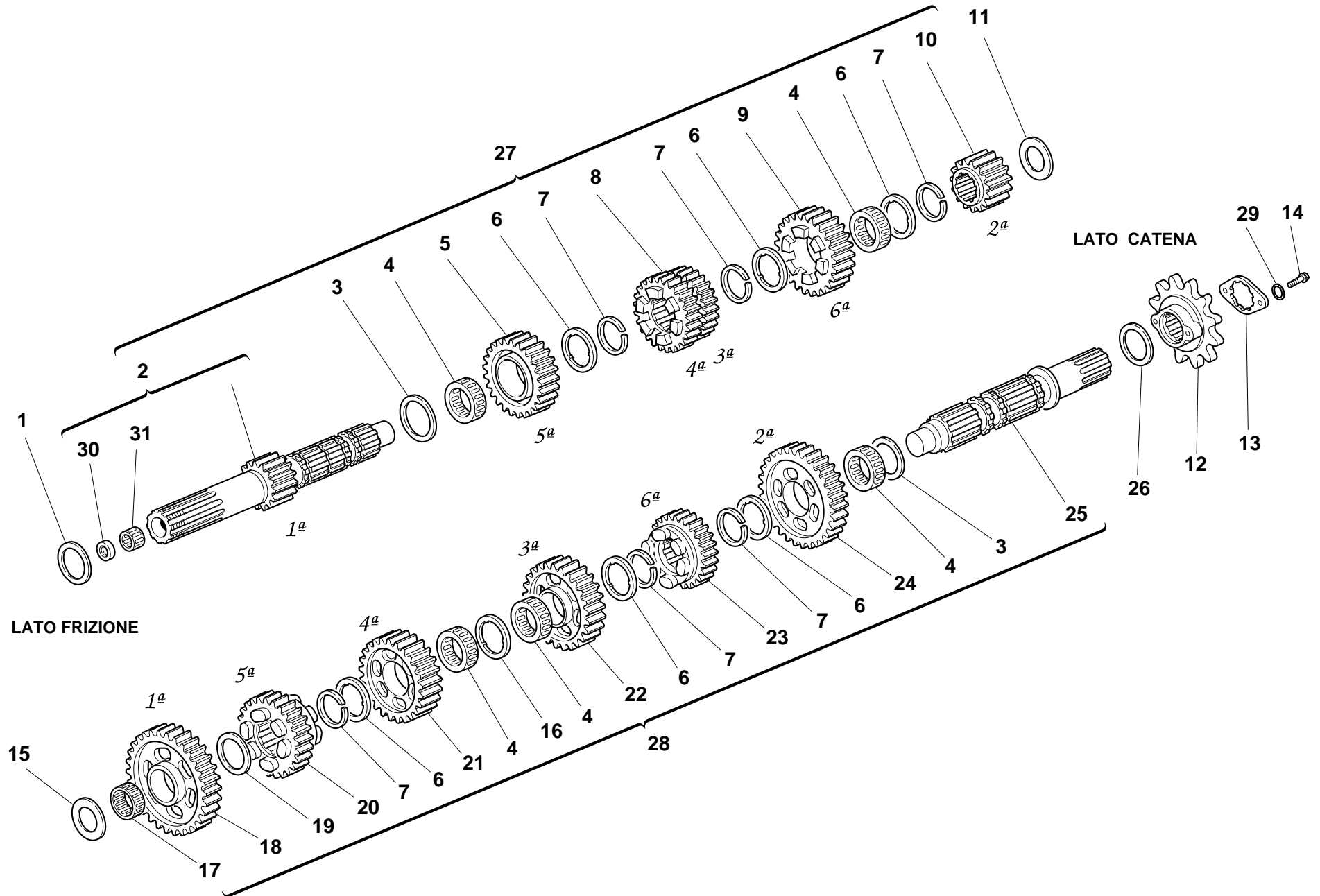


DRAWING **002** GEARCHANGE

NOTES	NO.	CODE NO.	DESCRIPTION	VALIDITY	Q.TY	
	1	799.1.049.1A	Return spring		1	
	2	852.1.053.1A	Washer		1	
	3	779.1.039.1A	Special screw		1	
	4	455.2.003.1A	Gear stopper assembly		1	
	5	0150.92.280	Gasket th.2		1	
	5	0504.03.085	Gasket th.1,5		1	
	5	420.2.000.8A	Copper gasket		1	
	5	852.1.111.1A	Gasket th.0.5		1	
	6	539.4.020.1A	Switch		1	
	7	0660.13.133	Push rod holder		1	
	8	0272.91.090	Gasket		1	
	9	0660.13.143	Gear selector spring		1	
	10	76835.1134	Ball		1	
	11	180.1.001.1A	1st,4th-2nd,3rd gear selector fork		2	
	12	180.1.002.1A	5th,6th gear selector fork		1	
	13	0660.13.070	Fork pin		2	
	14	852.1.005.1A	Shim th. 1		1	
	15	0660.13.045	Neutral light operating pin		1	
	16	882.1.006.1A	Needle retaining ring (square cross-section)		1	
	17	821.1.070.1A	Special roller (square cross-section)		6	
	18	182.2.006.2B	Complete gearbox drum		1	
	19	0660.13.060	Shim th. 1		1	
	20	799.1.025.1A	Fork return spring		1	
	21	0400.09.050	Shim th. 0.5		1	
	21	0765.92.205	Shim th. 0.2		2	
	22	0214.07.350	Ring		1	


NOTES	NO.	CODE NO.	DESCRIPTION	VALIDITY	Q.TY	
	23	750.5.001.1A	Nut		1	
	24	180.1.008.1A	Gearbox drum control fork		1	
	25	0660.13.165	Gearchange lever pin		1	
	26	821.1.001.1A	Pin with gearchange lever		1	
	27	0799.13.110	Gearchange lever return spring		1	
	28	60N102509	Screw		1	
	29	462.3.003.8A	Washer		1	
	30	771.5.122.2B	Screw		1	
	31	462.3.003.7A	Washer		1	
	32	881.1.012.1A	Centering ring		1	
	33	826.1.009.1A	Stopper plate		1	
	34	0400.29.125	Shim th. 0.2		2	
	34	0400.29.126	Shim th. 0.5		1	
	35	73500.1542	Circlip		1	

DRAWING 003 GEAR-BOX

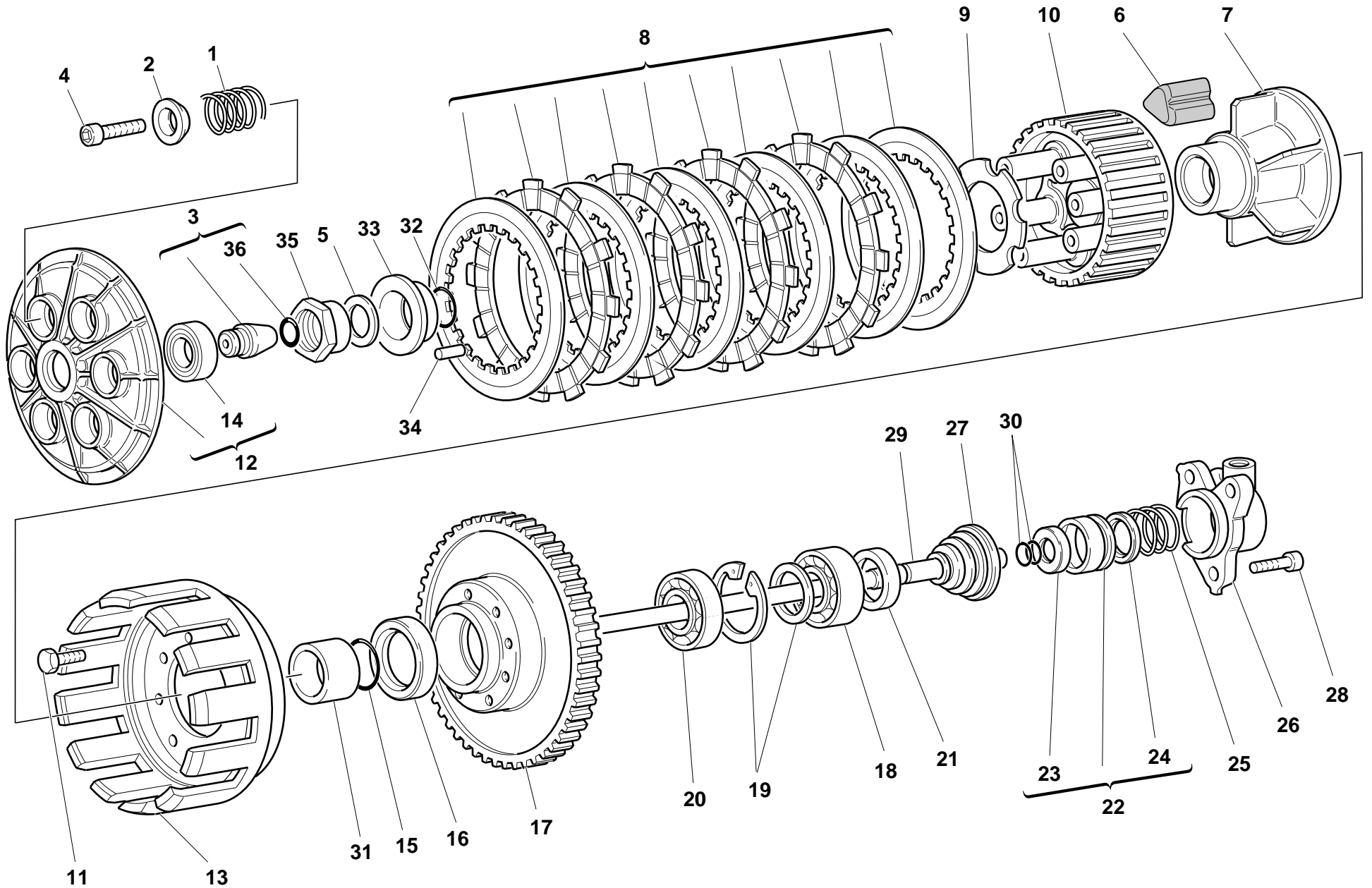


DRAWING **003** GEAR-BOX

NOTES	NO.	CODE NO.	DESCRIPTION	VALIDITY	Q.TY	
	1	0251.47.050	Shim th. 1		1	
	1	0251.47.054	Shim th. 1.2		1	
	1	852.1.108.1AH	Shim th. 0.9		1	
	1	852.1.108.1AL	Shim th. 1,1		1	
	1	852.1.108.1AN	Shim th. 1,3		1	
	2	150.2.006.1A	Gearbox main shaft		1	
	3	0670.16.150	Shim th. 0.5		2	
	4	701.4.005.1A	Needle bearing		5	
	5	172.1.004.1A	Driving gear 5th sp.		1	
	6	856.1.001.1A	Grooved washer th. 0.5		6	
	7	0670.16.145	Snap ring		6	
	8	172.1.003.1A	Driving gear 3rd/4th sp.		1	
	9	172.1.005.1A	Driving gear 6th sp.		1	
	10	172.1.002.1B	Driving gear 2nd sp.		1	
	11	0670.16.163	Shim th. 1.8		1	
	11	0670.16.164	Shim th. 2		1	
	11	713.1.014.1A	Shim th. 1.5		1	
	11	713.1.014.1B	Shim th. 1.7		1	
	11	713.1.014.1E	Shim th. 1.6		1	
	11	713.1.014.1F	Shim th. 1.9		1	
	12	449.1.003.3A	Chain sprocket Z=15		1	
	13	826.1.011.1A	Sprocket keep plate		1	
	14	771.5.040.0C	Screw		2	
	15	0670.16.164	Shim th. 2		1	
	15	0670.16.165	Shim th. 2.2		1	
	15	0670.16.184	Shim th. 1		1	


NOTES	NO.	CODE NO.	DESCRIPTION	VALIDITY	Q.TY	
	15	0670.16.185	Shim th. 1.2		1	
	15	713.1.011.1A	Shim th. 2.3		1	
	15	713.1.014.1A	Shim th. 1.5		1	
	15	713.1.014.1E	Shim th. 1.6		1	
	16	856.1.031.1A	Grooved washer th. 0.5		1	
	17	76402.0002	Needle bearing		1	
	18	172.1.006.1B	Driven gear 1st sp.		1	
	19	0670.16.155	Shim th. 1		1	
	20	172.1.010.1A	Driven gear 5th sp.		1	
	21	172.1.009.1A	Driven gear 4th sp.		1	
	22	172.1.008.1A	Driven gear 3rd sp.		1	
	23	172.1.011.1A	Driven gear 6th sp.		1	
	24	172.1.007.1B	Driven gear 2nd sp.		1	
	25	149.1.003.1A	Gearbox lay shaft		1	
	26	0670.16.170	Shim th. 0.8		1	
	26	0670.16.171	Shim th. 1		1	
	26	852.1.105.1AB	Shim th. 0.9		1	
	26	852.1.105.1AD	Shim th. 1,1		1	
	26	852.1.105.1AG	Shim th. 0.7		1	
	27	150.2.005.1A	Complete main shaft		1	
	28	150.2.003.1A	Complete lay shaft		1	
	29	734005N01	Spring washer		2	
	30	93783.0812	Seal ring		1	
	31	76270.0827	Needle bearing		1	

DRAWING **004** CLUTCH

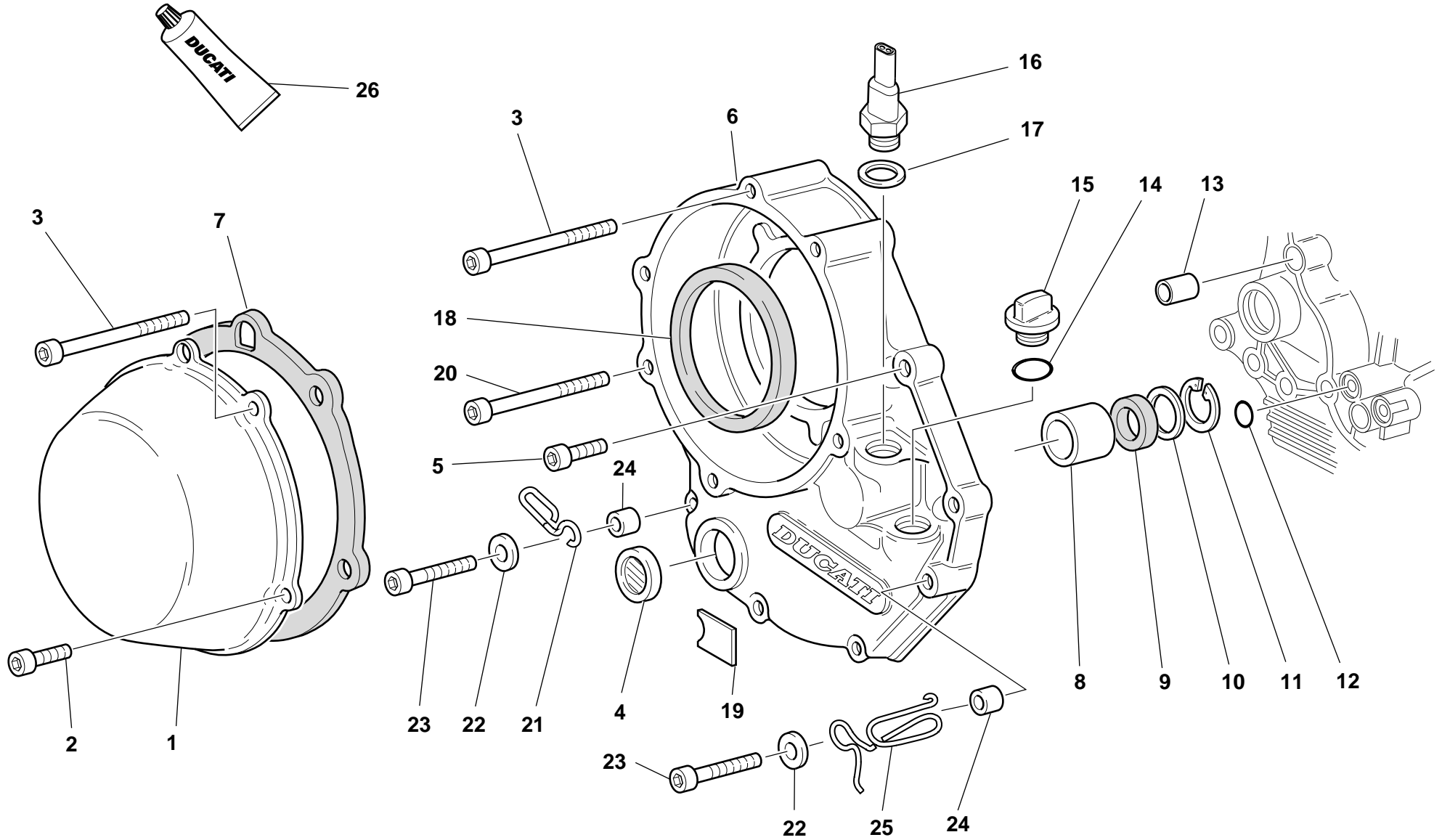


DRAWING **004** **CLUTCH**


NOTES	NO.	CODE NO.	DESCRIPTION	VALIDITY	Q.TY	
	1	0659.16.558	Clutch spring		6	
	2	841.1.002.2A	Retainer		6	
	3	818.2.009.1A	Clutch control pin		1	
	4	771.5.043.2B	Screw		6	
	5	851.4.001.1A	Lock washer		1	
	6	764.1.003.1B	Rubber pad		12	
	7	162.1.001.1B	Plate holder hub		1	
	8	190.2.001.3A	Clutch plates set		1	
	9	851.1.001.1B	Lock washer		1	
	10	196.1.001.1B	Clutch drum		1	
	11	70610.8120	Screw		8	
	12	194.2.001.1B	Pressure plate		1	
	13	198.1.027.1A	Clutch housing		1	
	14	702.5.016.1A	Bearing		1	
	15	463.2.053.7A	O-ring		1	
	16	463.4.026.9A	Seal ring		1	
	17	170.2.023.1A	Clutch/crankshaft gears pair		1	
	18	75113.2566	Bearing		1	
	19	881.2.001.1A	Circlip - spacer		1	
	20	463.7.022.6A	Bearing		1	
	21	0660.16.145	Spacer		1	
	22	195.2.002.1B	Piston assembly		1	
	23	93785.0822	Seal ring		1	
	24	930.4.009.1A	Seal ring		1	
	25	799.1.012.1A	Spring		1	
	26	236.1.010.3A	Clutch cap		1	

NOTES	NO.	CODE NO.	DESCRIPTION	VALIDITY	Q.TY	
	27	672.1.006.1A	Rod protection cover		1	
	28	60N107335	Screw		3	
	29	117.1.001.2A	Clutch control rod		1	
	30	93823.2018	O-ring		2	
	31	713.1.012.1B	Spacer		1	
	32	93823.0128	O-ring		1	
	33	710.1.002.1A	Bush		1	
	34	74224.0570	Pin		1	
	35	750.1.002.1B	Nut		1	
	36	0400.17.030	O-ring		1	

DRAWING **005** CLUTCH COVER

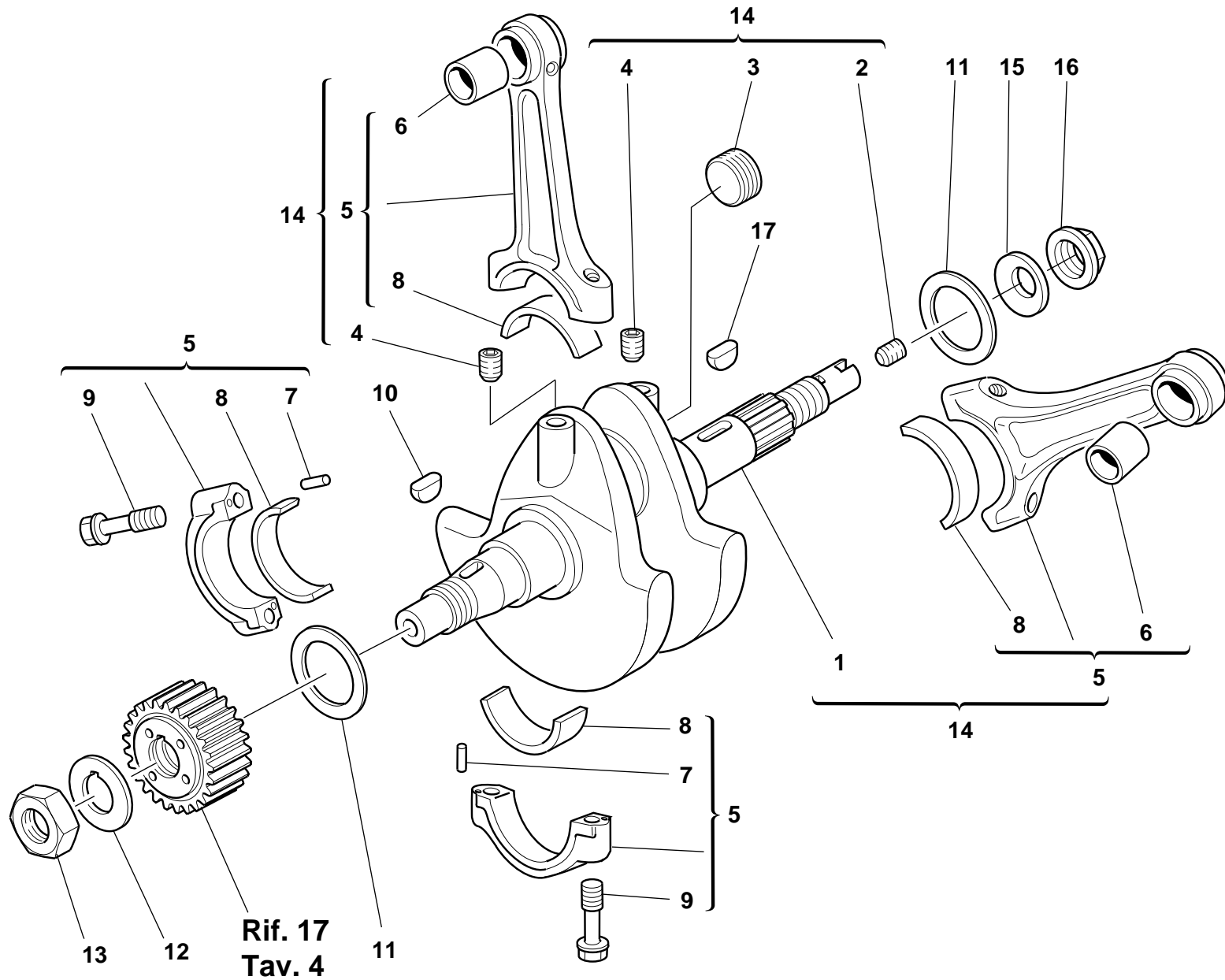


DRAWING **005** **CLUTCH COVER**


NOTES	NO.	CODE NO.	DESCRIPTION	VALIDITY	Q.TY	
	1	243.1.025.1AC	Clutch protection cover		1	
	2	60N102509	Screw		2	
	3	417.6.075.9A	Screw		3	
	4	254.4.001.1A	Oil level inspection cap		1	
	5	60N102510	Screw		4	
	6	243.2.004.1AC	Cover clutch side (GREY)		1	
	7	788.1.052.1A	Cover gasket		1	
	8	0665.49.680	Bush		1	
	9	93784.2030	Seal ring		1	
	10	852.1.008.1A	Shim th. 0.5		1	
	11	73503.3075	Circlip		1	
	12	93827.0114	O-ring		1	
	13	0400.49.240	Locating bush		1	
	14	93823.2082	O-ring		1	
	15	893.1.005.1A	Cap		1	
	16	539.4.008.1D	Switch		1	
	17	0150.70.120	Gasket		1	
	18	463.4.047.7A	Ring		1	
	19	433.1.028.1C	Oil level plate		1	
	20	771.5.078.2B	Screw		1	
	21	829.1.073.3A	Holder		1	
	22	734306N01	Washer		2	
	23	771.5.072.2B	Screw		2	
	24	0675.49.540	Spacer		2	
	25	881.1.030.1A	Holder		1	
	26	94247.0014	Fluid sealant		1	

NOTES	NO.	CODE NO.	DESCRIPTION	VALIDITY	Q.TY	
-------	-----	----------	-------------	----------	------	---

DRAWING **006** CRANKSHAFT

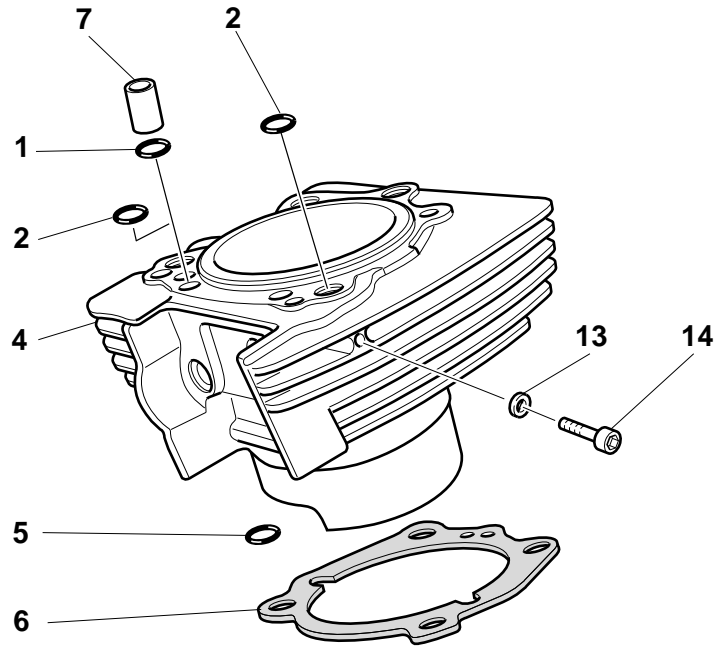


DRAWING **006** **CRANKSHAFT**

NOTES	NO.	CODE NO.	DESCRIPTION	VALIDITY	Q.TY	
	1	146.2.061.1A	Crankshaft (items 2-3-4 included)		1	
	2	779.1.109.1A	Special screw		1	
	3	895.1.004.1A	Cap		1	
	4	72121.2106	Threaded dowel		2	
	5	158.2.002.2A	Connecting rods pair (6-7-8 included)		1	
	6	711.1.007.1A	Bush		2	
	7	74224.0570	Pin		4	
	8	112.1.001.1A	Standard half-bearing		4	
	8	112.1.001.1AB	Undersize half-bearing 0.25		4	
	8	112.1.001.1AC	Undersize half-bearing 0.50		4	
	9	779.1.007.2A	Special screw		4	
	10	74172.1008	Woodruff key		1	
	11	852.1.076.2A	Shim th. 0.35		1	
	11	852.1.077.2A	Shim th. 0.4		1	
	11	852.1.078.2A	Shim th. 0.6		1	
	11	852.1.100.1A	Shim th. 0.3		2	
	11	852.1.101.1A	Shim th. 0.5		1	
	11	852.1.112.1A	Shim th. 0.7		1	
	12	0619.47.030	Lock washer		1	
	13	0660.47.040	Nut		1	
	14	145.2.034.1A	Complete connecting rods assembly		1	
	15	799.1.051.2A	Spring washer		1	
	16	750.1.012.2A	Nut		1	
	17	0755.29.025	Woodruff key		1	

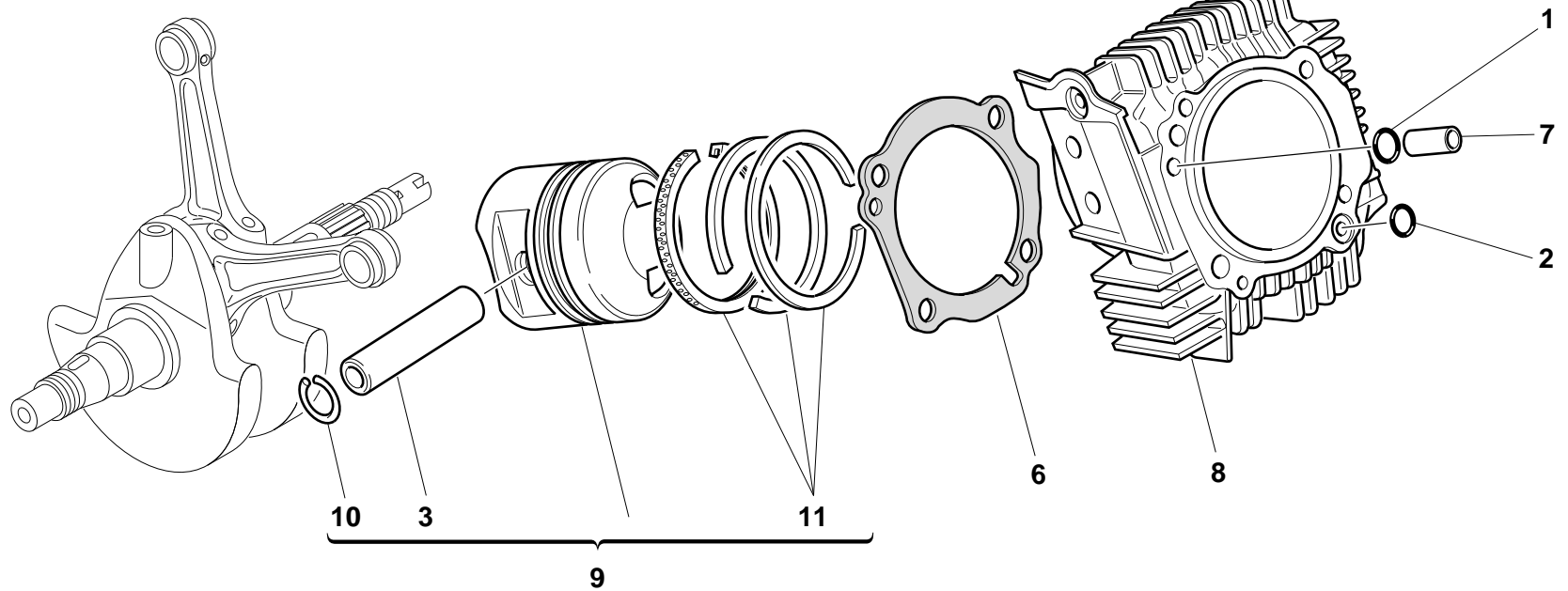
NOTES	NO.	CODE NO.	DESCRIPTION	VALIDITY	Q.TY	
-------	-----	----------	-------------	----------	------	---

DRAWING **007** CYLINDERS - PISTONS




12

<i>DUCATI</i>	
GENUINE PARTS	
Part - code N.	
Quantity N.	
Made in Italy	

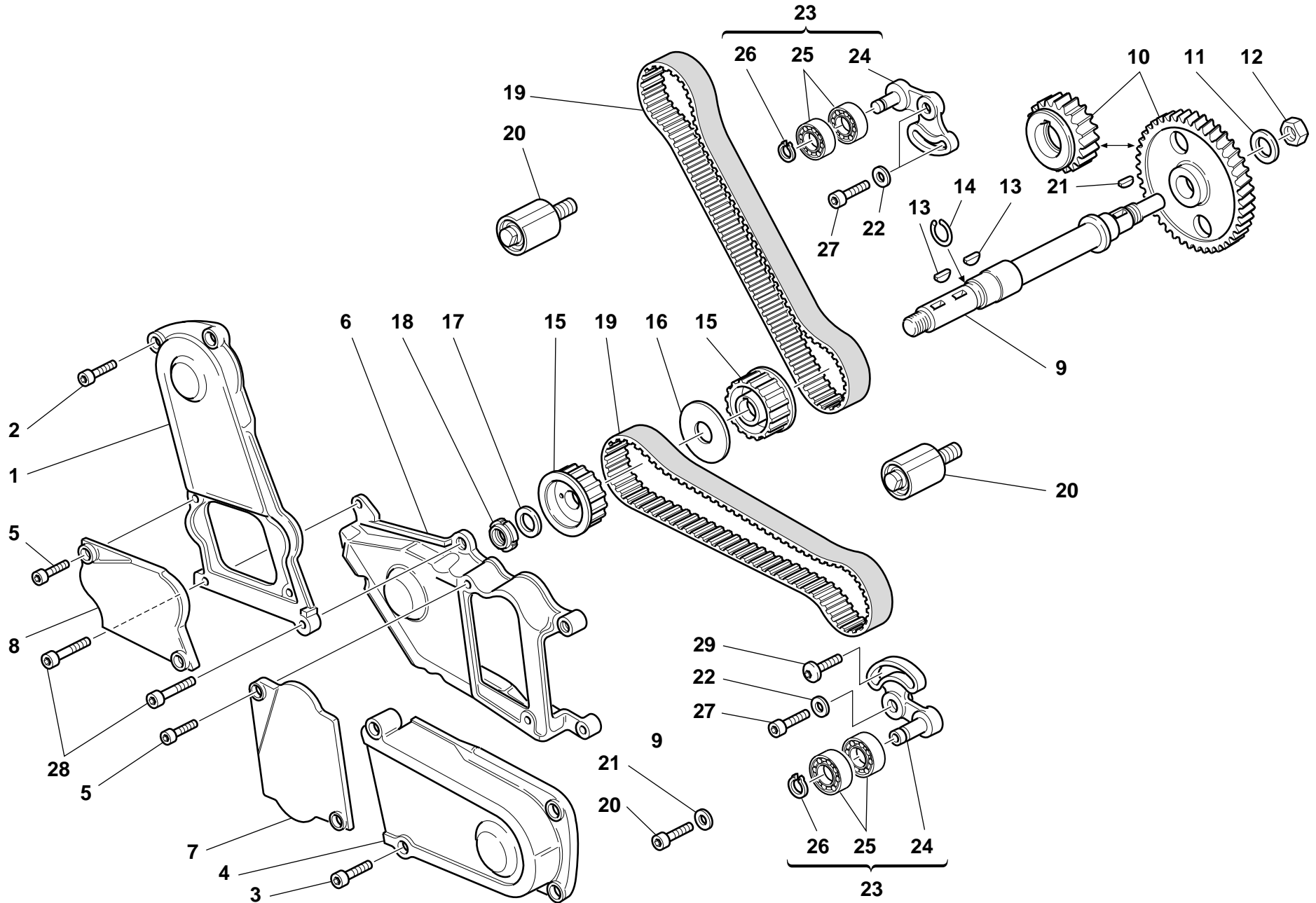


DRAWING **007** **CYLINDERS - PISTONS**

NOTES	NO.	CODE NO.	DESCRIPTION	VALIDITY	Q.TY	
	1	0400.17.030	O-ring		2	
	2	463.2.019.6A	O-ring		3	
	3	121.1.040.1A	Piston pin		2	
	4	120.2.048.1A	Vertical cylinder-piston fit		1	
	5	93823.2037	O-ring		1	
	6	786.1.047.1A	Cylinder-crankcase gasket th. 0.4		2	
	7	0805.17.125	Bush		2	
	8	120.2.049.1A	Horizontal cylinder-piston fit		1	
	9	122.2.050.1A	Complete piston		2	
	10	884.4.011.1A	Piston pin circlip		4	
	11	121.2.029.1A	Piston rings set		2	
	12	791.2.003.1A	Head-cylinder gaskets set		1	
	13	420.2.000.7A	Copper gasket		2	
	14	70700.6208	Screw		2	


NOTES	NO.	CODE NO.	DESCRIPTION	VALIDITY	Q.TY	
-------	-----	----------	-------------	----------	------	---

DRAWING **008** TIMING

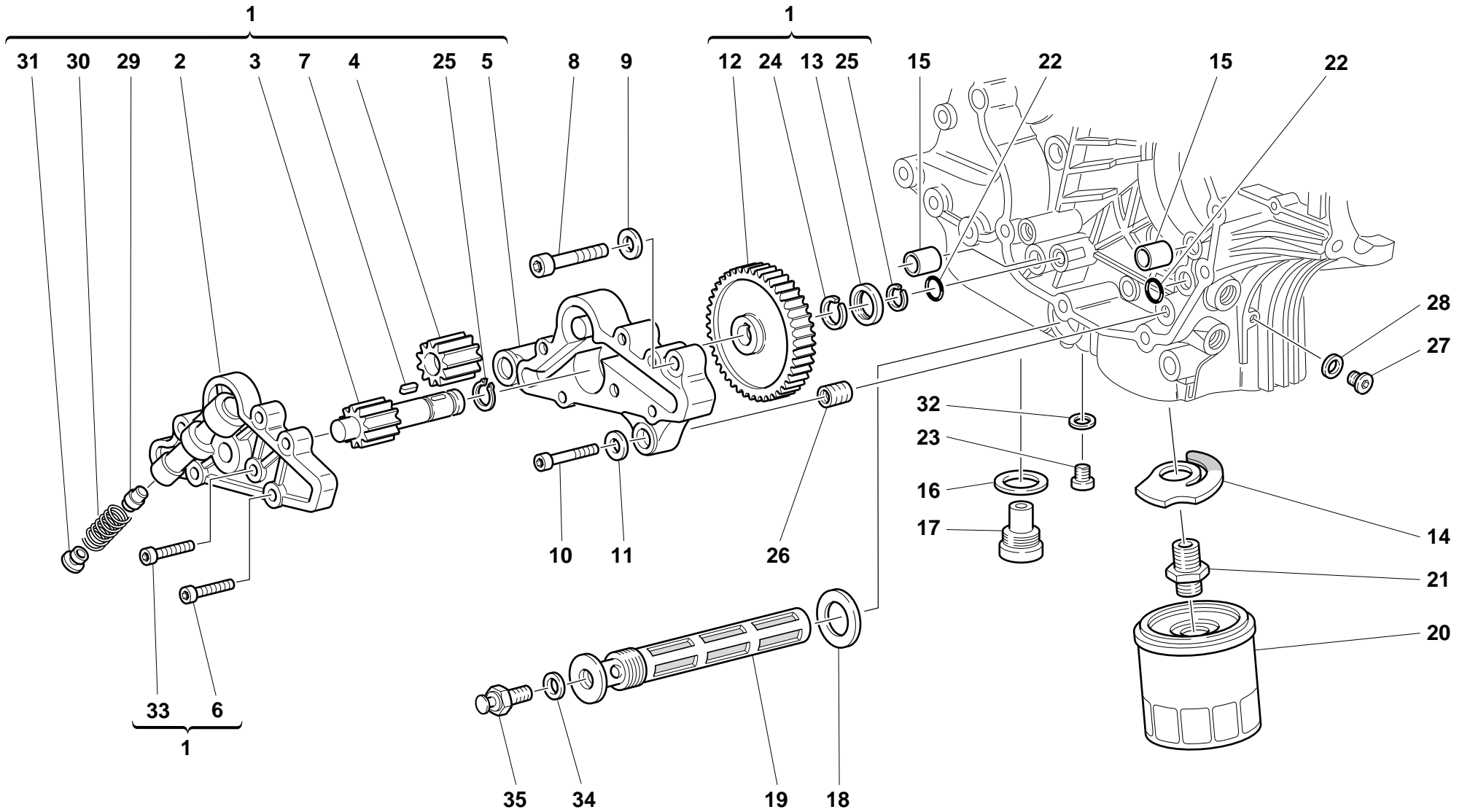


DRAWING **008** **TIMING**

NOTES	NO.	CODE NO.	DESCRIPTION	VALIDITY	Q.TY	
	1	245.1.007.1AB	Vertical timing belt cover (GREY)		1	
	2	60N102505	Screw		4	
	3	60N102509	Screw		2	
	4	245.1.008.1AB	Horizontal timing belt cover (GREY)		1	
	5	771.5.040.2B	Screw		4	
	6	245.1.006.1AB	Central cover (GREY)		1	
	7	245.1.010.1AB	Horizontal tensioner roller cover (GREY)		1	
	8	245.1.009.1AB	Vertical tensioner roller cover (GREY)		1	
	9	147.1.015.1A	Lay shaft		1	
	10	171.2.013.1B	Timing gears pair		1	
	11	0400.29.040	Lock washer		1	
	12	0124.40.060	Hexagon nut		1	
	13	74172.1008	Woodruff key		2	
	14	882.1.003.1A	Snap ring		1	
	15	255.1.001.1B	Timing belt roller		2	
	16	856.1.002.1A	Belt roller separating washer		1	
	17	0797.69.040	Washer		1	
	18	72944.1542	Elastic-stop ring nut		1	
	19	737.4.002.1A	Timing drive toothed belt		2	
	20	451.1.025.1A	Fixed tensioner assembly		2	
	21	0755.29.025	Woodruff key		1	
	22	462.3.003.7A	Washer		2	
	23	451.2.001.1A	Complete movable tensioner roller		2	
	24	451.1.005.2A	Bare tensioner roller		2	
	25	75166.1238	Bearing		4	
	26	0214.07.350	Ring		2	


NOTES	NO.	CODE NO.	DESCRIPTION	VALIDITY	Q.TY	
	27	771.5.122.2B	Screw		2	
	28	60N102510	Screw		3	
	29	772.1.010.2A	Screw		2	

DRAWING **009** FILTERS AND OIL PUMP

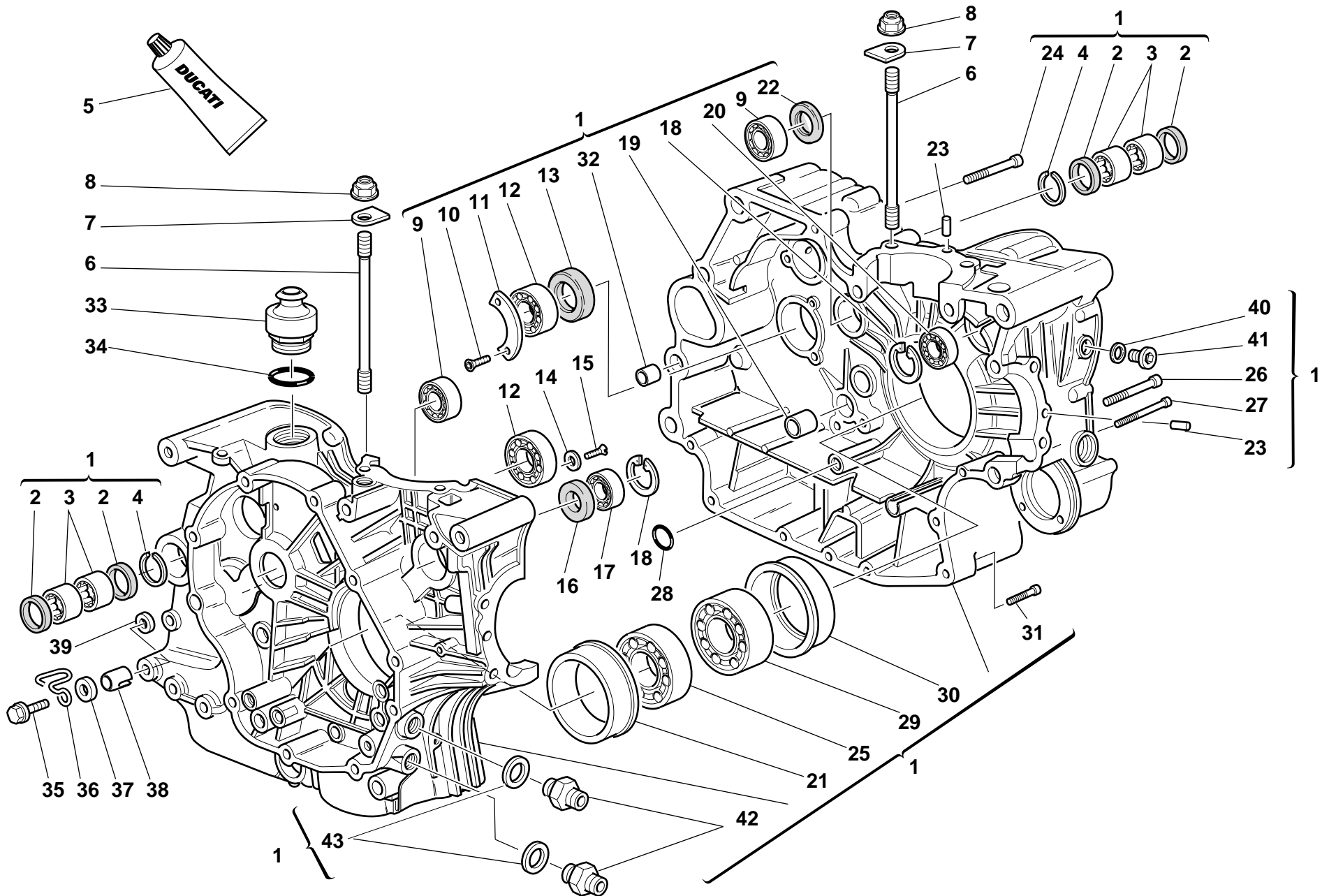


DRAWING **009** **FILTERS AND OIL PUMP**


NOTES	NO.	CODE NO.	DESCRIPTION	VALIDITY	Q.TY	
	1	174.2.016.2A	Complete oil pump		1	
	2	247.1.104.1A	Pump cover		1	
	3	174.1.002.1A	Pump driving gear		1	
	4	0660.70.065	Pump driven gear		1	
	5	250.2.030.2A	Pump body		1	
	6	779.5.001.1A	Screw		3	
	7	680.1.001.1B	Woodruff key		1	
	8	771.5.129.2B	Screw		2	
	9	462.4.037.8A	Spring washer		2	
	10	60N102510	Screw		1	
	11	462.4.037.6A	Spring washer		1	
	12	174.1.004.1A	Pump drive gear		1	
	13	710.1.001.1A	Bush		1	
	14	799.2.077.1A	Bypass spring		1	
	15	0759.49.280	Locating bush		2	
	16	220.3.208.3A	Gasket		1	
	17	0660.49.053	Oil drain plug with magnet		1	
	18	220.3.205.5A	Gasket th.1,0		1	
	19	894.2.003.1A	Oil net filter		1	
	20	0905.49.960	Oil filter cartridge		1	
	21	0670.49.910	Nipple		1	
	22	93827.0114	O-ring		2	
	23	779.1.026.1A	Screw		1	
	24	76267.0012	Snap ring		1	
	25	73500.1237	Circlip		2	
	26	0670.49.310	Reduction bush		1	


NOTES	NO.	CODE NO.	DESCRIPTION	VALIDITY	Q.TY	
	27	779.1.162.1A	Cap		1	
	28	0150.70.120	Gasket		1	
	29	593.1.018.1A	Bypass valve		1	
	30	799.1.055.1A	Bypass spring		1	
	31	780.1.006.1A	Bypass cap		1	
	32	420.2.006.2A	Aluminium gasket		1	
	33	779.5.005.1A	Screw		3	
	34	420.2.001.0A	Copper gasket		1	
	35	552.4.004.2A	Thermistor		1	

DRAWING **010** HALF CRANKCASES

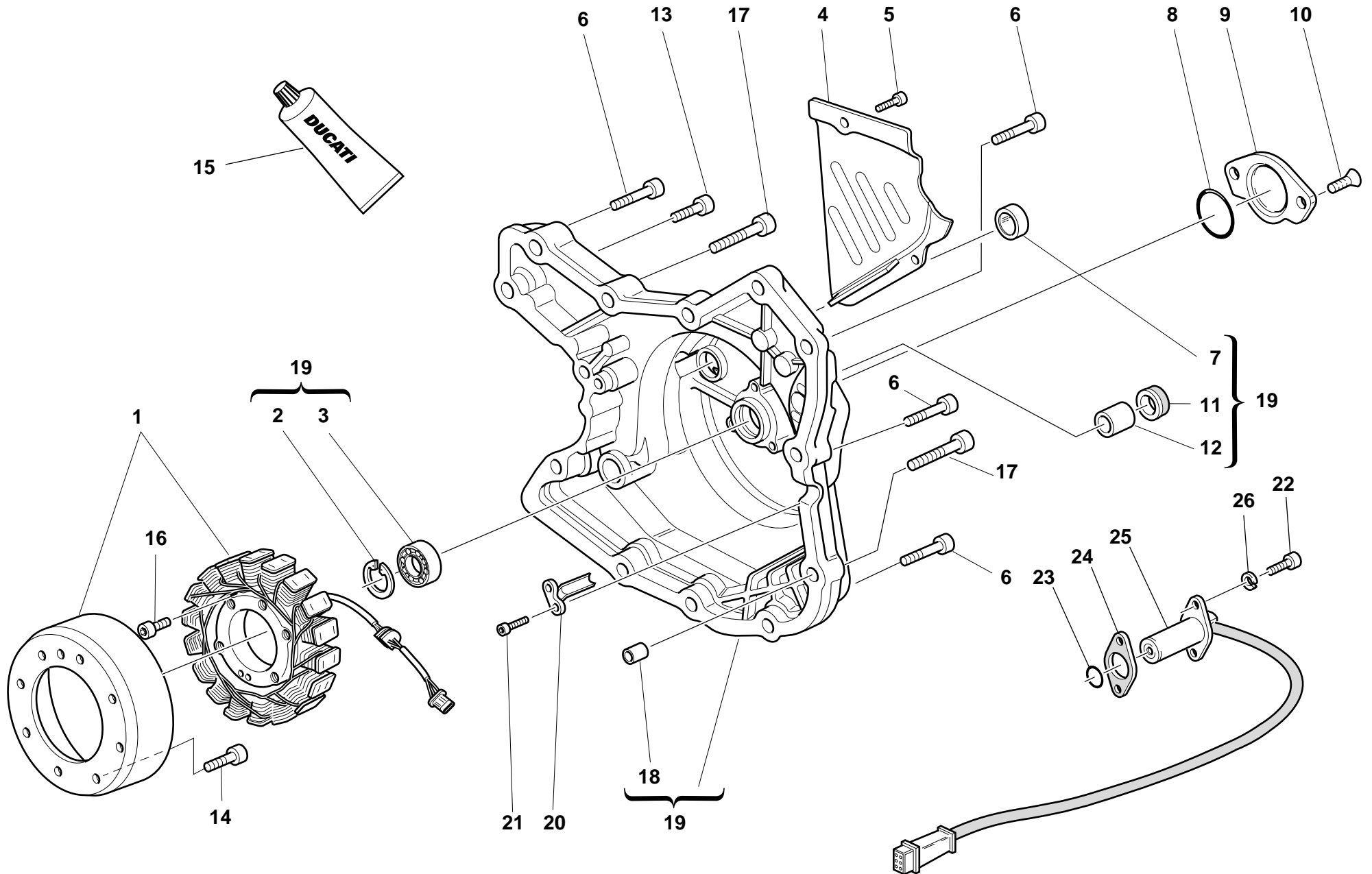


DRAWING **010** HALF CRANKCASES

NOTES	NO.	CODE NO.	DESCRIPTION	VALIDITY	Q.TY	
	1	225.2.039.3B	Complete half-crankcases pair		1	
	2	0755.49.265	Seal ring		4	
	3	76400.0004	Needle bearing		4	
	4	76266.2668	Snap ring		2	
	5	94247.0014	Fluid sealant		1	
	6	766.1.001.2B	Stud bolt for fastening head cylinder		8	
	7	856.1.024.1A	Special washer		8	
	8	0670.92.010	Nut		8	
	9	75791.1747	Bearing		2	
	10	72094.1616	Screw		2	
	11	826.1.003.1A	Keep plate		1	
	12	75130.2566	Bearing		2	
	13	93783.2552	Seal ring		1	
	14	713.1.140.1A	Spacer		2	
	15	60N101079	Screw		2	
	16	93785.1830	Seal ring		1	
	17	75794.1542	Bearing		1	
	18	73503.3380	Circlip		2	
	19	77499.3421	Gearbox pin bush		1	
	20	702.5.008.1A	Bearing		1	
	21	710.1.005.2A	Bearing holder bush		1	
	22	0370.49.250	Washer		1	
	23	0011.52.010	Locating dowel		2	
	24	771.5.136.2B	Screw		3	
	25	75143.3380	Bearing		1	
	26	70620.8090	Screw		4	


NOTES	NO.	CODE NO.	DESCRIPTION	VALIDITY	Q.TY	
	27	771.5.080.2B	Screw		2	
	28	93827.0114	O-ring		1	
	29	75191.3380	Bearing		1	
	30	710.1.012.1B	Bearing holder bush		1	
	31	771.5.072.2B	Screw		7	
	32	711.1.006.1A	Bush		2	
	33	593.1.003.1B	Breather valve		1	
	34	93823.3156	O-ring		1	
	35	8000.62729	Screw		1	
	36	829.1.275.1A	Ring		1	
	37	734306N01	Washer		1	
	38	710.1.032.1A	Bush		1	
	39	711.1.072.1A	Bush		1	
	40	420.2.006.2A	Aluminium gasket		1	
	41	779.1.182.1A	Special screw		1	
	42	815.1.005.1A	Nipple		2	
	43	420.2.006.4A	Aluminium gasket		2	

DRAWING **011** ALTERNATOR COVER

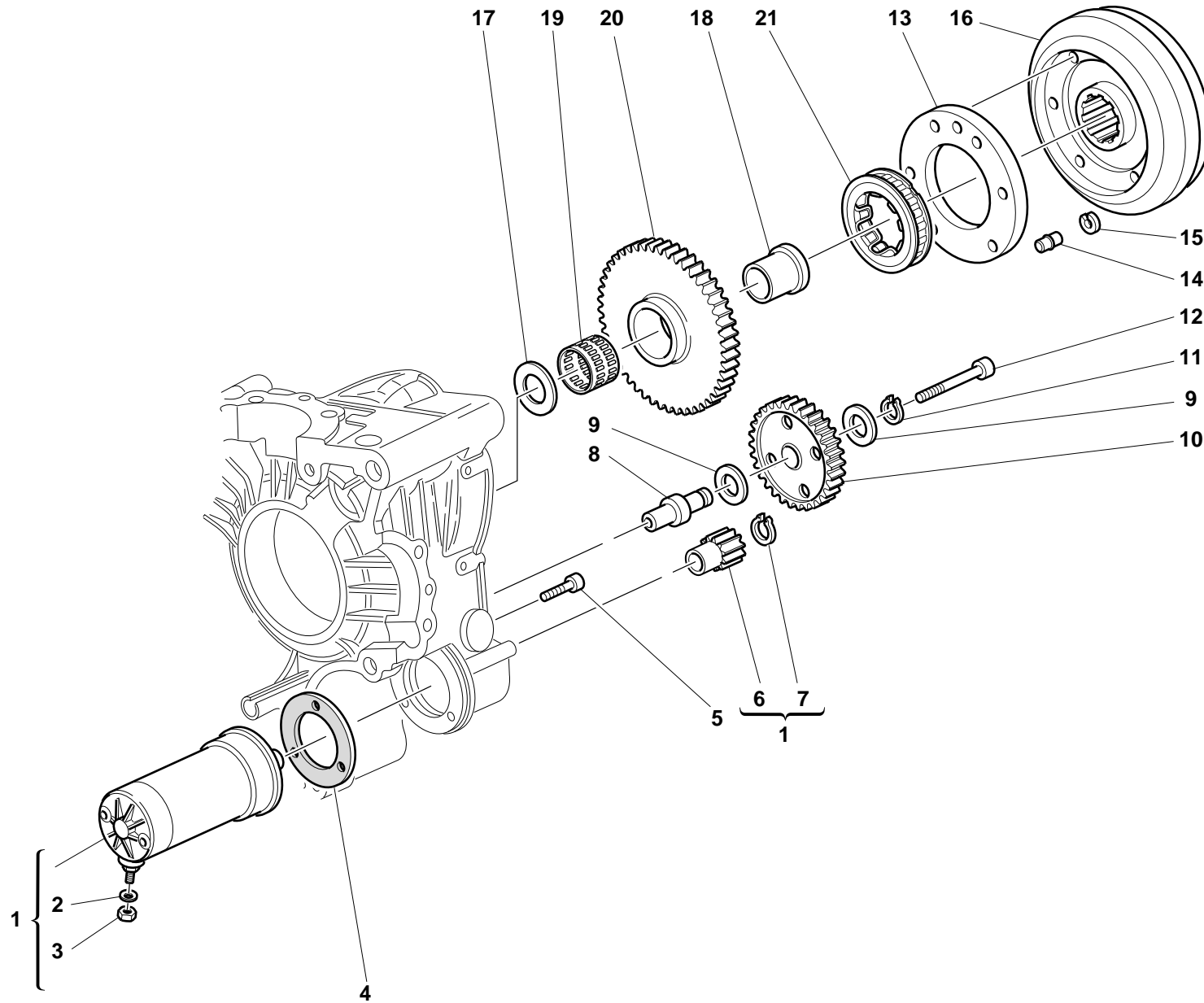


DRAWING **011** ALTERNATOR COVER


NOTES	NO.	CODE NO.	DESCRIPTION	VALIDITY	Q.TY	
	1	264.4.014.2B	Generator		1	
	2	73503.3380	Circlip		1	
	3	702.5.008.1A	Bearing		1	
	4	247.1.083.1AB	Chain cover		1	
	5	771.5.064.2B	Screw		2	
	6	60N102510	Screw		9	
	7	254.1.001.1A	Ignition inspection cap		1	
	8	93823.2131	O-ring		1	
	9	247.1.002.1BB	Cover		1	
	10	777.5.049.2C	Screw		2	
	11	93783.1524	Seal ring		1	
	12	77499.3421	Gearbox pin bush		1	
	13	60N102509	Screw		2	
	14	771.4.006.1A	Screw		8	
	15	94247.0014	Fluid sealant		1	
	16	771.5.073.2B	Screw		3	
	17	60N102511	Screw		2	
	18	0400.49.240	Locating bush		2	
	19	242.2.034.1A	Generator cover		1	
	20	830.1.144.1A	Bracket		1	
	21	771.5.040.2B	Screw		2	
	22	70620.5212	Screw		2	
	23	93823.2056	O-ring		1	
	24	788.1.003.1B	Gasket th.0.5		1	
	24	788.1.012.1A	Gasket th.0.3		1	
	24	788.1.013.1A	Gasket th.0.2		1	

NOTES	NO.	CODE NO.	DESCRIPTION	VALIDITY	Q.TY	
	25	552.4.009.1A	Sensor		1	
	26	734005N01	Spring washer		2	

DRAWING **012** ELECTRIC STARTER AND IGNITION

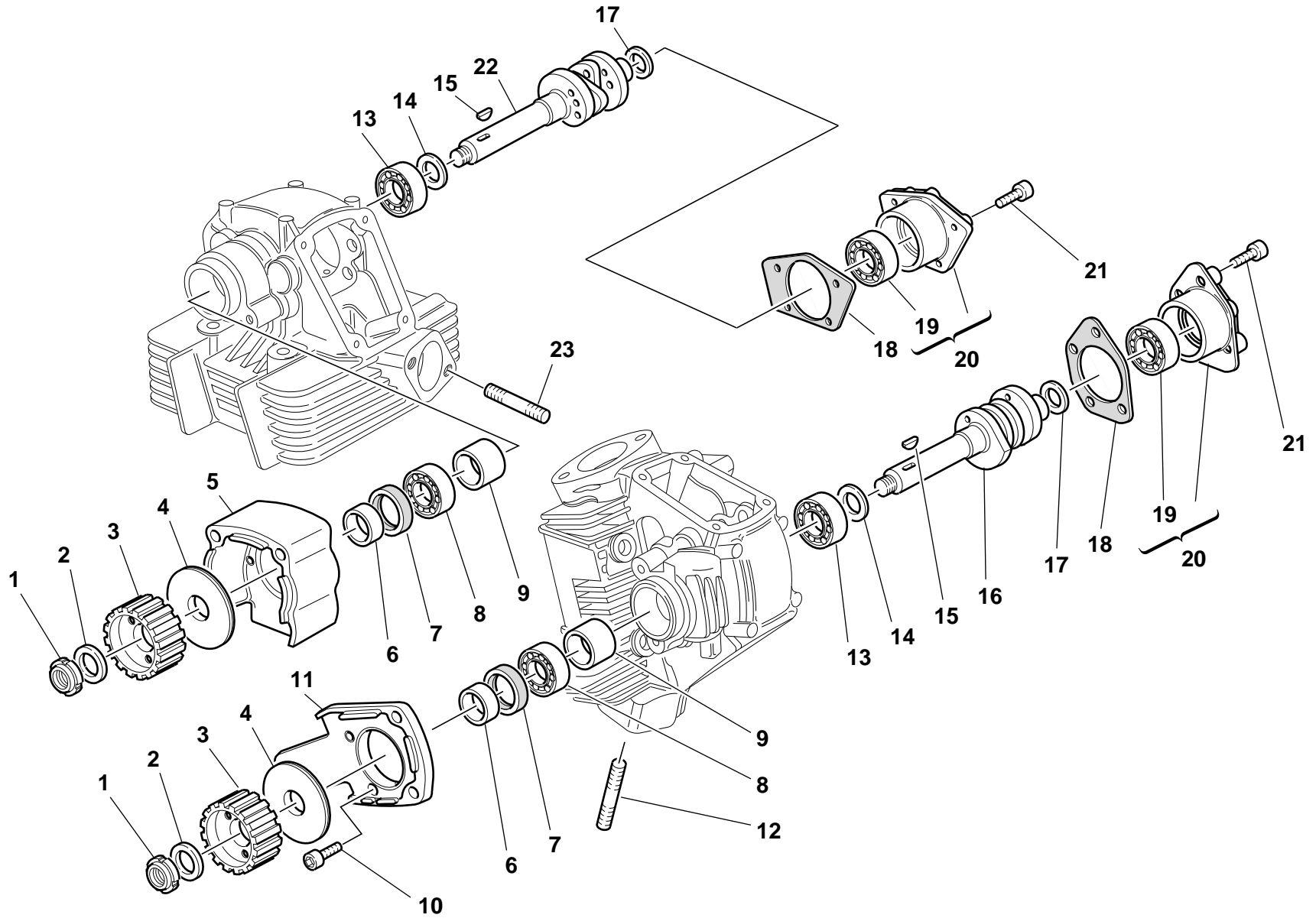


DRAWING **012** **ELECTRIC STARTER AND IGNITION**

NOTES	NO.	CODE NO.	DESCRIPTION	VALIDITY	Q.TY	
	1	270.4.001.1A	Complete starter motor (8-9 included)		1	
	2	734006N01	Spring washer		1	
	3	417.9.050.6A	Nut		1	
	4	788.1.054.1A	Starter motor gasket		1	
	5	60N102510	Screw		3	
	6	176.1.001.1A	Starter motor sprocket		1	
	7	73500.1237	Circlip		1	
	8	0660.50.020	Intermediate gear pin		1	
	9	0124.40.050	Washer		2	
	10	176.1.002.1A	Intermediate gear assembly		1	
	11	73500.1440	Circlip		1	
	12	771.5.078.2B	Screw		1	
	13	160.1.057.1A	Flange		1	
	14	863.1.002.1A	Locating pin		1	
	15	0647.29.040	Check ring		1	
	16	276.1.025.1B	Ignition flywheel		1	
	17	0619.50.065	Washer		1	
	18	881.1.010.1C	Inner ring		1	
	19	701.4.003.1A	Needle bearing		1	
	20	173.1.004.1A	Electric starter driven gear		1	
	21	701.4.007.1A	Starter clutch		1	

NOTES	NO.	CODE NO.	DESCRIPTION	VALIDITY	Q.TY	
-------	-----	----------	-------------	----------	------	---

DRAWING **013** HEAD: TIMING



DRAWING **013** HEAD: TIMING

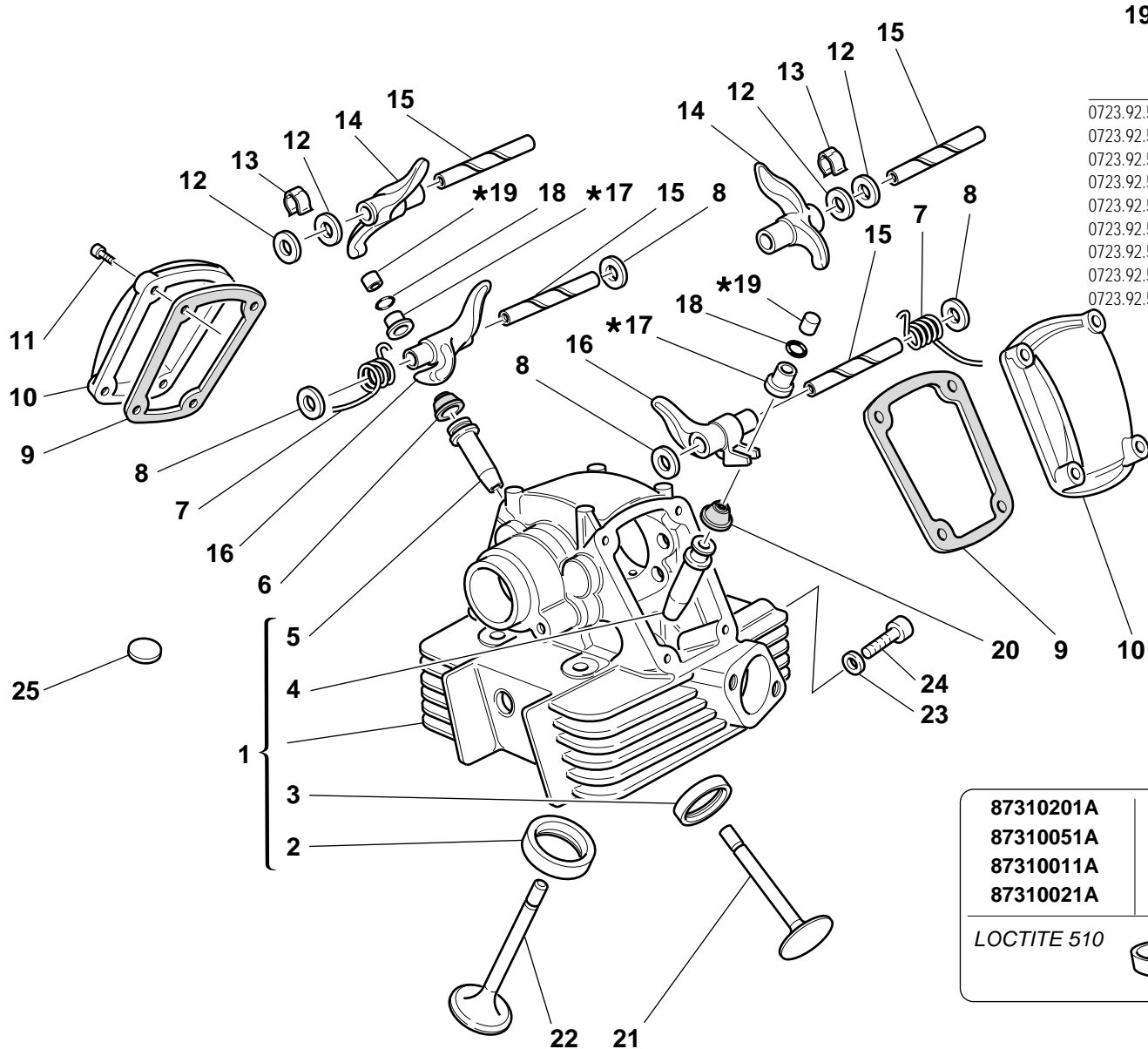
NOTES	NO.	CODE NO.	DESCRIPTION	VALIDITY	Q.TY	
	1	72944.1542	Elastic-stop ring nut		2	
	2	0797.69.040	Washer		2	
	3	255.1.004.1A	Timing belt roller		2	
	4	856.1.002.1A	Belt roller separating washer		2	
	5	235.1.007.3A	Vertical rubber cap		1	
	6	713.1.006.1A	Belt roller spacer		2	
	7	0204.70.105	Seal ring		2	
	8	75110.1747	Bearing		2	
	9	0660.29.030	Spacer		2	
	10	60N107335	Screw		4	
	11	235.1.008.1A	Horizontal rubber cap		1	
	12	0370.92.050	Stud bolt		4	
	13	75110.2054	Bearing		2	
	14	0400.16.190	Washer		2	
	15	74172.1008	Woodruff key		2	
	16	148.1.066.1A	Horizontal head camshaft		1	
	17	0400.29.125	Shim th. 0.2		0	
	17	0400.29.126	Shim th. 0.5		4	
	18	0660.92.310	Cap gasket		2	
	19	75173.1542	Bearing		2	
	20	235.2.015.2A	Cap with bearing		2	
	21	60N102509	Screw		8	
	22	148.1.067.1A	Vertical head camshaft		1	
	23	417.5.033.7A	Stud bolt		4	

NOTES	NO.	CODE NO.	DESCRIPTION	VALIDITY	Q.TY	
-------	-----	----------	-------------	----------	------	---

DRAWING **014** VERTICAL HEAD

17 ★ Scodellino ritorno
Return cap
Coupelle retour
Einstellhülse


0727.92.050	— 5	0727.92.171	— 7,15
0727.92.150	— 5,05	0727.92.072	— 7,2
0727.92.051	— 5,10	0727.92.172	— 7,25
0727.92.151	— 5,15	0727.92.073	— 7,30
0727.92.052	— 5,2	0727.92.173	— 7,35
0727.92.152	— 5,25	0727.92.074	— 7,4
0727.92.053	— 5,30	0727.92.174	— 7,45
0727.92.153	— 5,35	0727.92.075	— 7,50
0727.92.054	— 5,4	0727.92.175	— 7,55
0727.92.154	— 5,45	0727.92.076	— 7,6
0727.92.055	— 5,50	0727.92.176	— 7,65
0727.92.155	— 5,55	0727.92.077	— 7,70
0727.92.056	— 5,6	0727.92.177	— 7,75
0727.92.156	— 5,65	0727.92.078	— 7,8
0727.92.057	— 5,70	0727.92.178	— 7,85
0727.92.157	— 5,75	0727.92.079	— 7,90
0727.92.058	— 5,8	0727.92.179	— 7,95
0727.92.158	— 5,85	0727.92.080	— 8
0727.92.059	— 5,90	0727.92.180	— 8,05
0727.92.159	— 5,95	0727.92.081	— 8,10
0727.92.060	— 6	0727.92.181	— 8,15
0727.92.160	— 6,05	0727.92.082	— 8,2
0727.92.061	— 6,10	0727.92.182	— 8,25
0727.92.161	— 6,15	0727.92.083	— 8,3
0727.92.062	— 6,2	0727.92.183	— 8,35
0727.92.162	— 6,25	0727.92.084	— 8,4
0727.92.063	— 6,30	0727.92.184	— 8,45
0727.92.163	— 6,35	0727.92.085	— 8,5
0727.92.064	— 6,4	0727.92.185	— 8,55
0727.92.164	— 6,45	0727.92.086	— 8,6
0727.92.065	— 6,50	0727.92.186	— 8,65
0727.92.165	— 6,55	0727.92.087	— 8,7
0727.92.066	— 6,6	0727.92.187	— 8,75
0727.92.166	— 6,65	0727.92.088	— 8,8
0727.92.067	— 6,70	0727.92.188	— 8,85
0727.92.167	— 6,75	0727.92.089	— 8,9
0727.92.068	— 6,8	0727.92.189	— 8,95
0727.92.168	— 6,85	0727.92.090	— 9
0727.92.069	— 6,90	0727.92.092	— 9,2
0727.92.169	— 6,95	0727.92.094	— 9,4
0727.92.070	— 7	0727.92.096	— 9,6
0727.92.170	— 7,05		
0727.92.071	— 7,10		



19 ★ Registro bilanciare
Adjustment
Réglage
Ventilkäppchen


0723.92.500	— 2	0723.92.575	— 2,45
0723.92.535	— 2,05	0723.92.505	— 2,5
0723.92.501	— 2,1	0723.92.585	— 2,55
0723.92.545	— 2,15	0723.92.506	— 2,6
0723.92.502	— 2,2	0723.92.595	— 2,65
0723.92.555	— 2,25	0723.92.507	— 2,7
0723.92.503	— 2,3	0723.92.605	— 2,75
0723.92.565	— 2,35	0723.92.508	— 2,8
0723.92.504	— 2,4	0723.92.615	— 2,85
		0723.92.509	— 2,9
		0723.92.625	— 2,95
		0723.92.510	— 3
		0723.92.635	— 3,05
		0723.92.511	— 3,1
		0723.92.645	— 3,15
		0723.92.512	— 3,2
		0723.92.655	— 3,25
		0723.92.513	— 3,3
		0723.92.675	— 3,35
		0723.92.514	— 3,4
		0723.92.685	— 3,45
		0723.92.515	— 3,5
		0723.92.695	— 3,55
		0723.92.516	— 3,6
		0723.92.705	— 3,65
		0723.92.517	— 3,7
		0723.92.715	— 3,75
		0723.92.518	— 3,8
		0723.92.725	— 3,85
		0723.92.519	— 3,9
		0723.92.735	— 3,95
		0723.92.520	— 4
		0723.92.745	— 4,05
		0723.92.521	— 4,1
		0723.92.522	— 4,2
		0723.92.523	— 4,3
		0723.92.524	— 4,4
		0723.92.525	— 4,5
		0723.92.526	— 4,6
		0723.92.527	— 4,7
		0723.92.528	— 4,8
		0723.92.529	— 4,9
		0723.92.530	— 5

87310201A	-20
87310051A	-18
87310011A	-16
87310021A	-10

LOCTITE 510 

DRAWING **014** VERTICAL HEAD

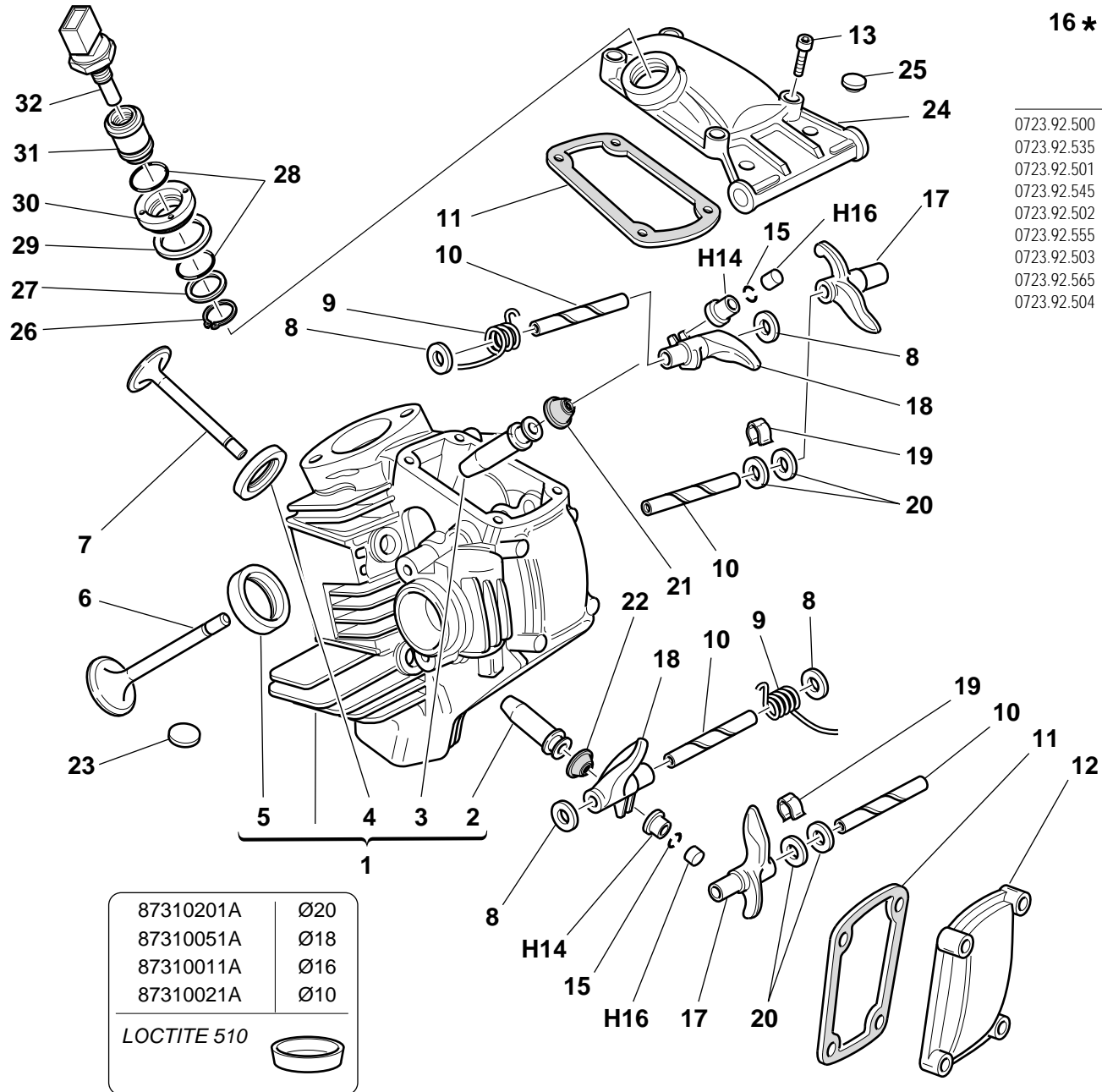
NOTES	NO.	CODE NO.	DESCRIPTION	VALIDITY	Q.TY	
	1	301.2.018.1BA	Vertical head (2,3,6,7 included)		1	
	2	304.1.005.2A	Intake valve seat		1	
	2	304.1.005.2AB	Oversize intake valve seat 0.03		1	
	2	304.1.005.2AC	Oversize intake valve seat 0.06		1	
	3	304.1.006.2A	Exhaust valve seat		1	
	3	304.1.006.2AB	Oversize exhaust valve seat 0.03		1	
	3	304.1.006.2AC	Oversize exhaust valve seat 0.06		1	
	4	303.1.003.1A	Intake valve cast iron guide		1	
	4	303.1.003.1AB	Oversize valve guide 0.03		1	
	4	303.1.003.1AC	Oversize valve guide 0.06		1	
	4	303.1.003.1AD	Oversize valve guide 0.09		1	
	5	303.2.004.1C	Exhaust valve bronze guide		1	
	5	303.2.004.1CB	Oversize valve guide 0.03		1	
	5	303.2.004.1CC	Oversize valve guide 0.06		1	
	5	303.2.004.1CD	Oversize valve guide 0.09		1	
	6	764.1.013.1A	Valve seal		1	
	7	799.1.061.1A	Closing rocker spring		2	
	8	0619.92.180	Shim th. 0.3		6	
	8	0670.92.190	Shim th. 2		4	
	8	0765.92.185	Shim th. 1		2	
	8	0765.92.190	Shim th. 0.5		4	
	8	0765.92.195	Shim th. 0.1		2	
	8	0765.92.205	Shim th. 0.2		8	
	9	788.1.032.2A	Valve cover gasket		2	
	10	240.1.010.1AB	Valve cover		2	
	11	60N102509	Screw		8	

NOTES	NO.	CODE NO.	DESCRIPTION	VALIDITY	Q.TY	
	12	0647.70.010	Shim		4	
	13	0375.92.210	Spring		2	
	14	0375.92.170	Opening rocker		2	
	15	0660.92.240	Rocker shaft		4	
	15	0660.92.245	Oversize rocker shaft 0.02		4	
	16	0660.92.183	Closing rocker		2	
	17	0727.92.239	See table		2	
	18	669.1.003.1A	Split rings		4	
	19	0723.92.239	See table		2	
	20	764.1.009.1A	Valve seal		1	
	21	211.1.003.4A	Exhaust valve		1	
	22	210.1.003.5A	Intake valve		1	
	23	420.2.000.7A	Copper gasket		1	
	24	779.1.133.1A	Screw		1	
	25	0670.17.395	Vibration damper pad		22	

DRAWING **015** HORIZONTAL HEAD

14 ★ Scodellino ritorno
Return cap
Coupelle retour
Einstellhülse

0727.92.050	— 5	0727.92.171	— 7,15
0727.92.150	— 5,05	0727.92.072	— 7,2
0727.92.051	— 5,10	0727.92.172	— 7,25
0727.92.151	— 5,15	0727.92.073	— 7,30
0727.92.052	— 5,2	0727.92.173	— 7,35
0727.92.152	— 5,25	0727.92.074	— 7,4
0727.92.053	— 5,30	0727.92.174	— 7,45
0727.92.153	— 5,35	0727.92.075	— 7,50
0727.92.054	— 5,4	0727.92.175	— 7,55
0727.92.154	— 5,45	0727.92.076	— 7,6
0727.92.055	— 5,50	0727.92.176	— 7,65
0727.92.155	— 5,55	0727.92.077	— 7,70
0727.92.056	— 5,6	0727.92.177	— 7,75
0727.92.156	— 5,65	0727.92.078	— 7,8
0727.92.057	— 5,70	0727.92.178	— 7,85
0727.92.157	— 5,75	0727.92.079	— 7,90
0727.92.058	— 5,8	0727.92.179	— 7,95
0727.92.158	— 5,85	0727.92.080	— 8
0727.92.059	— 5,90	0727.92.180	— 8,05
0727.92.159	— 5,95	0727.92.081	— 8,10
0727.92.060	— 6	0727.92.181	— 8,15
0727.92.160	— 6,05	0727.92.082	— 8,2
0727.92.061	— 6,10	0727.92.182	— 8,25
0727.92.161	— 6,15	0727.92.083	— 8,3
0727.92.062	— 6,2	0727.92.183	— 8,35
0727.92.162	— 6,25	0727.92.084	— 8,4
0727.92.063	— 6,30	0727.92.184	— 8,45
0727.92.163	— 6,35	0727.92.085	— 8,5
0727.92.064	— 6,4	0727.92.185	— 8,55
0727.92.164	— 6,45	0727.92.086	— 8,6
0727.92.065	— 6,50	0727.92.186	— 8,65
0727.92.165	— 6,55	0727.92.087	— 8,7
0727.92.066	— 6,6	0727.92.187	— 8,75
0727.92.166	— 6,65	0727.92.088	— 8,8
0727.92.067	— 6,70	0727.92.188	— 8,85
0727.92.167	— 6,75	0727.92.089	— 8,9
0727.92.068	— 6,8	0727.92.189	— 8,95
0727.92.168	— 6,85	0727.92.090	— 9
0727.92.069	— 6,90	0727.92.092	— 9,2
0727.92.169	— 6,95	0727.92.094	— 9,4
0727.92.070	— 7	0727.92.096	— 9,6
0727.92.170	— 7,05		
0727.92.071	— 7,10		




16 ★ Registro bilanciere
Adjustment
Réglage
Ventilkäppchen

0723.92.500	— 2	0723.92.575	— 2,45
0723.92.535	— 2,05	0723.92.505	— 2,5
0723.92.501	— 2,1	0723.92.585	— 2,55
0723.92.545	— 2,15	0723.92.506	— 2,6
0723.92.502	— 2,2	0723.92.595	— 2,65
0723.92.555	— 2,25	0723.92.507	— 2,7
0723.92.503	— 2,3	0723.92.605	— 2,75
0723.92.565	— 2,35	0723.92.508	— 2,8
0723.92.504	— 2,4	0723.92.615	— 2,85
		0723.92.509	— 2,9
		0723.92.625	— 2,95
		0723.92.510	— 3
		0723.92.635	— 3,05
		0723.92.511	— 3,1
		0723.92.645	— 3,15
		0723.92.512	— 3,2
		0723.92.655	— 3,25
		0723.92.513	— 3,3
		0723.92.675	— 3,35
		0723.92.514	— 3,4
		0723.92.685	— 3,45
		0723.92.515	— 3,5
		0723.92.695	— 3,55
		0723.92.516	— 3,6
		0723.92.705	— 3,65
		0723.92.517	— 3,7
		0723.92.715	— 3,75
		0723.92.518	— 3,8
		0723.92.725	— 3,85
		0723.92.519	— 3,9
		0723.92.735	— 3,95
		0723.92.520	— 4
		0723.92.745	— 4,05
		0723.92.521	— 4,1
		0723.92.522	— 4,2
		0723.92.523	— 4,3
		0723.92.524	— 4,4
		0723.92.525	— 4,5
		0723.92.526	— 4,6
		0723.92.527	— 4,7
		0723.92.528	— 4,8
		0723.92.529	— 4,9
		0723.92.530	— 5

DRAWING **015** HORIZONTAL HEAD

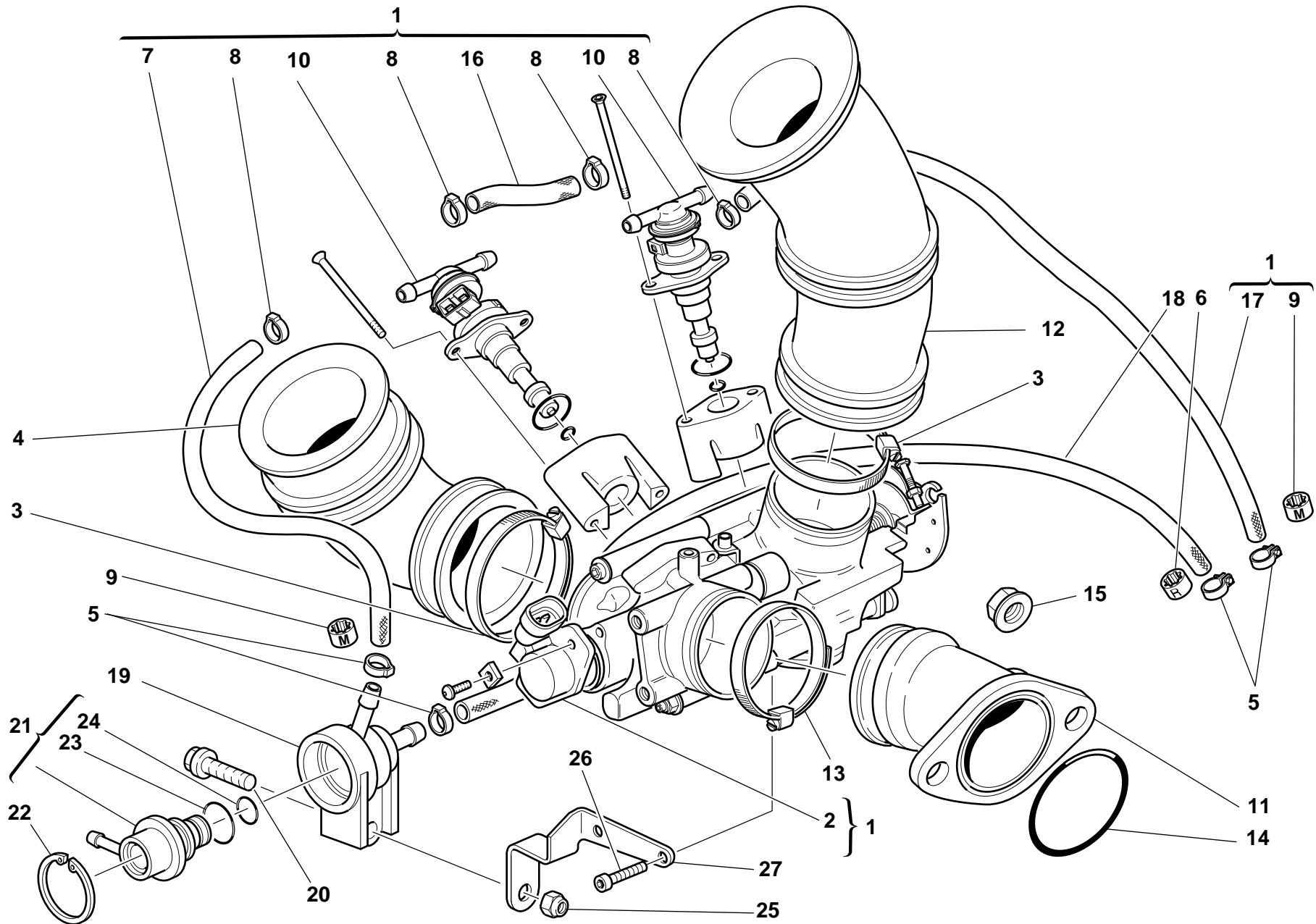
NOTES	NO.	CODE NO.	DESCRIPTION	VALIDITY	Q.TY	
	1	301.2.019.2BA	Horizontal head (2,3,6,7 included)		1	
	2	303.2.004.1C	Exhaust valve bronze guide		1	
	2	303.2.004.1CB	Oversize valve guide 0.03		1	
	2	303.2.004.1CC	Oversize valve guide 0.06		1	
	2	303.2.004.1CD	Oversize valve guide 0.09		1	
	3	303.1.003.1A	Intake valve cast iron guide		1	
	3	303.1.003.1AB	Oversize valve guide 0.03		1	
	3	303.1.003.1AC	Oversize valve guide 0.06		1	
	3	303.1.003.1AD	Oversize valve guide 0.09		1	
	4	304.1.005.2A	Intake valve seat		1	
	4	304.1.005.2AB	Oversize intake valve seat 0.03		1	
	4	304.1.005.2AC	Oversize intake valve seat 0.06		1	
	5	304.1.006.2A	Exhaust valve seat		1	
	5	304.1.006.2AB	Oversize exhaust valve seat 0.03		1	
	5	304.1.006.2AC	Oversize exhaust valve seat 0.06		1	
	6	211.1.003.4A	Exhaust valve		1	
	7	210.1.003.5A	Intake valve		1	
	8	0619.92.180	Shim th. 0.3		6	
	8	0670.92.190	Shim th. 2		4	
	8	0765.92.185	Shim th. 1		2	
	8	0765.92.190	Shim th. 0.5		4	
	8	0765.92.195	Shim th. 0.1		2	
	8	0765.92.205	Shim th. 0.2		8	
	9	799.1.061.1A	Closing rocker spring		2	
	10	0660.92.240	Rocker shaft		4	
	10	0660.92.245	Oversize rocker shaft 0.02		4	

CATALOGUE No: **915.1.061.1C**
ISSUED: **05 - 00**


NOTES	NO.	CODE NO.	DESCRIPTION	VALIDITY	Q.TY	
	11	788.1.032.2A	Valve cover gasket		2	
	12	240.1.010.1AB	Valve cover		1	
	13	60N102509	Screw		8	
	14	0727.92.239	See table		2	
	15	669.1.003.1A	Split rings		4	
	16	0723.92.239	See table		2	
	17	0375.92.170	Opening rocker		2	
	18	0660.92.183	Closing rocker		2	
	19	0375.92.210	Spring		2	
	20	0647.70.010	Shim		4	
	21	764.1.009.1A	Valve seal		1	
	22	764.1.013.1A	Valve seal		1	
	23	0670.17.395	Vibration damper pad		20	
	24	240.1.012.1BB	Intake valve cover		1	
	25	300160	Rubber cap		2	
	26	73500.1747	Snap ring		1	
	27	713.1.137.1A	Spacer		1	
	28	886.4.028.1A	O-Ring		2	
	29	787.1.008.1A	Aluminium gasket		1	
	30	703.1.019.1A	Ring nut		1	
	31	829.1.235.1A	Holder sensor		1	
	32	552.4.013.1A	Water temperature sensor		1	

CATALOGUE No: **915.1.061.1C**
ISSUED: **05 - 00**

DRAWING **016** THROTTLE BODY

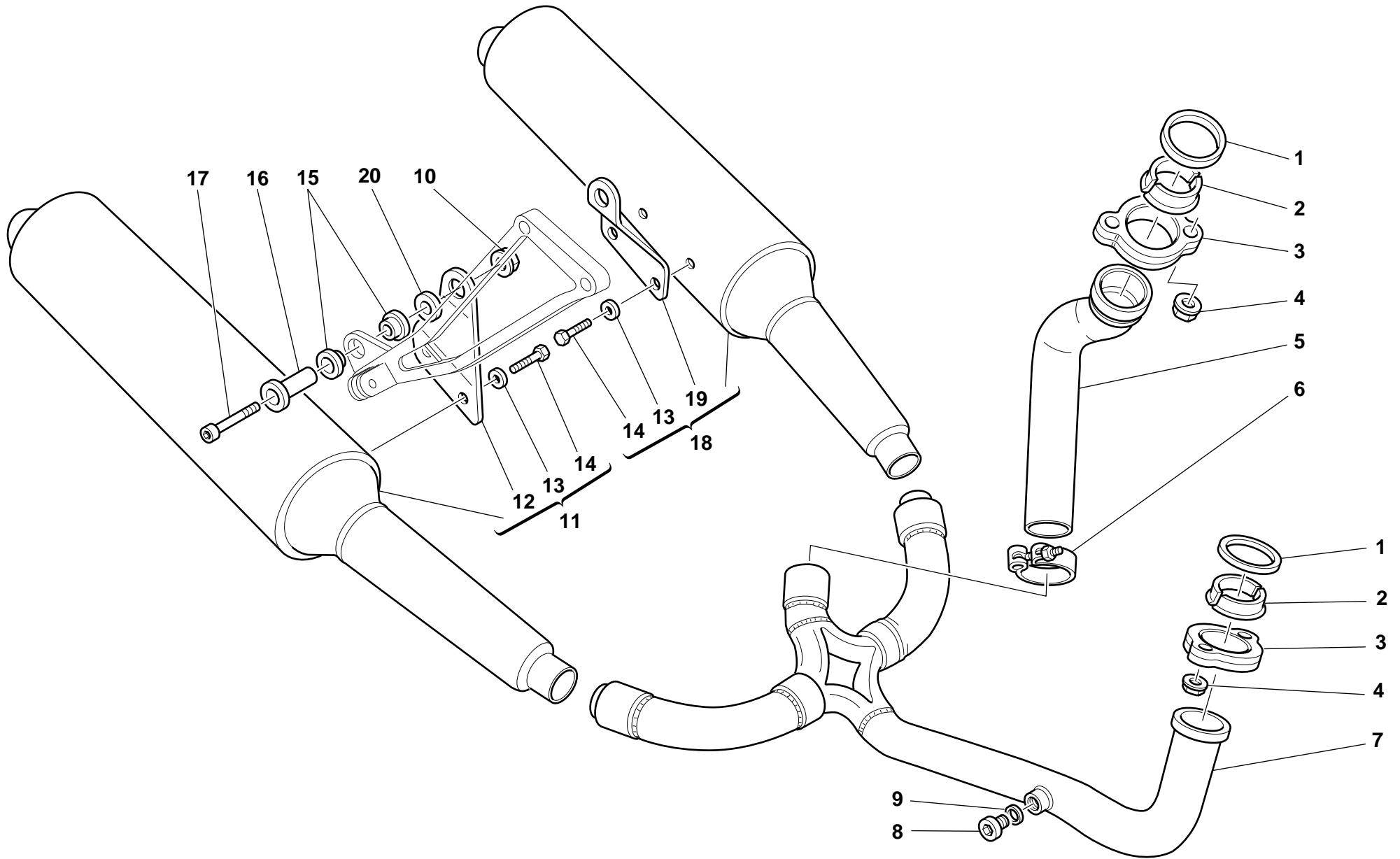


DRAWING **016** THROTTLE BODY


NOTES	NO.	CODE NO.	DESCRIPTION	VALIDITY	Q.TY	
	1	282.4.018.1A	Feed unit assembly		1	
	2	284.4.002.1A	Potentiometer		1	
	3	741.4.022.1A	Clamp		2	
	4	801.1.024.2A	Hose		1	
	5	741.4.004.1A	Clamp		2	
	6	741.4.041.1A	Clamp "R"		1	
	7	590.1.104.1A	Tube		1	
	8	287.4.024.1B	Clamp		6	
	9	741.4.040.1A	Clamp "M"		1	
	10	280.4.002.1A	Injector		2	
	11	137.1.003.2B	Intake duct		2	
	12	801.1.023.2A	Hose		1	
	13	741.4.042.1A	Clamp		2	
	14	463.2.022.2A	O-Ring		2	
	15	729908FN1	Nut		4	
	16	590.1.096.1A	Tube		1	
	17	590.1.103.1A	Tube		1	
	18	590.1.099.1A	Tube		1	
	19	830.1.091.2A	Holder		1	
	20	8000.62729	Screw		1	
	21	283.4.003.1A	Pressure regulator		1	
	22	73503.3449	Circlip		1	
	23	886.4.022.1A	O-ring		1	
	24	886.4.021.1A	O-ring		1	
	25	0335.03.465	El-stop nut		1	
	26	70620.5212	Screw		2	

NOTES	NO.	CODE NO.	DESCRIPTION	VALIDITY	Q.TY	
	27	827.1.179.1A	Regulator bracket		1	

DRAWING **017** EXHAUST SYSTEM

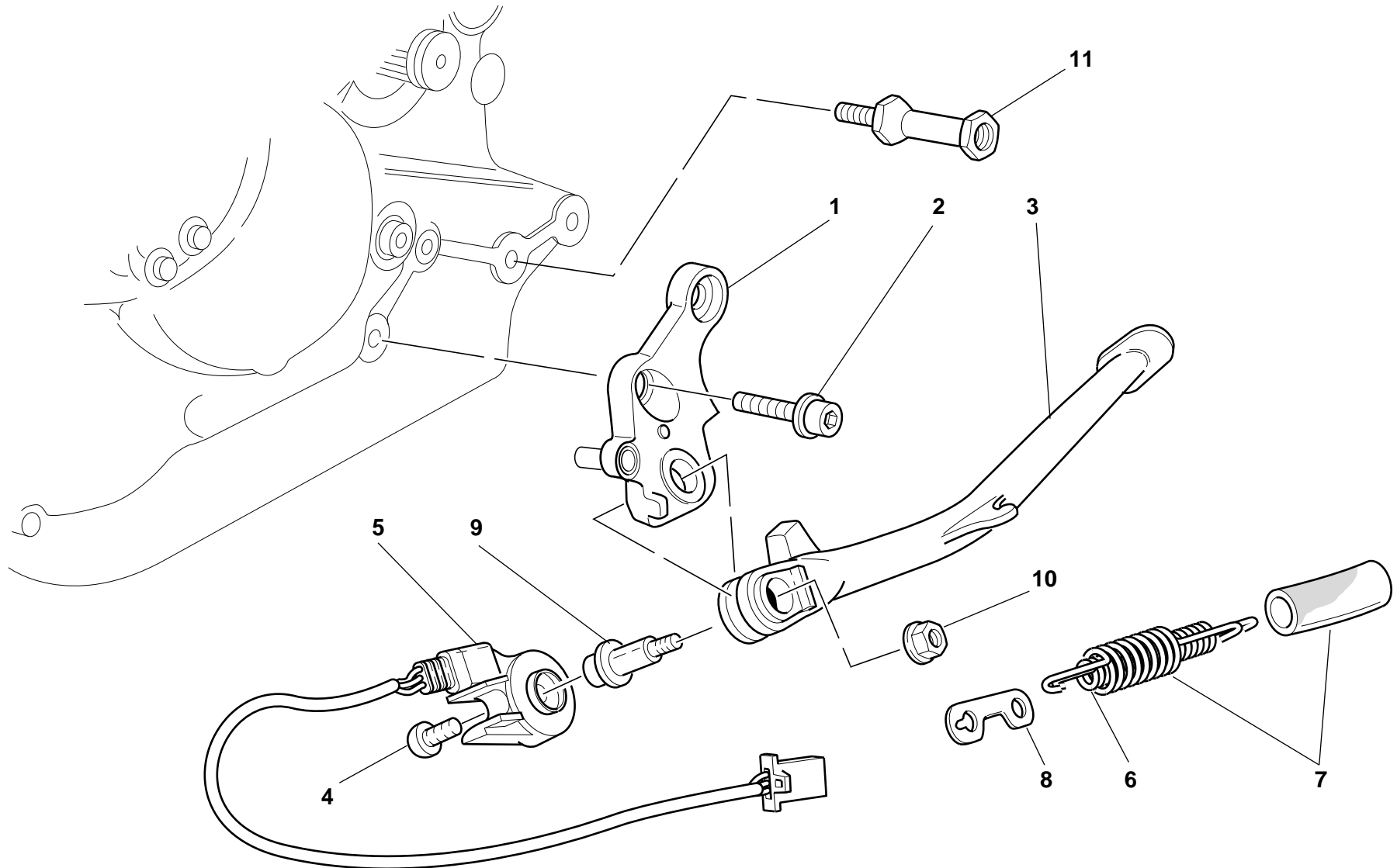


DRAWING **017** EXHAUST SYSTEM


NOTES	NO.	CODE NO.	DESCRIPTION	VALIDITY	Q.TY	
	1	0370.84.005	Exhaust gasket		2	
	2	0619.84.015	Half bushes		4	
	3	575.1.001.1AB	Exhaust ring nut (GREY)		2	
	4	0404.02.390	Nut		4	
	5	571.1.038.1A	Vertical head exhaust pipe		1	
	6	741.1.003.1A	Clamp		1	
	7	570.1.038.1A	Horizontal head exhaust pipe		1	
	8	780.1.007.1A	Cap		2	
	9	420.2.001.0A	Copper gasket		2	
	10	729908FN1	Nut		2	
	11	573.1.047.1A	R.H. silencer		1	
	12	576.1.031.1A	R.H. bracket		1	
	13	73270.8001	Washer		4	
	14	70914.2121	Screw		4	
	15	764.1.001.1A	Rubber pad		4	
	16	684.1.044.1A	Stud bolt		2	
	17	779.5.016.1A	Screw		2	
	18	574.1.047.1A	L.H. silencer		1	
	19	576.1.032.1A	L.H. bracket		1	
	20	852.1.099.1A	Washer		2	

NOTES	NO.	CODE NO.	DESCRIPTION	VALIDITY	Q.TY	
-------	-----	----------	-------------	----------	------	---

DRAWING **018** STANDS



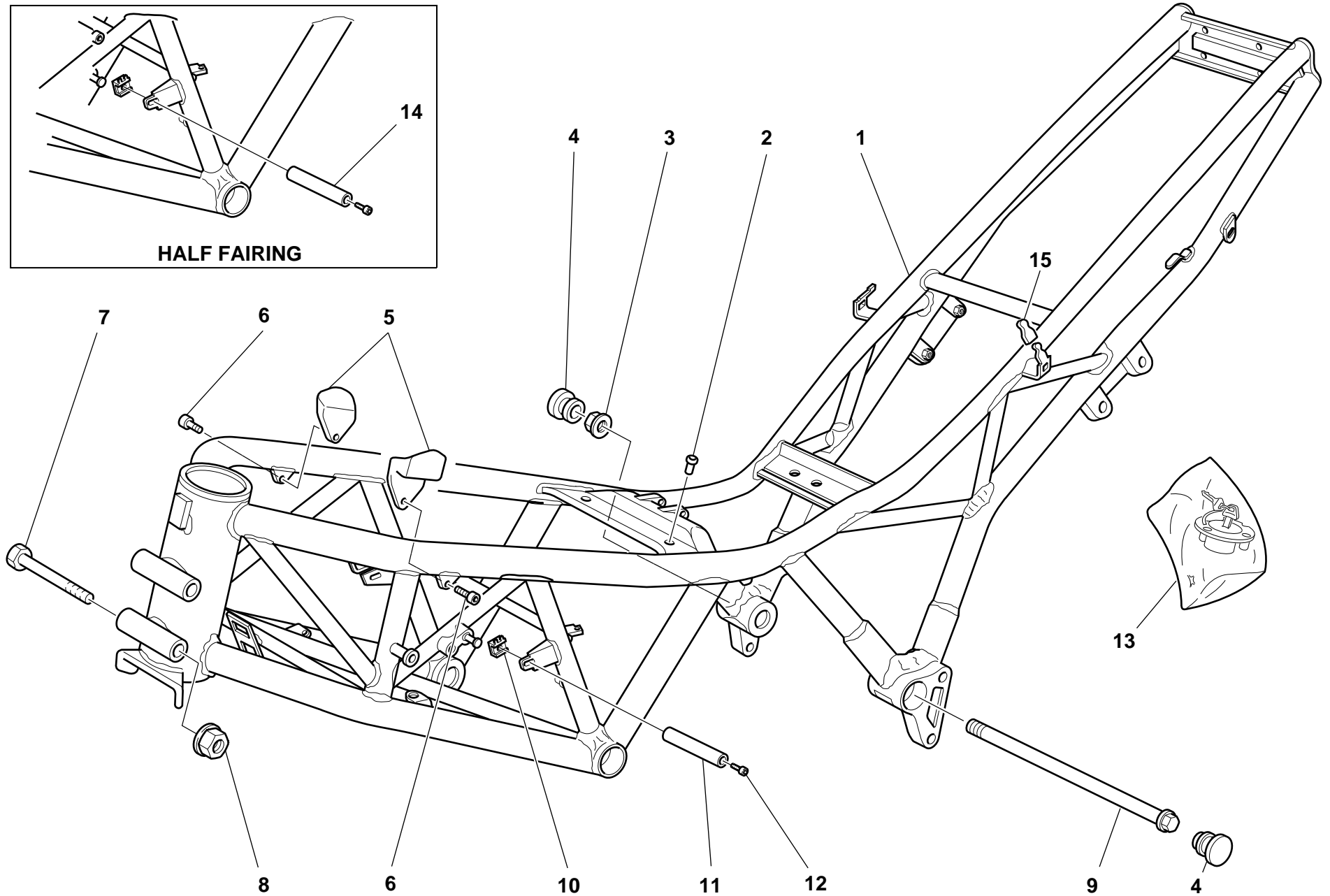
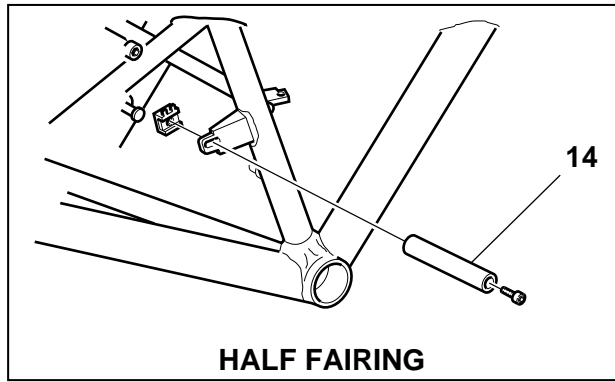
DRAWING **018** STANDS

NOTES	NO.	CODE NO.	DESCRIPTION	VALIDITY	Q.TY	
	1	556.2.021.1A	Plate		1	
	2	60N101206	Screw		2	
	3	556.1.023.1A	Side stand		1	
	4	779.4.005.1A	Screw		1	
	5	539.1.023.1A	Switch		1	
	6	799.1.089.1A	Spring		1	
	7	799.1.088.1A	Outer spring		1	
	8	827.1.139.1B	Plate		1	
	9	556.1.018.1C	Pivot		1	
	10	749.4.045.2G	Nut		1	
	11	684.1.025.1A	Stud bolt		1	


NOTES	NO.	CODE NO.	DESCRIPTION	VALIDITY	Q.TY	
-------	-----	----------	-------------	----------	------	---

DRAWING **019**

FRAME

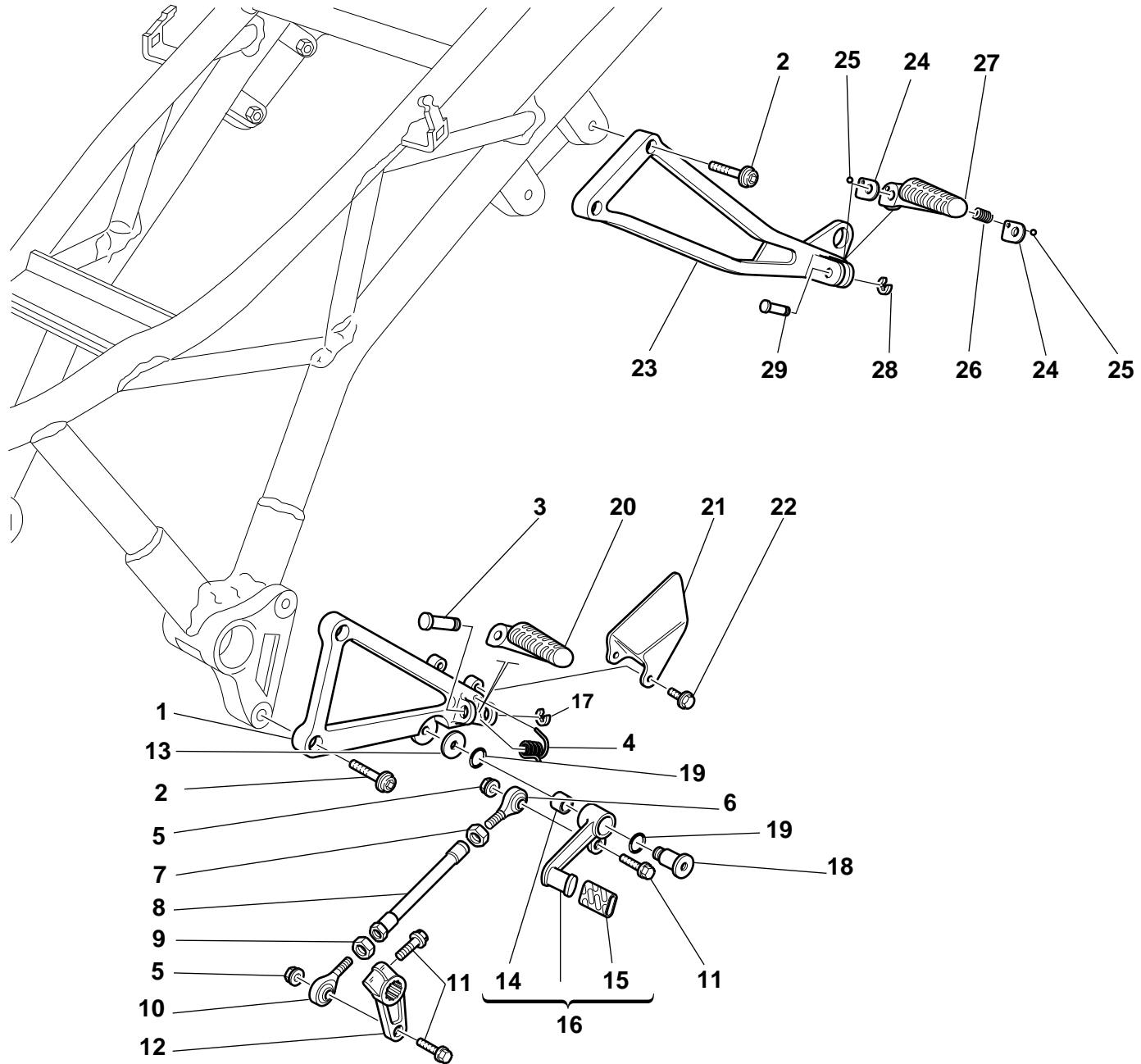


DRAWING **019** FRAME

NOTES	NO.	CODE NO.	DESCRIPTION	VALIDITY	Q.TY	
	1	470.1.042.1AB	Frame		1	
	2	764.4.004.1A	Fairlead		1	
	3	729910FF1	Nut		2	
	4	872.1.026.1A	Cap		4	
	5	866.1.035.1A	Rubber pad		2	
	6	771.5.663.2B	Screw		2	
	7	772.5.022.1A	Screw		2	
	8	729908FN1	Nut		2	
	9	772.1.001.1A	Screw		2	
	10	0960.91.130	Nut		2	
	11	684.1.027.2A	Stud bolt		2	
	12	60N102511	Screw		2	
	13	598.2.026.2A	Locks kit		1	
	14	684.1.045.1A	Stud bolt		2	
	15	866.1.038.1A	Protection		2	


NOTES	NO.	CODE NO.	DESCRIPTION	VALIDITY	Q.TY	
-------	-----	----------	-------------	----------	------	---

DRAWING **020** L.H. FOOT RESTS

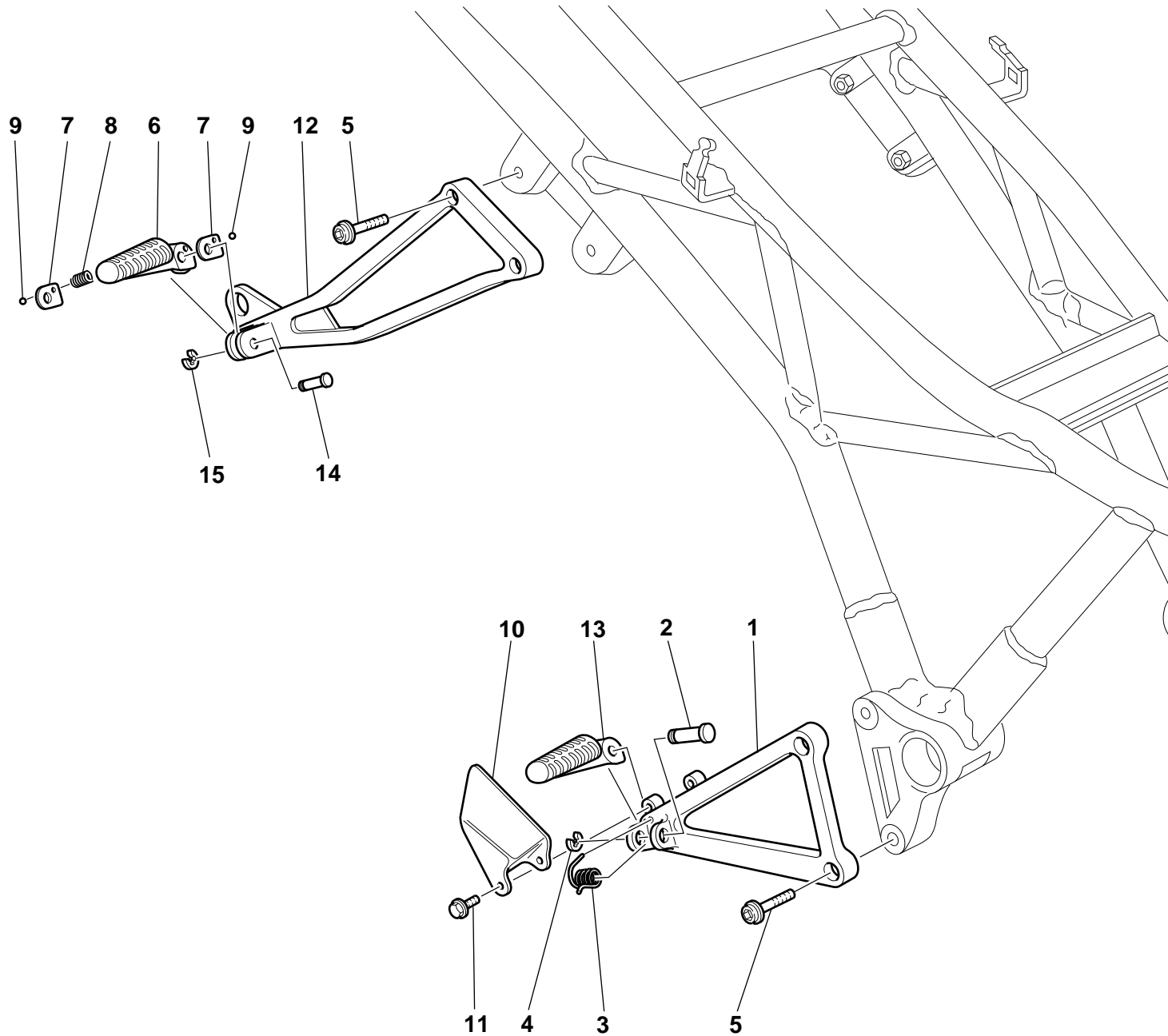


DRAWING **020** L.H. FOOT RESTS


NOTES	NO.	CODE NO.	DESCRIPTION	VALIDITY	Q.TY	
	1	824.1.044.1A	L.H. foot peg holder plate		1	
	2	771.5.723.2B	Screw		4	
	3	821.1.051.1A	Pin		1	
	4	799.1.045.1A	Spring		1	
	5	763106N01	El-stop nut		2	
	6	76401.0002	Ball joint		1	
	7	60N115062	Nut		1	
	8	117.1.030.1A	Gearbox transmission rod		1	
	9	747.5.001.1A	L.H. nut		1	
	10	76401.0003	Ball joint		1	
	11	771.5.667.2B	Screw		3	
	12	0370.69.020	Gearchange control lever		1	
	13	852.1.053.1A	Washer		1	
	14	0000.59056	Bush		1	
	15	764.1.011.1A	Rubber pad		1	
	16	456.2.007.1A	Gearchange lever		1	
	17	884.5.003.1A	Ring		1	
	18	80A0.53548	Pin		1	
	19	0000.01199	O-ring		2	
	20	464.1.005.1A	Front L.H. foot peg		1	
	21	247.1.073.1A	Protection		1	
	22	772.5.025.1A	Screw		2	
	23	824.1.046.1A	Rear L.H. foot peg holder plate		1	
	24	827.1.115.1A	Plate		2	
	25	847.4.002.1A	Ball		1	
	26	8000.62655	Spring		1	

NOTES	NO.	CODE NO.	DESCRIPTION	VALIDITY	Q.TY	
	27	465.1.008.1A	Rear L.H. foot peg		1	
	28	0170.91.730	Ring		1	
	29	821.1.068.1A	Pin		1	

DRAWING **021** R.H. FOOT RESTS

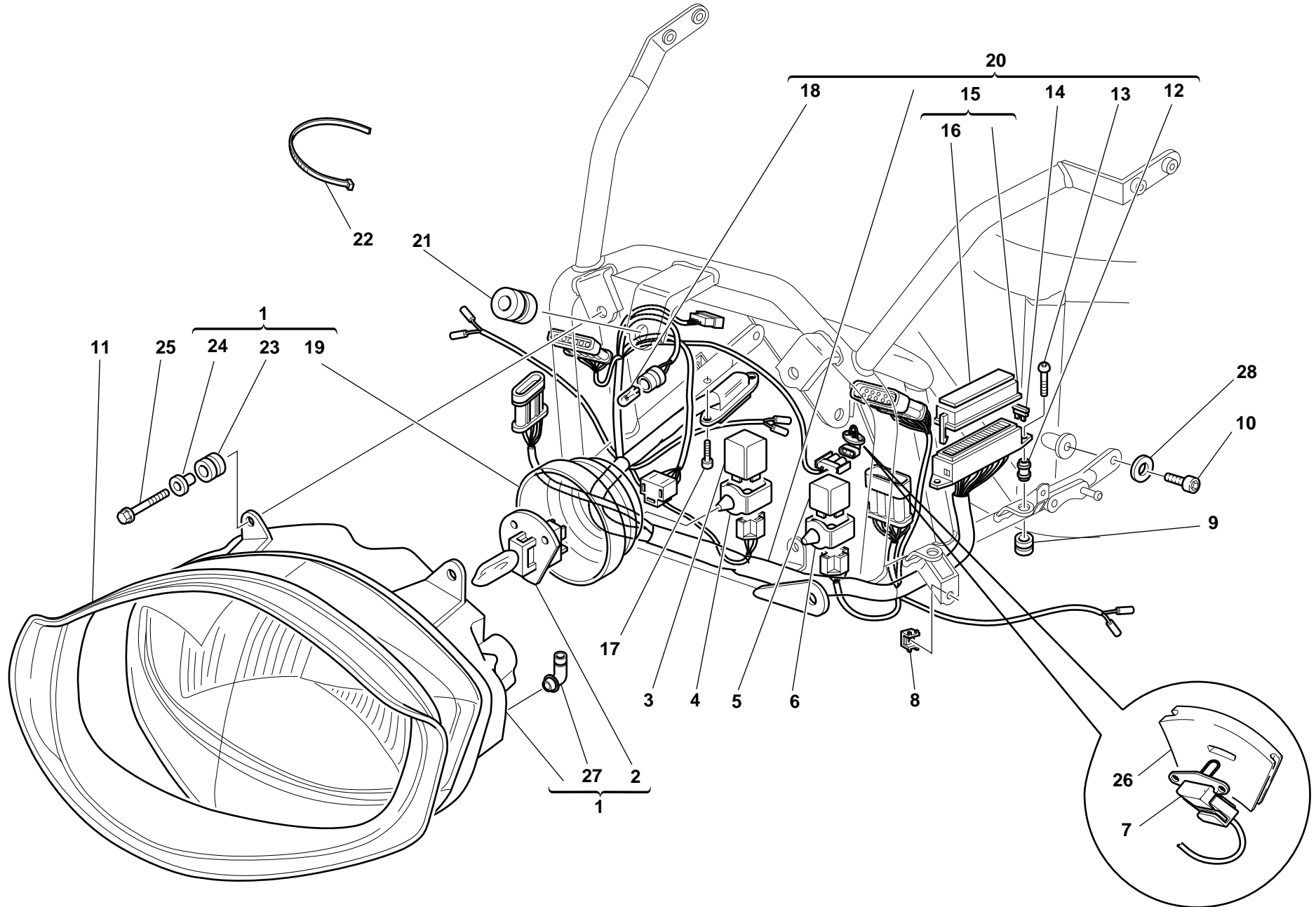


DRAWING **021** R.H. FOOT RESTS

NOTES	NO.	CODE NO.	DESCRIPTION	VALIDITY	Q.TY	
	1	824.1.043.1A	R.H. foot peg holder plate		1	
	2	821.1.051.1A	Pin		1	
	3	799.1.045.1A	Spring		1	
	4	884.5.003.1A	Ring		1	
	5	771.5.723.2B	Screw		4	
	6	465.1.010.1A	Rear R.H. foot peg		1	
	7	827.1.115.1A	Plate		2	
	8	8000.62655	Spring		1	
	9	847.4.002.1A	Ball		1	
	10	247.1.115.1A	Protection		1	
	11	772.5.025.1A	Screw		2	
	12	824.1.045.1A	Rear R.H. foot peg holder plate		1	
	13	464.1.006.1A	Front R.H. foot peg		1	
	14	821.1.068.1A	Pin		1	
	15	0170.91.730	Ring		1	

NOTES	NO.	CODE NO.	DESCRIPTION	VALIDITY	Q.TY	
-------	-----	----------	-------------	----------	------	---


DRAWING **022** HEAD-LIGHT AND ELECTRIC WIRING



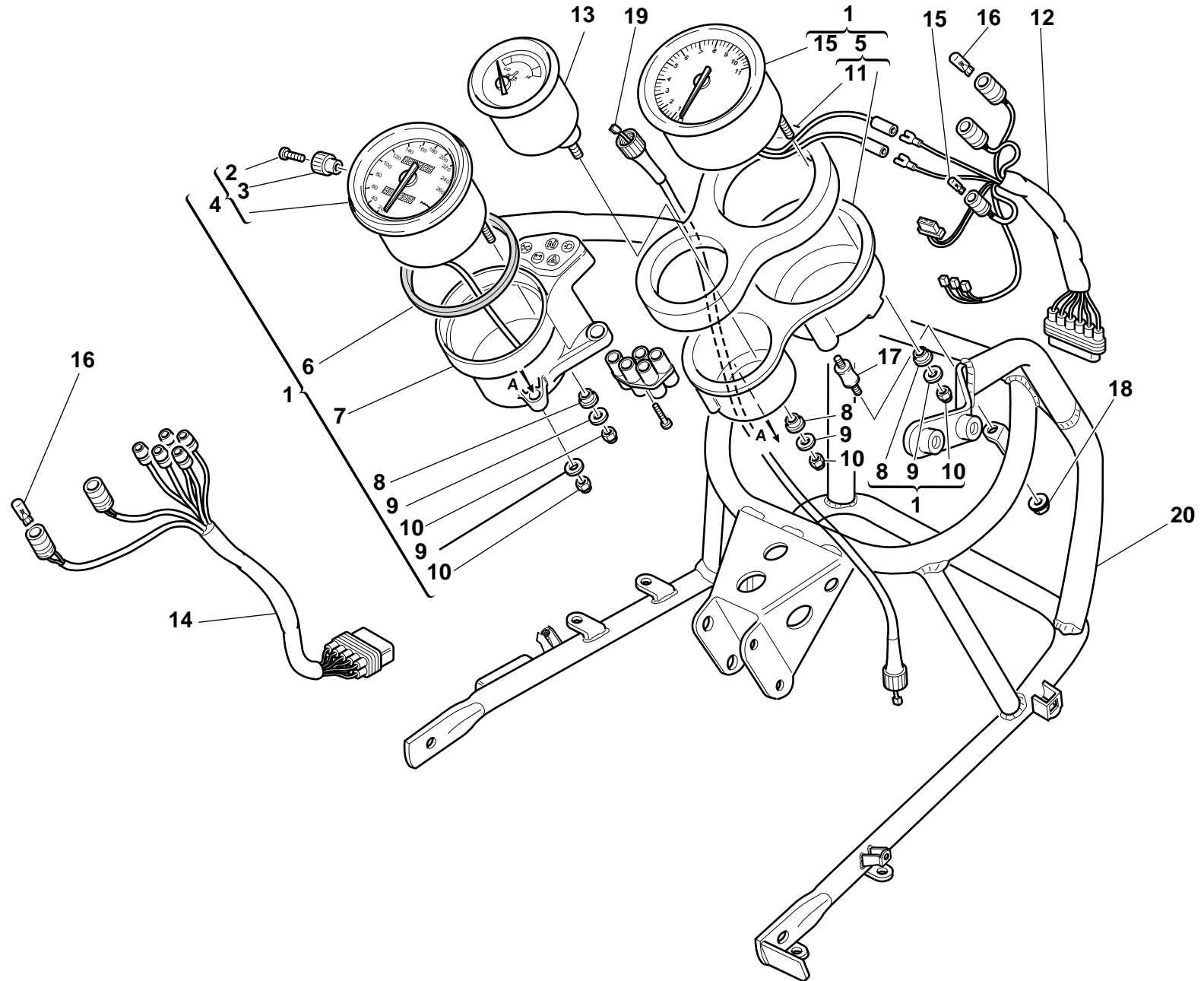
DRAWING **022**

HEAD-LIGHT AND ELECTRIC WIRING


NOTES	NO.	CODE NO.	DESCRIPTION	VALIDITY	Q.TY	
	1	520.4.015.3A	Complete headlight		1	
Aus	1	520.4.016.3A	Complete headlight L.H. drive		1	
Gb	1	520.4.016.3A	Complete headlight L.H. drive		1	
J	1	520.4.016.3A	Complete headlight L.H. drive		1	
	2	0796.38.305	Bulb 55/60W		1	
	3	538.4.005.1A	Flashing device		1	
	4	0000.55701	Vibration damper holder		1	
	5	287.4.014.1A	Relay		1	
	6	829.1.127.1A	Holder		1	
	7	552.4.012.1A	Air temperature sensor		1	
	8	0960.91.130	Nut		2	
	9	0797.72.068	Vibration damper pad		2	
	10	60N102505	Screw		2	
	11	791.1.040.1A	Headlight gasket		1	
	12	821.1.054.1A	Pin		2	
	13	8000.65535	Screw		2	
	14	389.4.006.1A	Fuse 3A		2	
	14	389.4.007.1A	Fuse 7.5A		3	
	14	389.4.008.1A	Fuse 15A		2	
	14	389.4.010.1A	Fuse 30A		1	
	15	246.1.009.1A	Cover		1	
	16	433.1.143.1A	Sticker schema fusibili		1	
	17	8000.59572	Screw		2	
	18	8000.36230	Bulb		1	
	19	672.4.004.1A	Headlight cover		1	
	20	510.1.149.1A	Electric wiring		1	

NOTES	NO.	CODE NO.	DESCRIPTION	VALIDITY	Q.TY	
	21	764.1.005.1A	Vibration damper pad		1	
	22	0691.91.030	Clamp		7	
	23	764.4.007.1A	Vibration damper pad		4	
	24	716.4.001.1A	Spacer		4	
	25	772.5.023.1A	Screw		4	
	26	829.1.233.1A	Holder sensor		1	
	27	672.4.005.1A	Rubber cap		2	
	28	734306N01	Washer		2	

DRAWING **023** INSTRUMENT PANEL

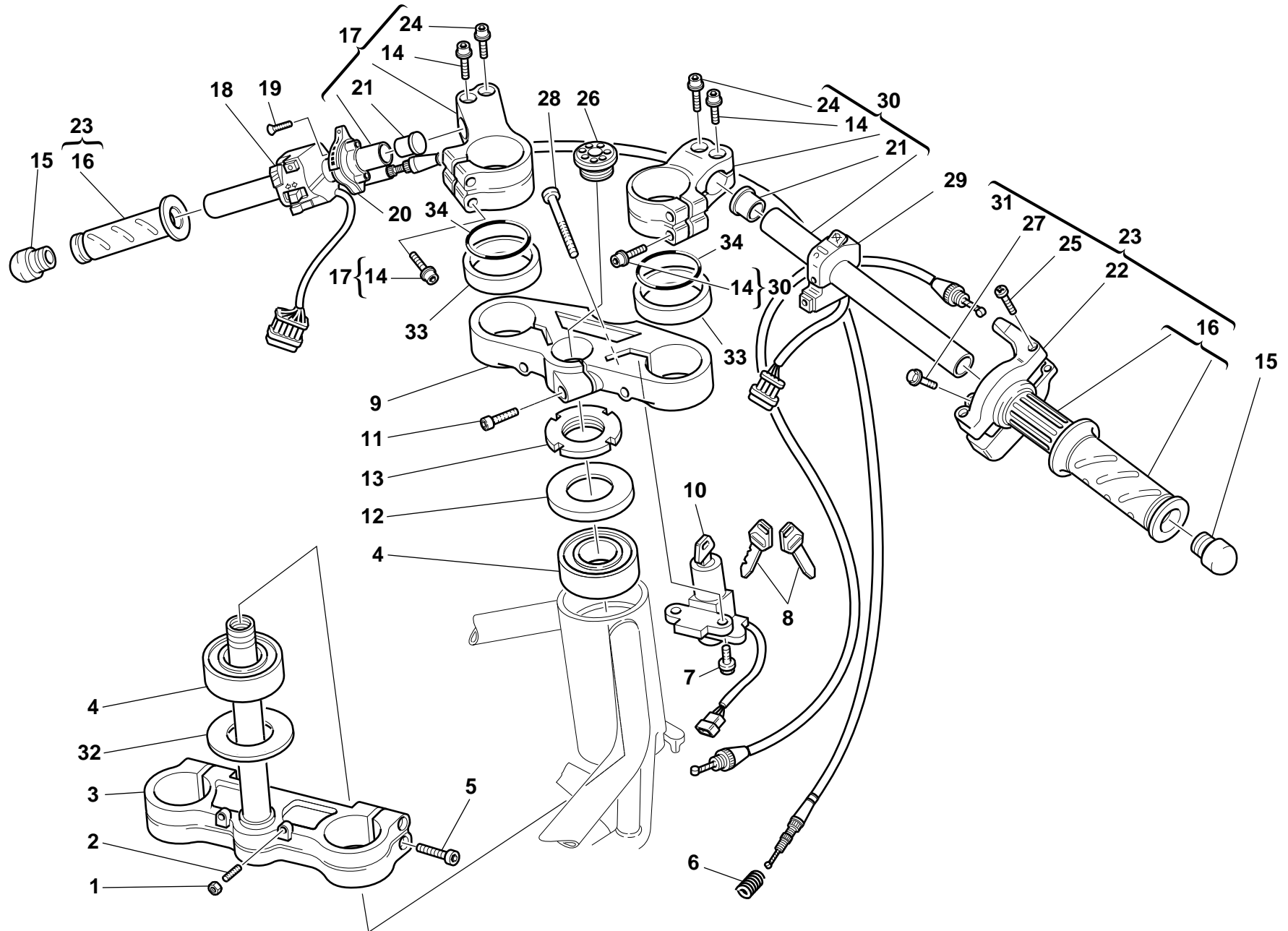


DRAWING **023** INSTRUMENT PANEL


NOTES	NO.	CODE NO.	DESCRIPTION	VALIDITY	Q.TY	
	1	406.1.012.1A	Complete instrument panel (speedometer - miles)		1	
	2	776.4.002.1A	Screw		1	
	3	8000.56742	Grip		1	
	4	401.4.014.1A	Speedometer		1	
	5	0000.78348	Tachometer holder		1	
	6	8000.56741	Gasket		1	
	7	407.4.001.1B	Speedometer holder		1	
	8	8000.56746	Rubber pad		5	
	9	8000.56747	Washer		7	
	10	8000.56748	Nut		7	
	11	8000.77936	Vibration damper sponge		1	
	12	510.1.070.1A	Instrument panel wiring		1	
	13	404.4.008.1A	Oil thermometer		1	
	14	510.1.127.1A	Wiring		1	
	15	402.4.008.1A	Electronic tachometer		1	
	16	390.4.002.1A	Warning lamp bulb12V-2W		4	
	17	8000.56752	Rubber pad		3	
	18	8000.42278	Nut		3	
	19	403.1.010.1A	Speedometer (km) cable		1	
	20	829.1.218.1AB	Headlight holder		1	


NOTES	NO.	CODE NO.	DESCRIPTION	VALIDITY	Q.TY	
-------	-----	----------	-------------	----------	------	---

DRAWING **024** HANDLEBAR AND CONTROLS

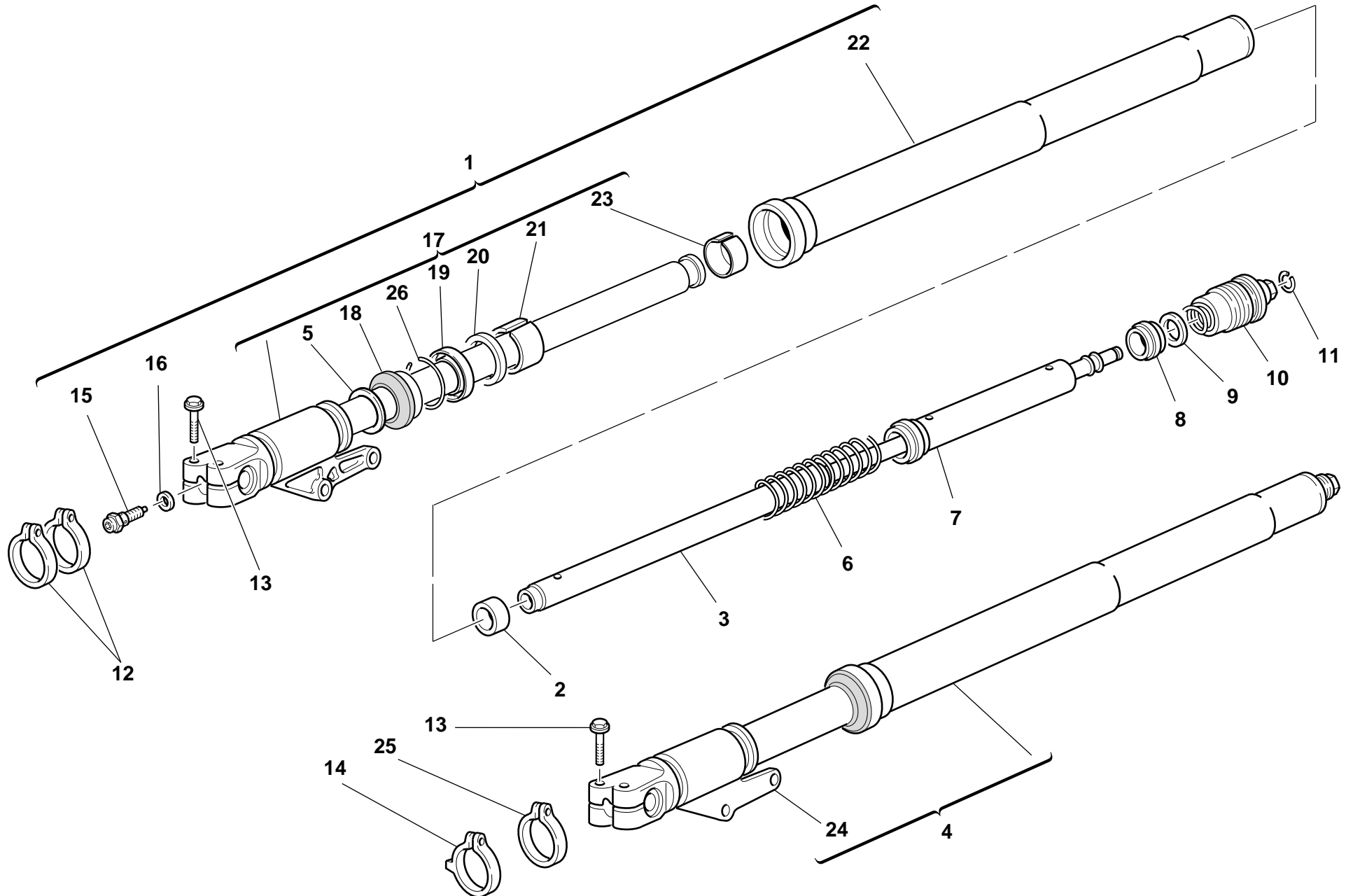


DRAWING **024** HANDLEBAR AND CONTROLS


NOTES	NO.	CODE NO.	DESCRIPTION	VALIDITY	Q.TY	
	1	72450.8001	Nut		2	
	2	779.1.099.1A	Special screw		2	
	3	342.2.007.1A	Steering head base assembly		1	
	4	0691.91.010	Bearing		2	
	5	8A00.69056	Screw		4	
	6	799.1.058.1A	Starter control transmission return spring		1	
	7	772.5.024.1A	Screw		2	
	8	598.4.011.1A	Wrench		1	
	9	341.1.024.1A	Steering head		1	
	10	652.4.002.1A	Key-operated switch		1	
	11	60N102557	Screw		1	
	12	0691.37.020	Special washer		1	
	13	0795.37.120	Ring nut		1	
	14	771.5.669.2B	Screw		6	
	15	872.1.015.1A	Cap		2	
	16	656.2.012.1A	Grips pair		1	
	17	360.2.022.1A	L.H. handlebar		1	
	18	651.4.006.2A	L.H. switch		1	
Aus	18	651.4.007.2A	L.H. switch		1	
J	18	651.4.007.2A	L.H. switch		1	
	19	777.5.210.2A	Screw		2	
	20	655.2.006.1A	Starter control		1	
	21	872.1.011.1A	Cap		2	
	22	658.4.002.1B	Cover		1	
	23	654.2.003.1A	Throttle control		1	
	24	60N102585	Screw		2	

NOTES	NO.	CODE NO.	DESCRIPTION	VALIDITY	Q.TY	
	25	8000.66774	Screw		2	
	26	873.1.035.1A	Cap		1	
	27	772.5.023.1A	Screw		2	
	28	60N102590	Screw		2	
	29	650.4.006.1B	R.H. switch		1	
	30	360.2.023.1A	R.H. handlebar		1	
	31	656.1.018.1A	Throttle control transmission		1	
	32	852.1.096.1A	Washer		1	
	33	713.1.152.1A	Spacer		2	
	34	930.4.024.1A	O-Ring		2	

DRAWING **025** FRONT FORK

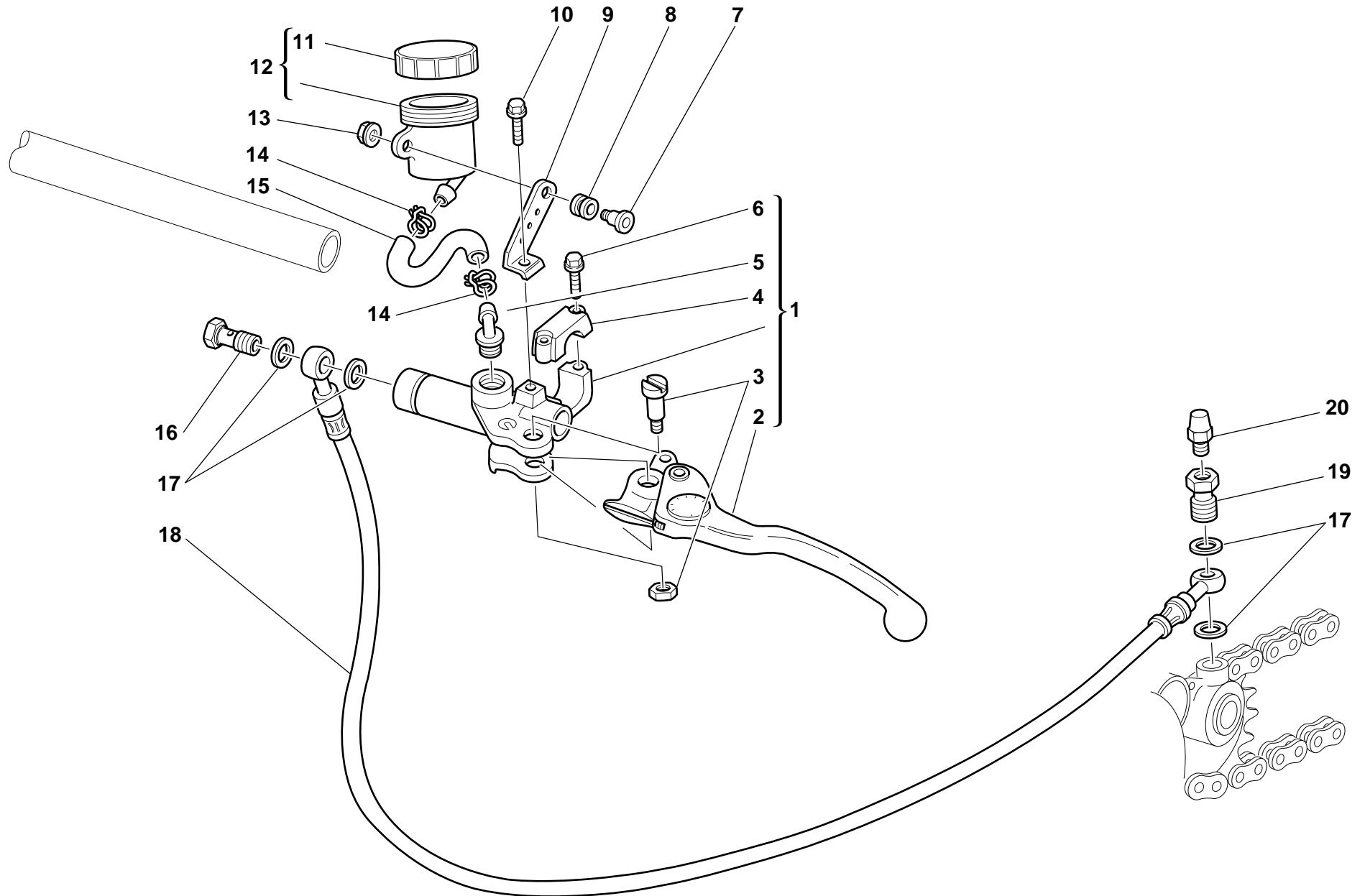


DRAWING **025** FRONT FORK


NOTES	NO.	CODE NO.	DESCRIPTION	VALIDITY	Q.TY	
	1	340.2.095.1A	R.H. fork leg assembly		1	
	2	349.1.095.1A	Centering ring		2	
	3	349.1.118.1A	Damper tube		2	
	4	340.2.096.1A	L.H. fork leg assembly		1	
	5	349.1.100.1A	Special washer		2	
	6	366.1.035.1A	Spring		2	
	7	349.1.119.1A	Spring coupling		2	
	8	349.1.064.1A	Slider		2	
	9	349.1.065.1A	Rubber cush drive hub		2	
	10	349.2.014.1A	Complete cap		2	
	11	349.1.098.1A	Snap ring		2	
	12	8000.70127	Clamp		2	
	13	8A00.69056	Screw		4	
	14	8000.70133	Clamp		1	
	15	349.2.010.1A	Adjusting screw		2	
	16	349.1.096.1A	Special washer		2	
	17	349.1.115.1A	Complete R.H. slider		1	
	18	349.1.101.1A	Dust seal		2	
	19	930.1.005.1A	Seal ring		2	
	20	349.1.102.1A	Check ring		2	
	21	349.1.103.1A	Bush		2	
	22	349.1.117.1A	Stanchion tube		2	
	23	349.1.120.1A	Bush		2	
	24	349.1.116.1A	Complete L.H. slider		1	
	25	741.1.019.1A	Clamp		1	
	26	884.1.005.1A	Ring		2	

NOTES	NO.	CODE NO.	DESCRIPTION	VALIDITY	Q.TY	
-------	-----	----------	-------------	----------	------	---

DRAWING **026** CLUTCH CONTROL



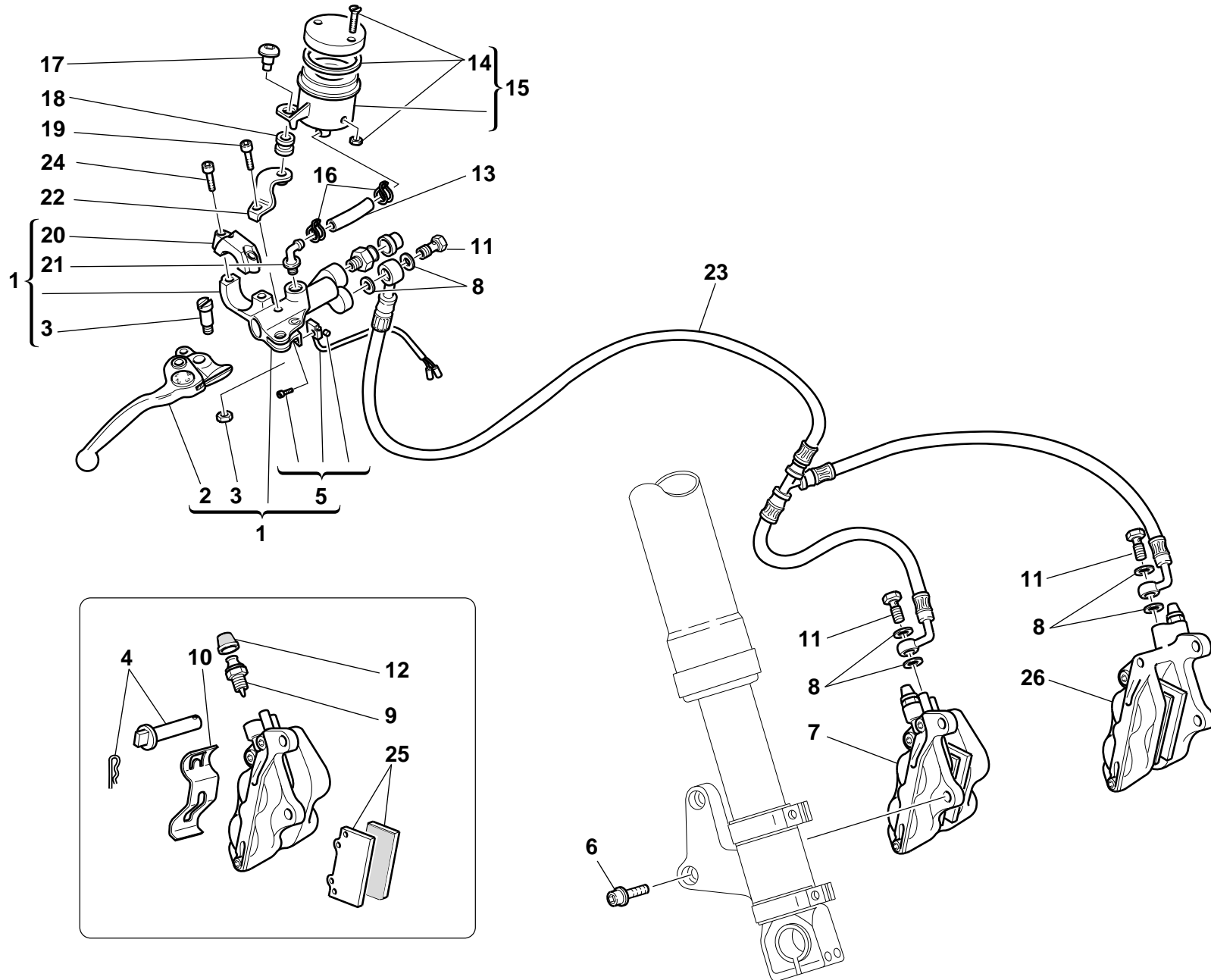
DRAWING **026** **CLUTCH CONTROL**

NOTES	NO.	CODE NO.	DESCRIPTION	VALIDITY	Q.TY	
	1	630.4.010.1AB	Clutch drive pump		1	
	2	631.4.009.1A	Lever with dowel		1	
	3	626.4.011.1A	Spare lever pin		1	
	4	626.4.010.1A	Spare bracket		1	
	5	631.4.008.1A	Spare union		1	
	6	771.5.669.2B	Screw		2	
	7	779.1.092.1A	Screw		1	
	8	0370.72.020	Vibration damper pad		1	
	9	829.1.228.1B	Plate		1	
	10	70700.6N02	Screw		2	
	11	893.4.005.1A	Cap		1	
	12	0000.61078	Complete oil tank		1	
	13	8000.56443	Nut		1	
	14	741.4.043.1A	Clamp		2	
	15	877.1.037.1A	Tube		1	
	16	779.1.058.1A	Special screw		1	
	17	420.2.001.0A	Copper gasket		4	
	18	632.1.016.1B	Clutch control pipe (METAL PLAITED)		1	
	19	779.1.082.1A	Filler		1	
	20	0000.33552	Bleed		1	

NOTES	NO.	CODE NO.	DESCRIPTION	VALIDITY	Q.TY	
-------	-----	----------	-------------	----------	------	---

DRAWING **027**

FRONT HYDRAULIC BRAKE

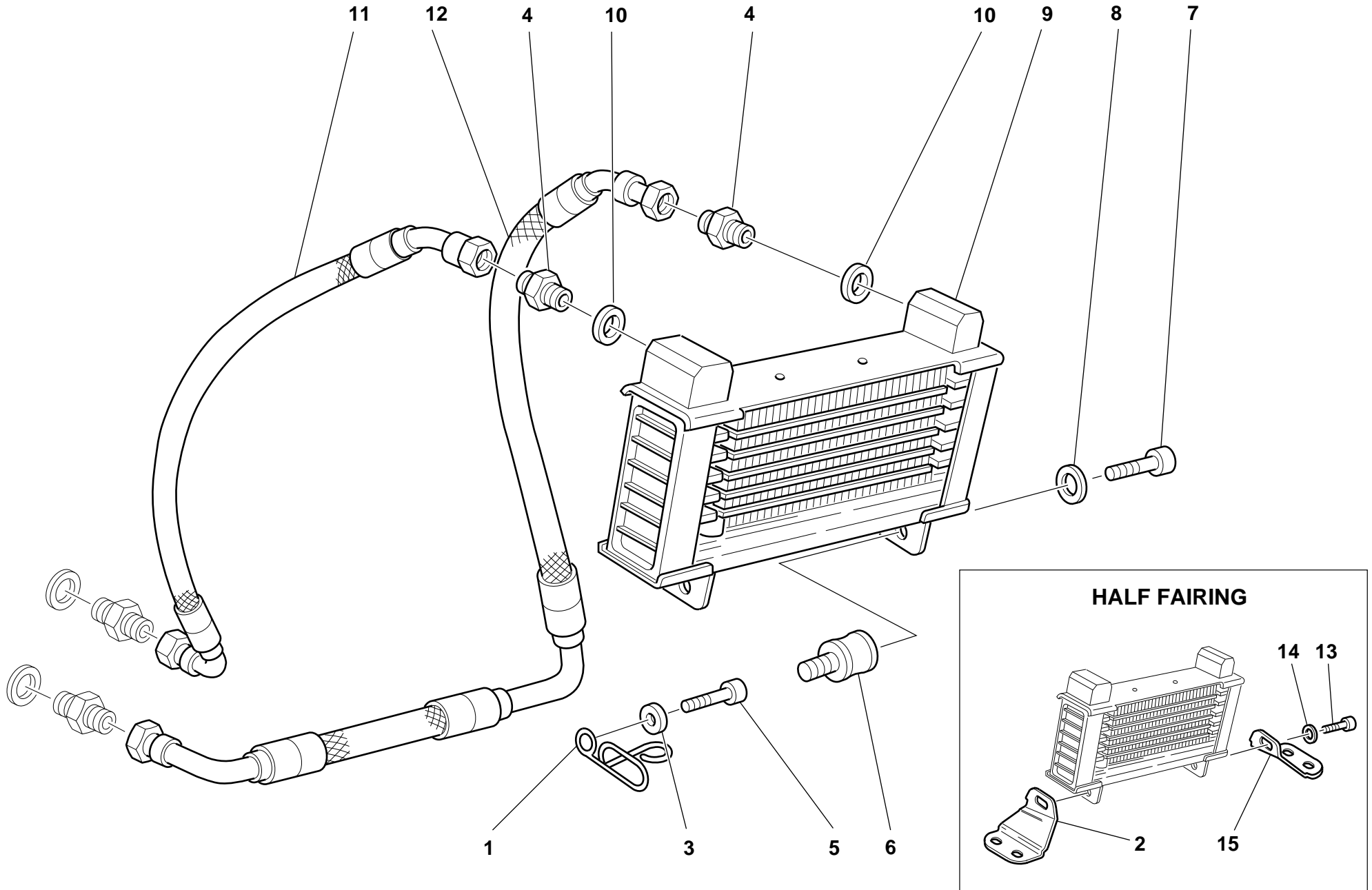


DRAWING **027** FRONT HYDRAULIC BRAKE


NOTES	NO.	CODE NO.	DESCRIPTION	VALIDITY	Q.TY	
	1	624.4.012.1A	Front brake pump		1	
	2	626.4.007.1A	Lever with dowel		1	
	3	626.4.009.1A	Spare lever pin		1	
	4	612.4.014.1A	Spare pins and spring		2	
	5	539.4.021.1A	Microswitch		1	
	6	771.5.754.2B	Screw		4	
	7	610.4.012.2B	R.H. brake caliper		1	
	8	420.2.001.0A	Copper gasket		6	
	9	631.4.004.1A	Spare bleed union		2	
	10	612.4.017.1A	Spring		2	
	11	779.1.058.1A	Special screw		3	
	12	612.4.008.1A	Dust seal		1	
	13	877.1.069.1A	Tube		1	
	14	8000.68490	Spare cap		1	
	15	0000.66181	Complete oil tank		1	
	16	741.4.043.1A	Clamp		2	
	17	779.1.092.1A	Screw		1	
	18	0370.72.020	Vibration damper pad		1	
	19	70700.6N02	Screw		1	
	20	626.4.008.1A	Spare bracket		1	
	21	631.4.008.1A	Spare union		1	
	22	829.1.227.1B	Bracket		1	
	23	618.4.035.1B	Caliper pump pipe (METAL PLAITED)		1	
	24	771.5.669.2B	Screw		2	
	25	613.4.020.1A	Pads pair		2	
	26	610.4.011.2B	L.H. brake caliper		1	

NOTES	NO.	CODE NO.	DESCRIPTION	VALIDITY	Q.TY	
-------	-----	----------	-------------	----------	------	---

DRAWING **028** OIL COOLER

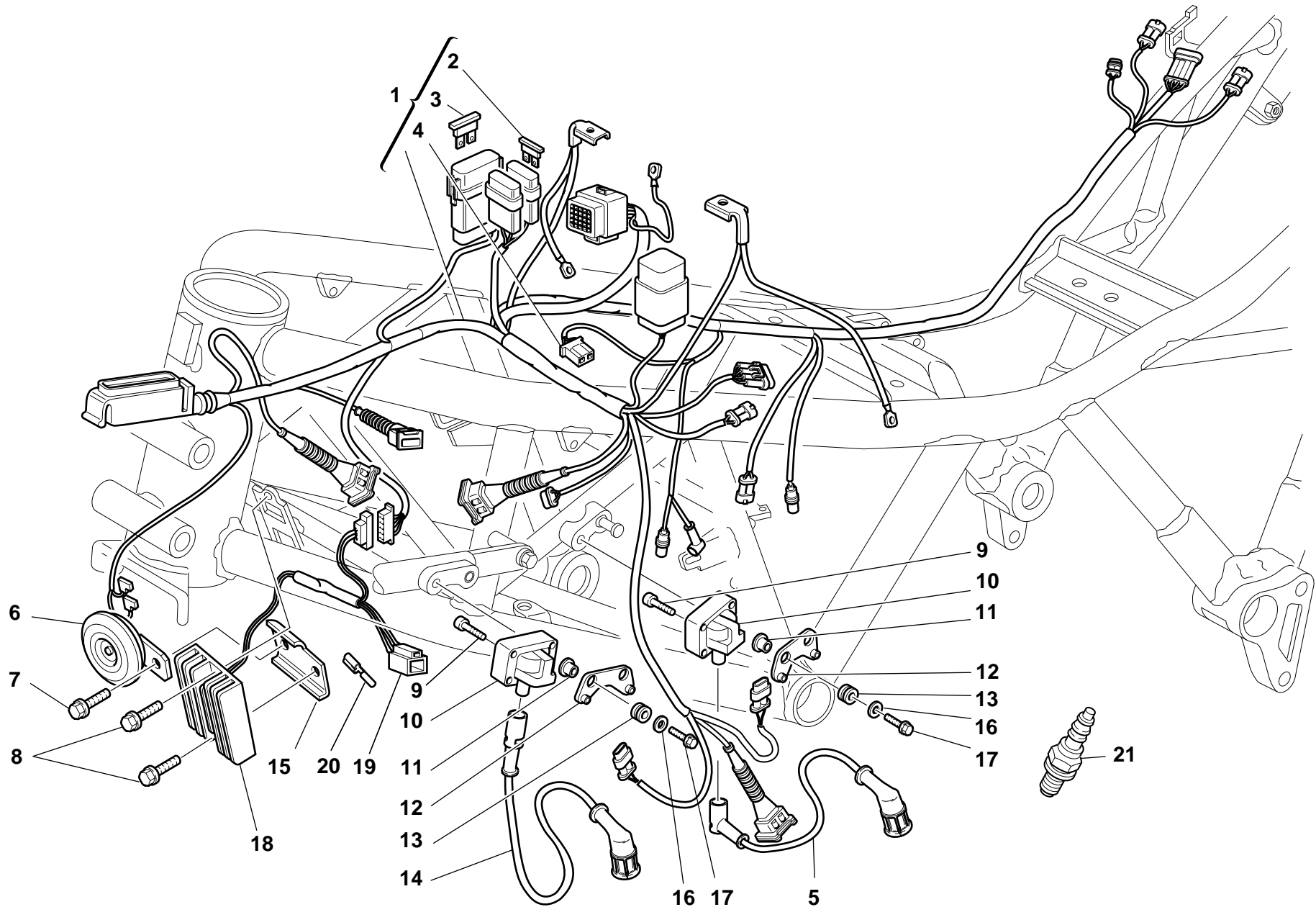


DRAWING **028** OIL COOLER


NOTES	NO.	CODE NO.	DESCRIPTION	VALIDITY	Q.TY	
	1	829.1.109.1A	Guide ring		1	
	2	830.1.170.1A	R.H. bracket		1	
	3	734306N01	Washer		1	
	4	815.1.005.1A	Nipple		2	
	5	60N102511	Screw		1	
	6	700.1.011.1A	Vibration damper		2	
	7	707006N02	Screw		2	
	8	841.1.028.1A	Retainer		2	
	9	548.4.025.1A	Oil cooler		1	
	10	220.2.017.6A	Aluminium gasket		2	
	11	875.1.025.2B	Oil delivery pipe		1	
	12	875.1.026.2B	Oil return pipe		1	
	13	779.5.004.1A	Screw		2	
	14	841.1.028.1A	Retainer		2	
	15	830.1.171.1A	L.H. bracket		1	

NOTES	NO.	CODE NO.	DESCRIPTION	VALIDITY	Q.TY	
-------	-----	----------	-------------	----------	------	---

DRAWING **029** ELECTRIC SYSTEM

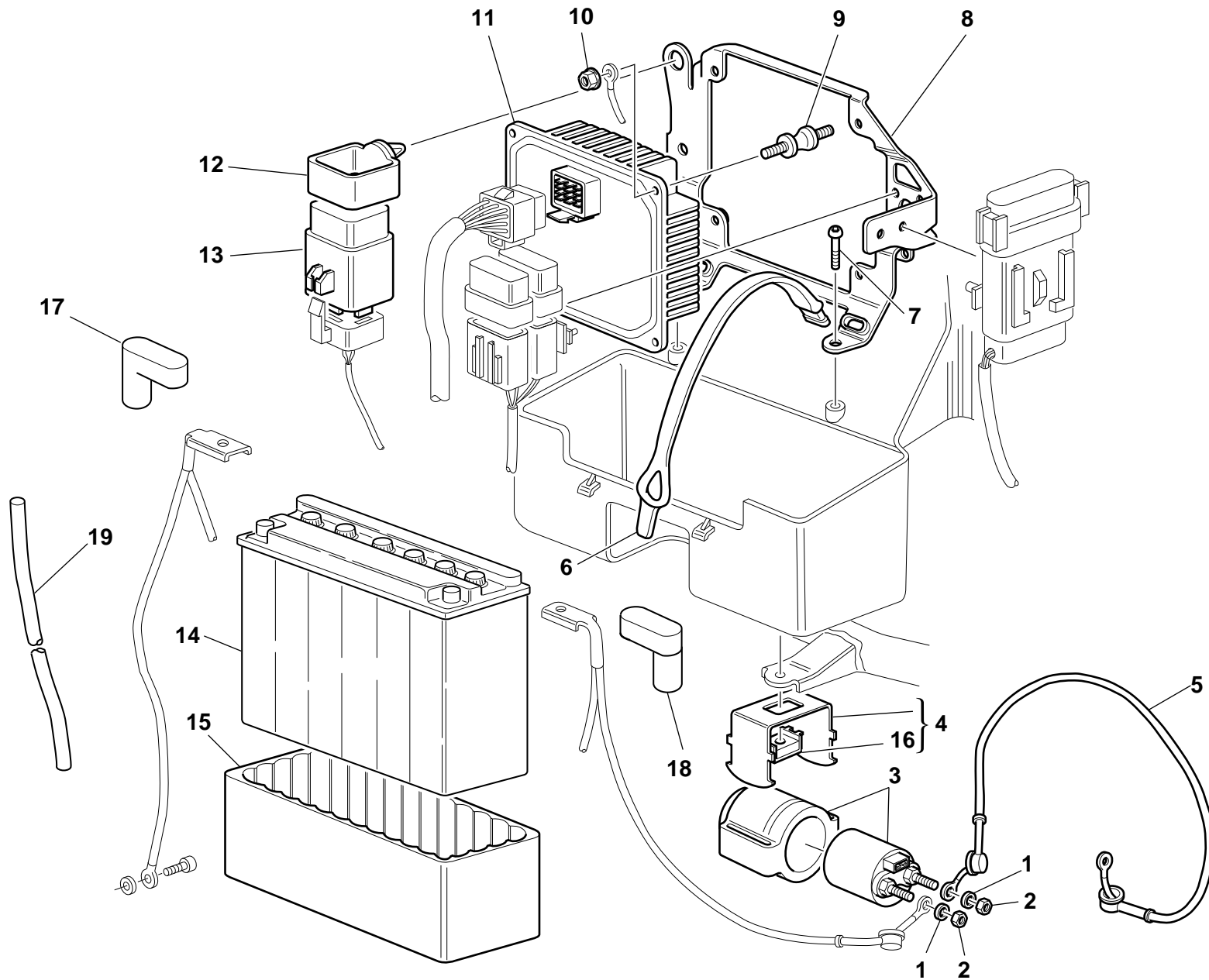


DRAWING **029** **ELECTRIC SYSTEM**


NOTES	NO.	CODE NO.	DESCRIPTION	VALIDITY	Q.TY	
	1	510.1.146.1B	Main wiring		1	
	2	389.4.006.1A	Fuse 3A		2	
	3	389.4.012.1A	Fuse 20A		1	
	4	0000.56803	Connector		1	
	5	671.1.012.1A	Vertical head spark plug wiring		1	
	6	516.4.001.1AB	Horn (BLACK)		1	
	7	772.5.008.1A	Screw		1	
	8	772.5.023.1A	Screw		2	
	9	771.5.025.2B	Screw		4	
	10	285.4.003.1A	Coil		2	
	11	0000.44099	Spacer		4	
	12	829.1.096.1A	Holder		2	
	13	0797.72.068	Vibration damper pad		4	
	14	671.1.013.1A	Horizontal head spark plug wiring		1	
	15	827.1.178.1A	Plate		1	
	16	8000.56359	Washer		4	
	17	772.5.024.1A	Screw		4	
	18	540.4.011.1C	Regulator		1	
	19	8000.66526	Connector		1	
	20	0000.66527	End section		4	
	21	670.4.008.1A	Spark plug		2	

NOTES	NO.	CODE NO.	DESCRIPTION	VALIDITY	Q.TY	
-------	-----	----------	-------------	----------	------	---

DRAWING **030** BATTERY BOX MOUNT



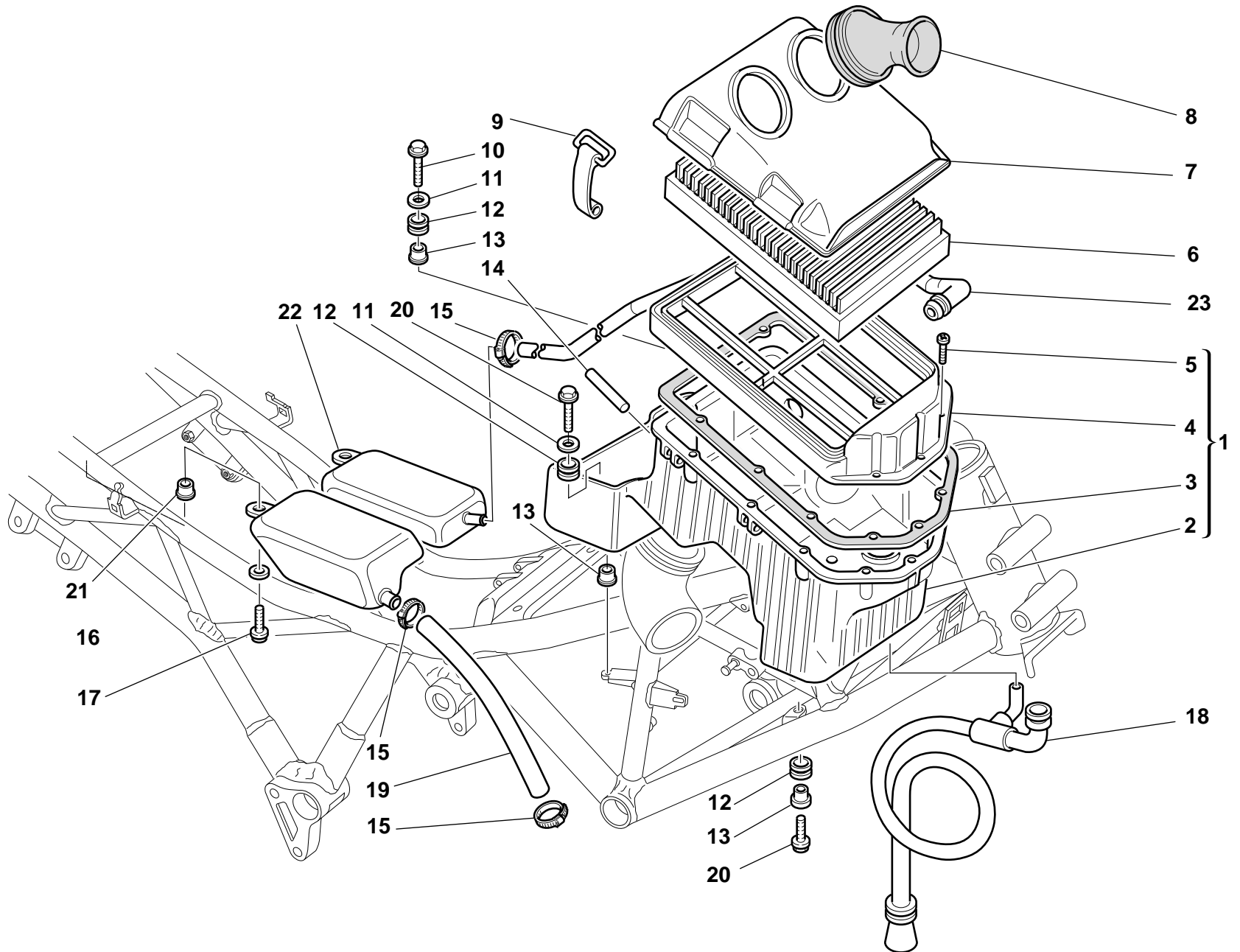
DRAWING **030** BATTERY BOX MOUNT

NOTES	NO.	CODE NO.	DESCRIPTION	VALIDITY	Q.TY	
	1	462.4.037.6A	Spring washer		2	
	2	72430.6001	Nut		2	
	3	397.4.001.1A	Remote switch		1	
	4	829.2.234.1A	Plate		1	
	5	514.1.025.1A	Solenoid starter-starter motor cable		1	
	6	759.1.006.1A	Spring hook		2	
	7	8000.59572	Screw		4	
	8	829.1.230.1A	Plate		1	
	9	700.1.026.1A	Vibration damper pad		4	
	10	748.4.026.1B	Nut		4	
	11	286.4.022.1B	Injection control unit		1	
	12	829.1.127.1A	Holder		1	
	13	287.4.040.1A	Relay		1	
	14	395.4.001.1A	Battery		1	
	15	791.1.036.1A	Battery gasket		1	
	16	0960.91.130	Nut		1	
	17	672.1.023.1A	Terminal cap		1	
	18	672.1.024.1A	Terminal cap(BLACK)		1	
	19	877.1.053.1A	Battery breather pipe		1	


NOTES	NO.	CODE NO.	DESCRIPTION	VALIDITY	Q.TY	
-------	-----	----------	-------------	----------	------	---

DRAWING **031**

AIR INDUCTIO AND OIL VENT

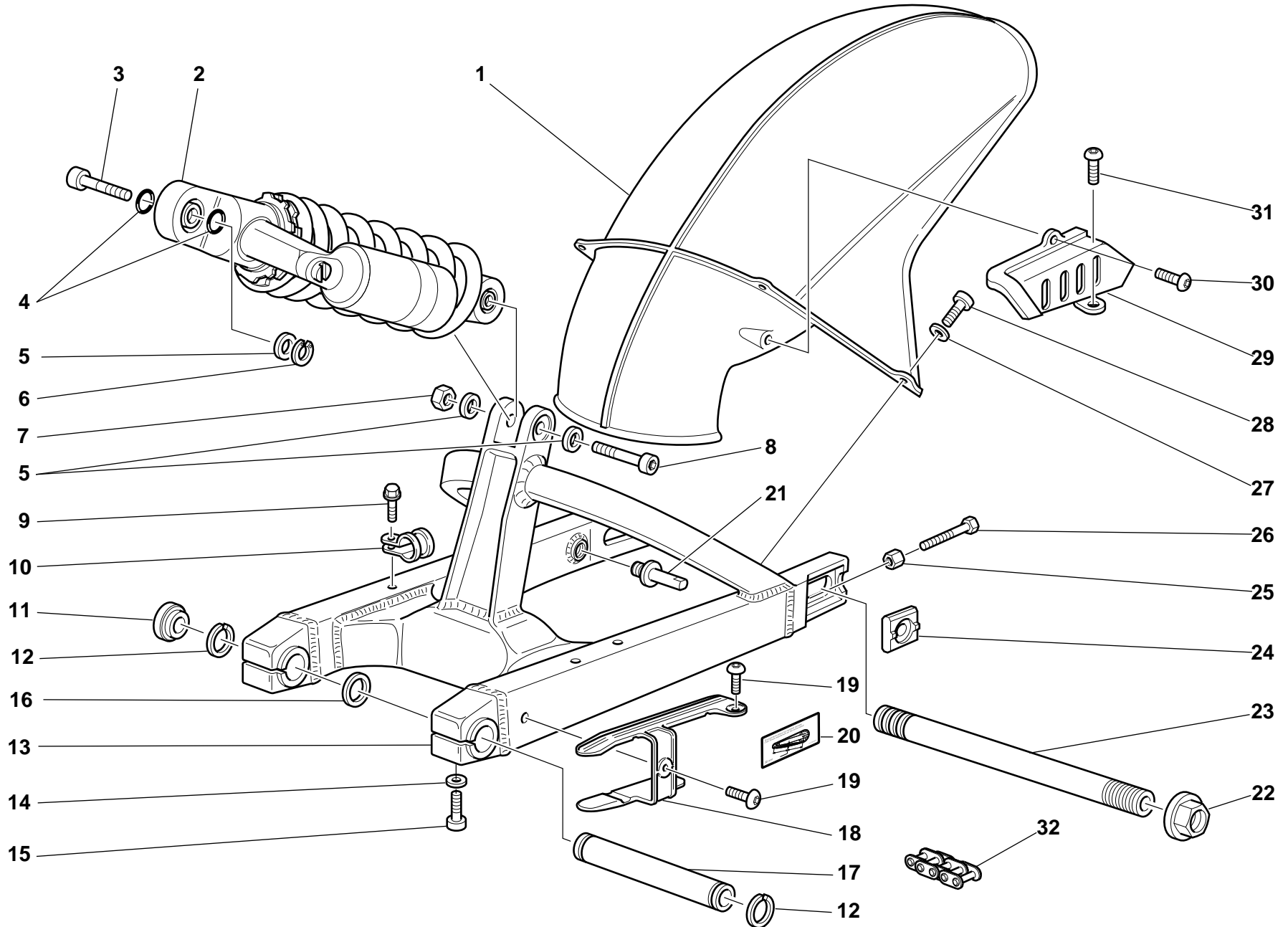


DRAWING **031** AIR INDUCTIO AND OIL VENT


NOTES	NO.	CODE NO.	DESCRIPTION	VALIDITY	Q.TY	
	1	442.2.041.1B	Air filter box		1	
	2	442.1.042.1B	Lower half-case		1	
	3	788.1.027.1A	Gasket		1	
	4	442.1.007.2A	Upper half-case		1	
	5	774.5.002.1A	Self-tapping screw		12	
	6	0370.98.610	Filter element		1	
	7	246.1.046.1B	Filter case cover		1	
	8	135.1.008.1A	Air funnel		2	
	9	760.1.003.1A	Hook		4	
	10	707006N01	Screw		1	
	11	852.5.003.1A	Washer		2	
	12	8000.18048	Rubber pad		4	
	13	713.1.134.1A	Spacer		4	
	14	74223.1045	Spring pin		4	
	15	741.4.002.1A	Clamp		3	
	16	0755.49.310	Washer		2	
	17	771.5.667.2B	Screw		2	
	18	877.2.045.1A	Exhaust pipe		1	
	19	876.1.047.3A	Breather pipe		1	
	20	779.5.001.1A	Screw		3	
	21	716.1.051.1A	Spacer		2	
	22	585.1.008.2B	Oil breather tank		1	
	23	876.1.071.1A	Breather pipe		1	


NOTES	NO.	CODE NO.	DESCRIPTION	VALIDITY	Q.TY	
-------	-----	----------	-------------	----------	------	---

DRAWING **032** SWINGARM AND CHAIN

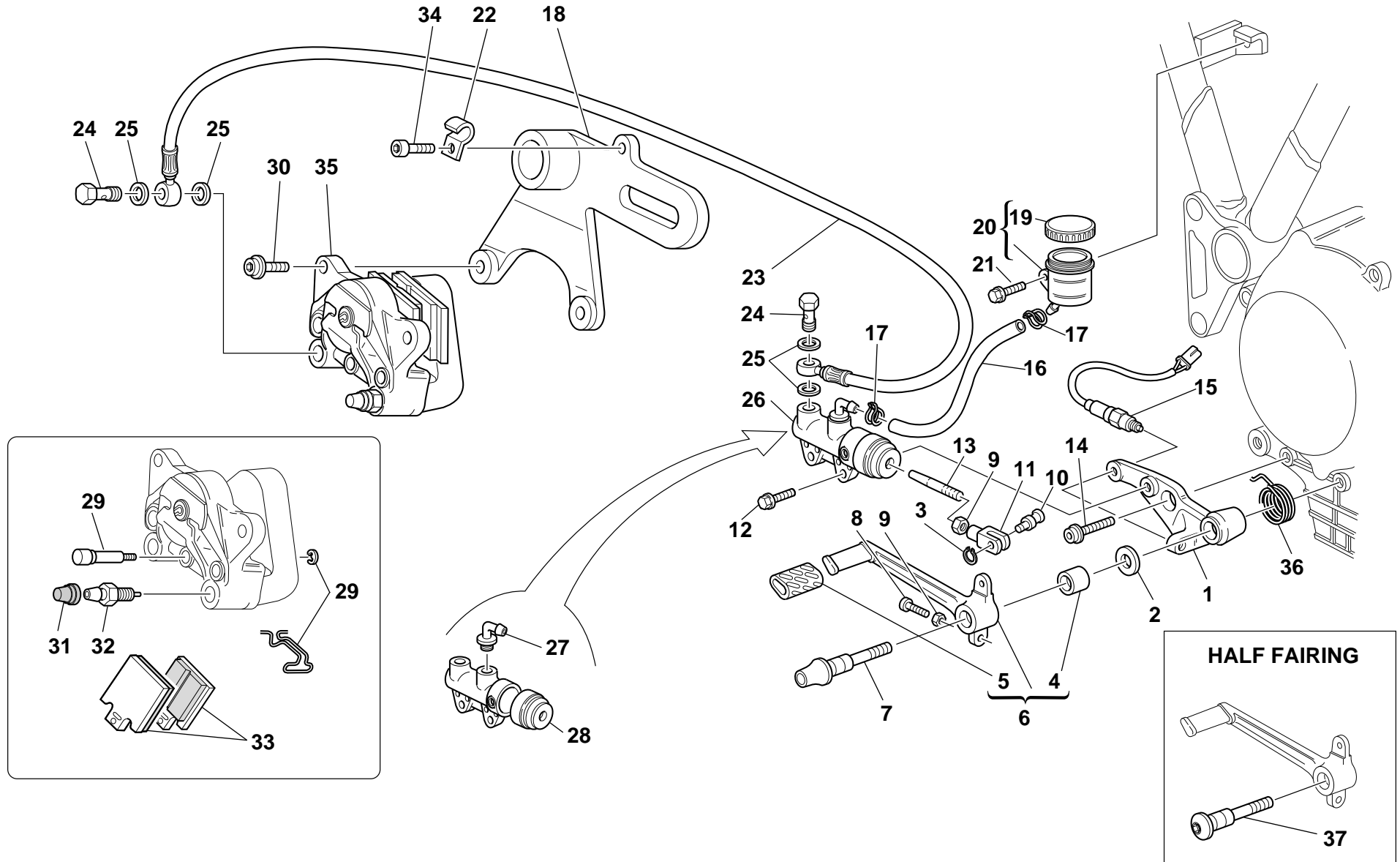


DRAWING **032** **SWINGARM AND CHAIN**

NOTES	NO.	CODE NO.	DESCRIPTION	VALIDITY	Q.TY	
	1	565.1.011.1B	Rear mudguard		1	
	2	365.2.035.1A	Shock absorber		1	
	3	60N102587	Screw		1	
	4	93823.0128	O-ring		2	
	5	734310N01	Washer		3	
	6	734010N01	Spring washer		1	
	7	763110N01	El-stop nut		1	
	8	60N102589	Screw		1	
	9	772.5.005.1A	Screw		1	
	10	741.4.062.1A	Clip		1	
	11	872.1.019.1A	Cap		2	
	12	884.4.007.1A	Snap ring		2	
	13	370.1.009.2C	Swingarm		1	
	14	0670.92.190	Shim th. 2		2	
	15	60N102585	Screw		2	
	16	852.1.001.1A	Shim th. 1.8		2	
	16	852.1.003.1A	Shim th. 0.1		1	
	17	369.1.004.1A	Swingarm pivot		1	
	18	447.1.005.1BB	Chain sliding shoe (GREY)		1	
	19	0370.99.013	Screw		2	
	20	433.1.108.1A	Plate		1	
	21	821.1.033.2B	Locating pin		1	
	22	748.1.008.1A	Nut		2	
	23	819.1.009.1A	Rear wheel spindle		1	
	24	373.1.012.1A	Sliding shoe		2	
	25	750.1.046.1A	Nut		2	


NOTES	NO.	CODE NO.	DESCRIPTION	VALIDITY	Q.TY	
	26	779.1.057.1B	Screw		2	
	27	0364.99.710	Nylon gasket		4	
	28	0364.99.015	Screw		4	
	29	446.1.001.1B	Chain guard		1	
	30	779.1.050.1A	Screw		1	
	31	779.1.009.1A	Screw		1	
	32	676.4.001.3A	Chain		1	

DRAWING **033** REAR HYDRAULIC BRAKE

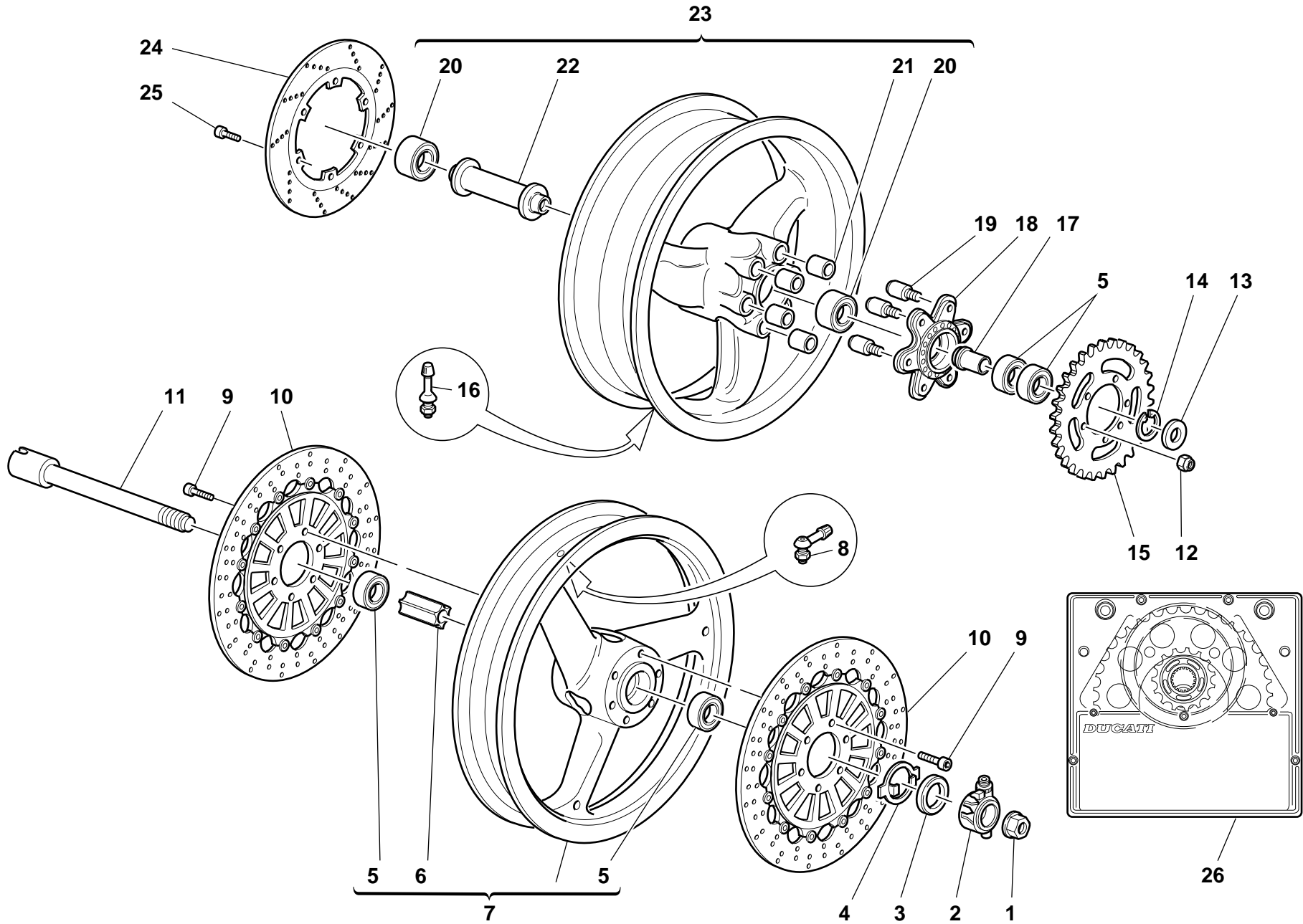


DRAWING **033** REAR HYDRAULIC BRAKE


NOTES	NO.	CODE NO.	DESCRIPTION	VALIDITY	Q.TY	
	1	829.1.078.1A	Holder		1	
	2	852.1.054.1A	Washer		1	
	3	73500.0624	Circlip		1	
	4	8000.59056	Bush		1	
	5	764.1.011.2A	Rubber pad		1	
	6	457.2.008.1A	Brake control lever		1	
	7	821.1.091.1A	Pedal pin		1	
	8	8000.67981	Threaded dowel		1	
	9	60N115062	Nut		2	
	10	821.1.096.1A	Pin		1	
	11	80A0.55757	Fork		1	
	12	772.5.024.1A	Screw		2	
	13	117.1.025.2A	Adjuster rod		1	
	14	771.5.754.2B	Screw		1	
	15	539.4.003.1B	Switch		1	
	16	877.1.066.1A	Tube		1	
	17	741.4.043.1A	Clamp		2	
	18	825.1.018.1A	Caliper holder plate		1	
	19	893.4.005.1A	Cap		1	
	20	585.4.001.1A	Complete oil tank		1	
	21	772.5.025.1A	Screw		1	
	22	827.1.087.1B	Plate		1	
	23	619.4.016.1B	Rear brake line (METAL PLAITED)		1	
	24	779.1.058.1A	Special screw		2	
	25	420.2.001.0A	Copper gasket		4	
	26	625.4.006.1A	Rear brake pump		1	

NOTES	NO.	CODE NO.	DESCRIPTION	VALIDITY	Q.TY	
	27	631.4.008.1A	Spare union		1	
	28	626.4.013.1A	Dust cover		1	
	29	612.4.016.1A	Spare pins and spring		1	
	30	771.5.723.2B	Screw		2	
	31	612.4.008.1A	Dust seal		1	
	32	0370.39.780	Spare bleed union		2	
	33	613.4.021.1A	Pads pair		1	
	34	60N102505	Screw		1	
	35	611.4.008.1A	Rear brake caliper		1	
	36	799.1.083.1B	Spring		1	
	37	821.1.052.1A	Pedal pin		1	

DRAWING **034** WHEELS

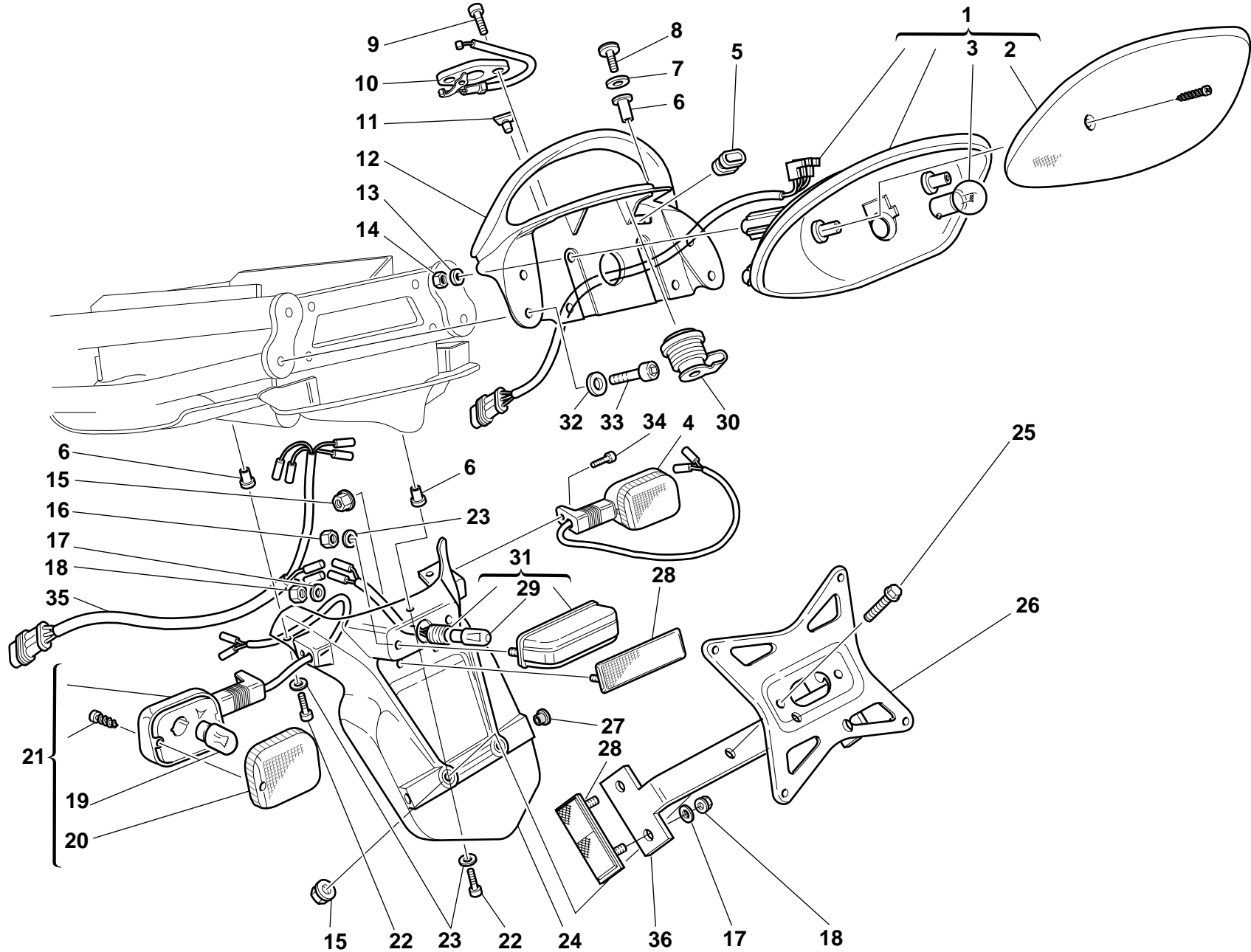


DRAWING **034** **WHEELS**


NOTES	NO.	CODE NO.	DESCRIPTION	VALIDITY	Q.TY	
	1	748.1.014.1B	Fork nut		1	
	2	8000.74049	Speedometer transmission		1	
	3	0000.64471	Seal ring		1	
	4	8000.62648	Transmission capstan		1	
	5	75162.2566	Bearing		4	
	6	714.1.028.1A	Inner spacer		1	
	7	501.2.019.1AF	Front wheel rim		1	
	8	497.2.001.2A	Valve		1	
	9	771.5.721.2B	Screw		12	
	10	492.4.024.1A	Brake disc		2	
	11	819.1.017.1A	Front wheel spindle		1	
	12	748.4.024.1A	Nut		6	
	13	713.1.032.1A	Spacer		1	
	14	884.4.001.1A	Snap ring		1	
	15	494.1.005.3A	Ring gear z=40		1	
	16	0803.77.010	Valve		1	
	17	710.1.006.1A	Bush		1	
	18	160.1.004.1B	Rear sprocket flange		1	
	19	821.1.009.1B	Pin		6	
	20	75163.3268	Bearing		2	
	21	700.1.005.1A	Vibration damper		6	
	22	714.1.040.1A	Inner spacer		1	
	23	502.2.022.1AB	Rear wheel rim		1	
	24	492.4.003.1A	Brake disc		1	
	25	771.5.723.2B	Screw		6	
	26	676.2.032.1A	Final drive kit		1	


NOTES	NO.	CODE NO.	DESCRIPTION	VALIDITY	Q.TY	
-------	-----	----------	-------------	----------	------	---

DRAWING **035** NUMBER PLATE HOLDER

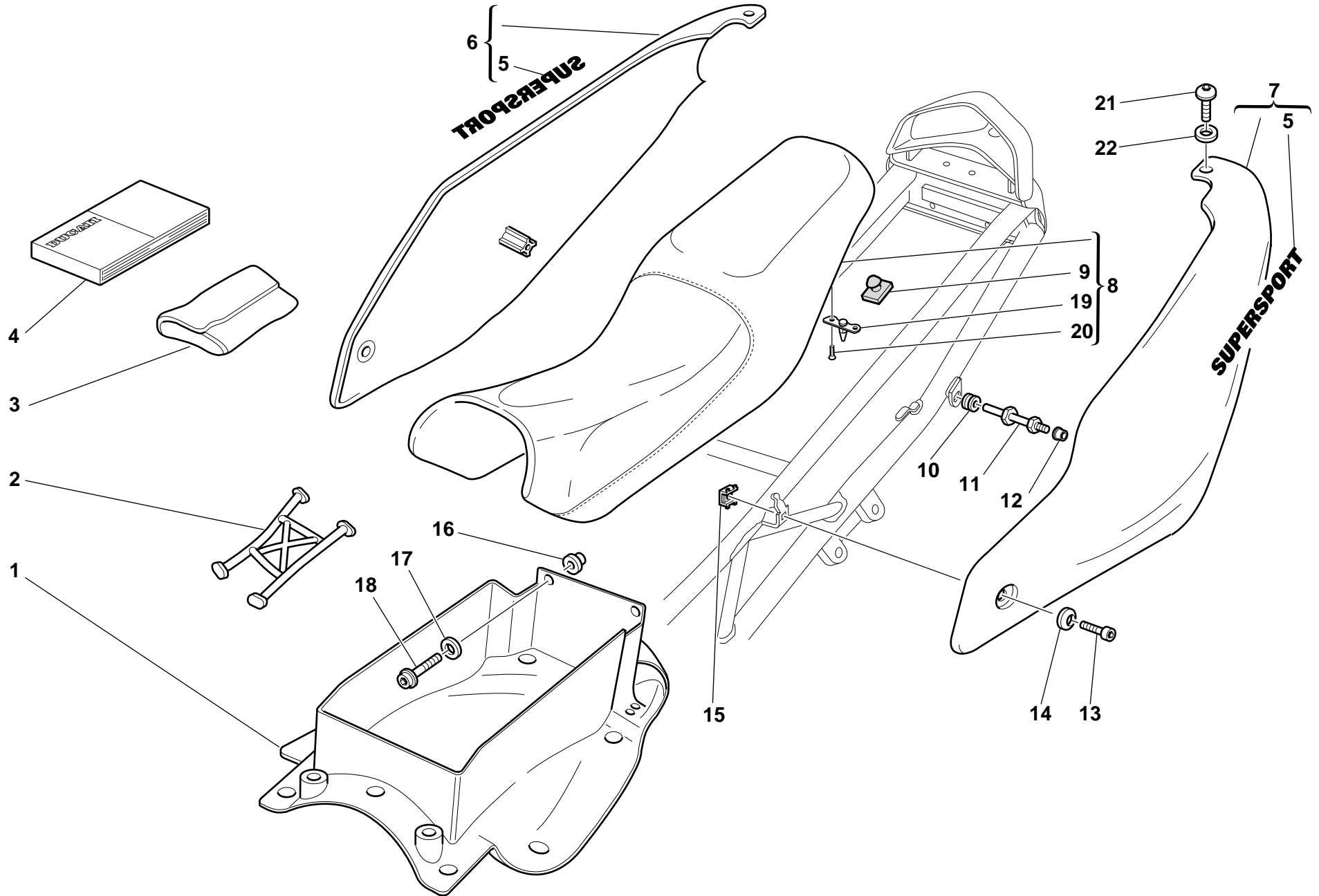


DRAWING **035** NUMBER PLATE HOLDER

NOTES	NO.	CODE NO.	DESCRIPTION	VALIDITY	Q.TY	
	1	525.4.014.1A	Tail lamp		1	
	2	532.4.003.1A	Lens		1	
	3	390.4.003.1A	Two-light bulb 12V 5/21W		1	
	4	8000.74504	Turn indicator		1	
	5	829.1.231.1A	Fairlead rubber ring		1	
	6	8000.63150	Insert		7	
	7	8000.63161	Washer		2	
	8	8000.65535	Screw		2	
	9	777.5.038.2B	Screw		2	
	10	732.2.009.1A	Seat lock		1	
	11	866.1.036.1A	Rubber pad		2	
	12	806.1.014.0A	Handle (unpainted)		1	
	12	806.1.014.1AA	Red handle		1	
	12	806.1.014.1AB	Yellow handle		1	
	13	734305N01	Washer		4	
	14	749.5.002.1A	El-stop nut		4	
	15	8000.44240	Nut		4	
	16	8000.56443	Nut		2	
	17	852.5.001.1A	Washer		6	
	18	749.5.001.1A	Nut		6	
	19	8000.36726	Bulb		2	
	20	8000.74507	Cup		2	
	21	8000.74505	Turn indicator		1	
	22	771.5.043.2B	Screw		5	
	23	60N115548	Washer		7	
	24	561.1.013.2A	Number plate holder		1	


NOTES	NO.	CODE NO.	DESCRIPTION	VALIDITY	Q.TY	
	25	772.5.024.1A	Screw		2	
	26	0000.62700	Plate		1	
	27	417.7.007.1A	Cap		2	
	28	529.1.006.1A	Cat's eye		3	
	29	8000.36230	Bulb		1	
	30	598.2.023.1A	Seat lock		1	
	31	525.1.004.2A	Tail lamp		1	
	32	734306N01	Washer		4	
	33	60N102509	Screw		4	
	34	771.5.667.2B	Screw		2	
	35	510.1.121.1A	Electric wiring		1	
	36	829.1.136.1A	Holder		1	

DRAWING **036** SEAT

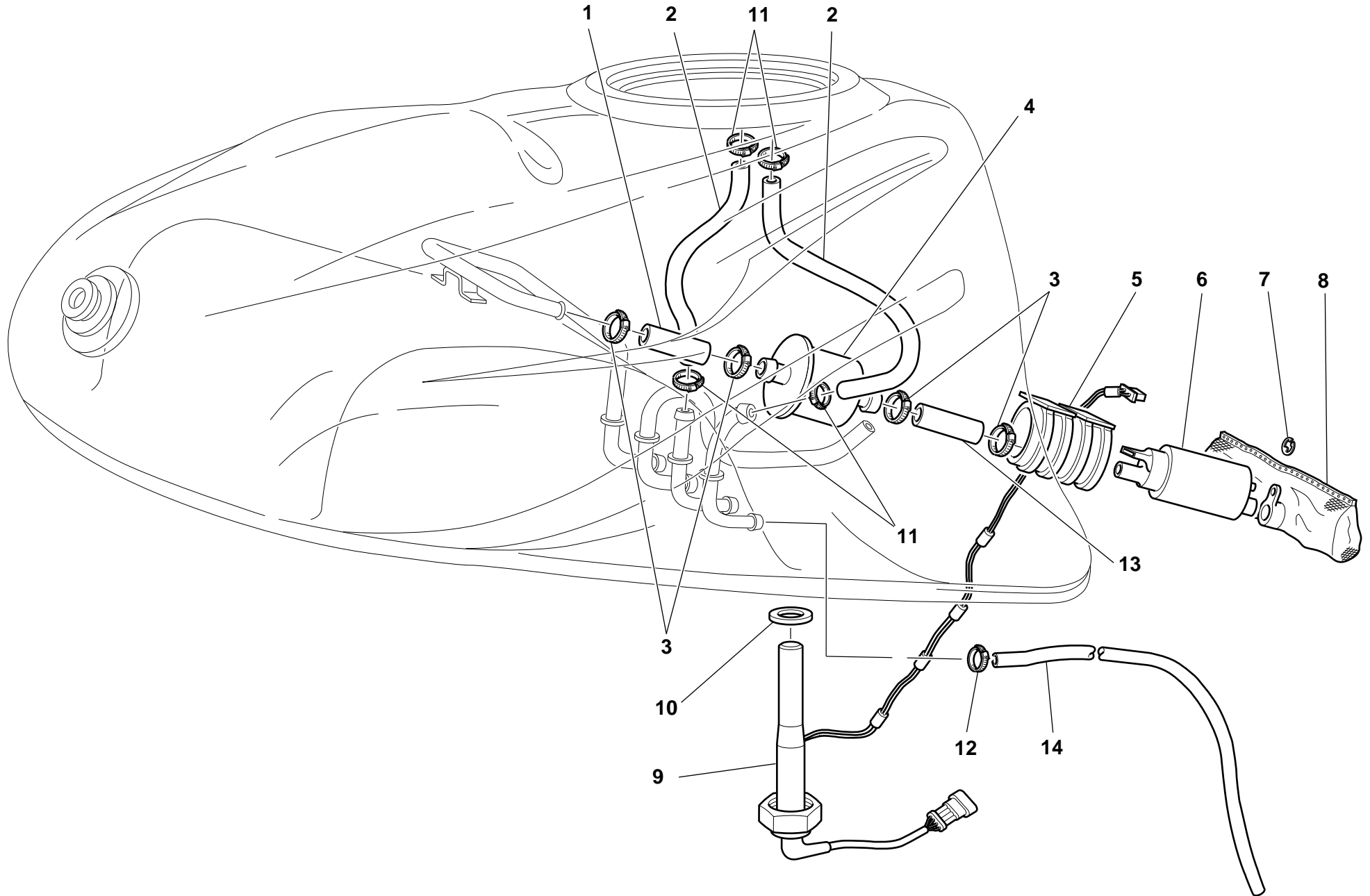


DRAWING **036** SEAT


NOTES	NO.	CODE NO.	DESCRIPTION	VALIDITY	Q.TY	
	1	559.1.006.1A	Panel		1	
	2	0000.61172	Rubber		1	
	3	697.2.010.1B	Tool bag		1	
	4	913.7.066.1A	Owner's manual		1	
	5	436.1.030.1AA	Sticker "Supersport" (RED)		2	
	5	436.1.030.1AB	Sticker "Supersport" (YELLOW)		2	
	6	482.1.025.1BA	R.H. body panel (RED)		1	
	6	482.1.025.1BB	R.H. body panel (YELLOW)		1	
	6	482.3.025.1A	R.H. body panel (unpainted)		1	
	7	482.1.026.1BA	L.H. body panel (RED)		1	
	7	482.1.026.1BB	L.H. body panel (YELLOW)		1	
	7	482.3.026.1A	L.H. body panel (unpainted)		1	
	8	595.1.038.1A	Seat		1	
	9	866.1.030.1A	Rubber pad		6	
	10	0361.91.730	Rubber pad		2	
	11	821.1.089.1A	Pin		2	
	12	850.4.010.1A	Threaded insert		2	
	13	779.5.001.1A	Screw		2	
	14	841.1.028.1A	Retainer		2	
	15	0960.91.130	Nut		2	
	16	716.1.051.1A	Spacer		2	
	17	0755.49.310	Washer		2	
	18	771.5.667.2B	Screw		2	
	19	829.2.232.1A	Holder		1	
	20	777.5.049.2C	Screw		2	
	21	775.1.011.1A	Screw		2	

NOTES	NO.	CODE NO.	DESCRIPTION	VALIDITY	Q.TY	
	22	8000.63161	Washer		2	

DRAWING **037** FUEL SYSTEM

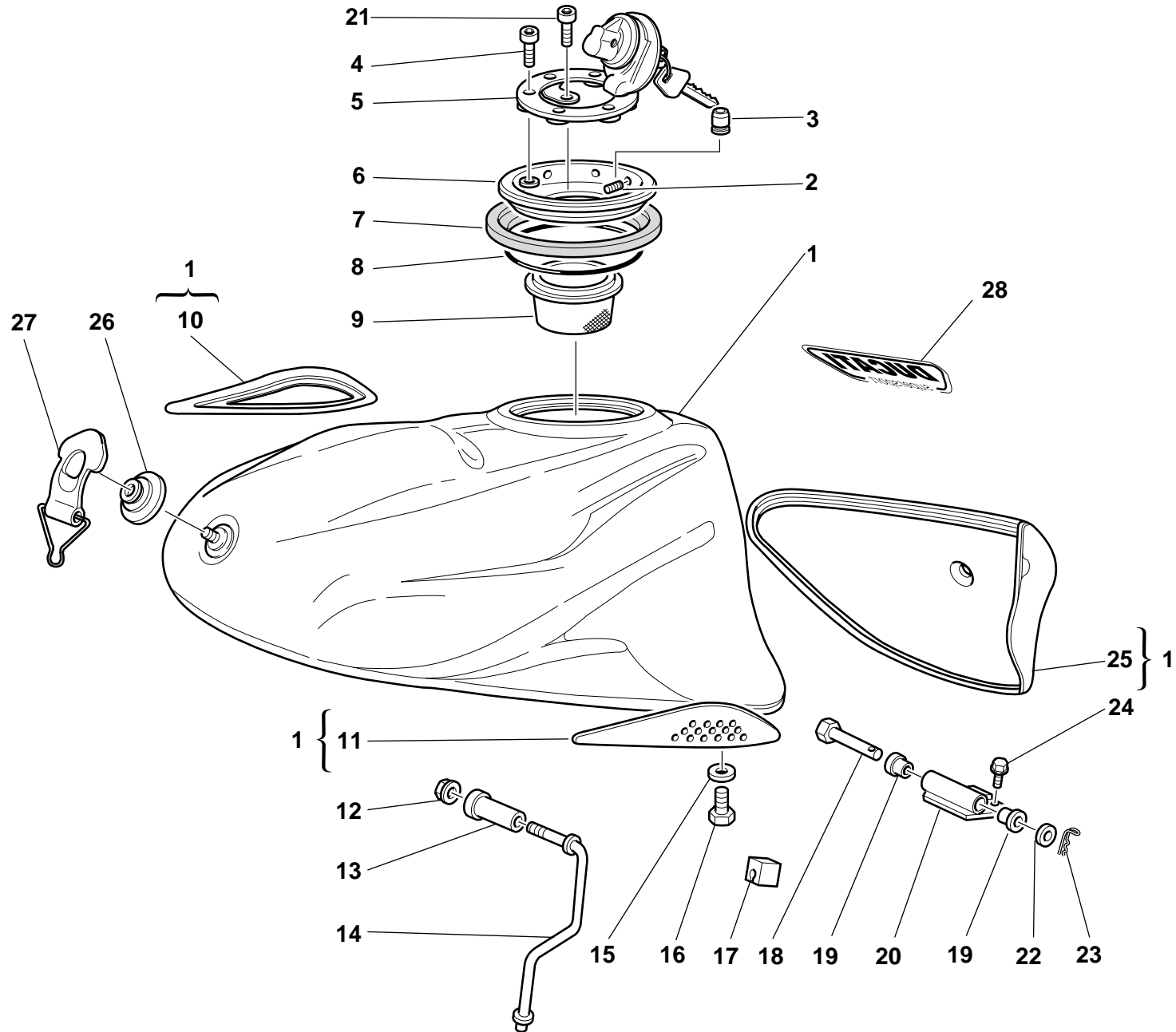


DRAWING **037** **FUEL SYSTEM**


NOTES	NO.	CODE NO.	DESCRIPTION	VALIDITY	Q.TY	
	1	590.1.157.1A	Tube		1	
	2	590.1.108.1A	Tube		2	
	3	741.4.004.1A	Clamp		4	
	4	425.4.004.1B	Fuel filter		1	
	5	829.1.021.2A	Holder		1	
	6	430.4.004.1A	Fuel pump		1	
	7	884.4.012.1A	Circlip		1	
	8	425.4.008.1A	Fuel filter		1	
	9	592.1.005.2B	Low fuel sensor		1	
	10	789.1.001.1A	Gasket		1	
	11	741.4.008.2A	Clamp		4	
	12	741.5.011.1B	Clamp		1	
	13	590.1.056.1A	Filter/pump pipe		1	
	14	590.1.101.1A	Exhaust pipe		1	


NOTES	NO.	CODE NO.	DESCRIPTION	VALIDITY	Q.TY	
-------	-----	----------	-------------	----------	------	---

DRAWING **038** FUEL TANK



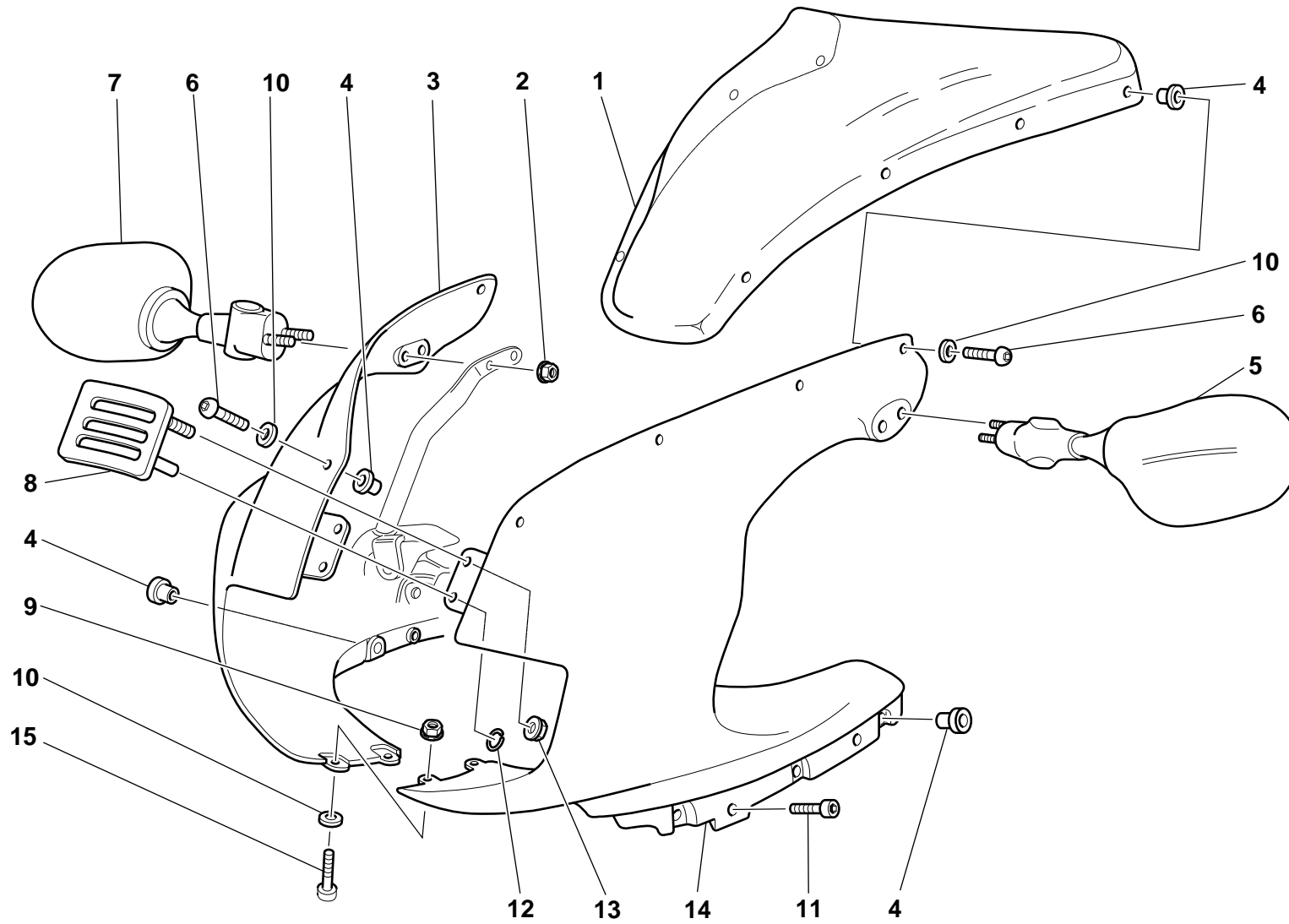
DRAWING **038** FUEL TANK

NOTES	NO.	CODE NO.	DESCRIPTION	VALIDITY	Q.TY	
	1	586.1.030.1BA	Fuel tank (RED)		1	
	1	586.1.030.1BB	Fuel tank (YELLOW)		1	
	1	586.3.030.1A	Fuel tank (unpainted)		1	
	2	779.5.007.1A	Screw		8	
	3	791.1.039.1A	Gasket		1	
	4	771.5.045.7E	Screw		3	
	5	895.4.001.2A	Tank cap		1	
	6	160.1.013.1B	Cap		1	
	7	791.1.015.1A	Gasket		1	
	8	886.4.011.1A	O-Ring		1	
	9	802.1.005.1A	Hose		1	
	10	460.1.081.1A	R.H. protection		1	
	11	460.1.082.1A	L.H. protection		1	
	12	850.4.012.1A	Quik fastening		1	
	13	712.1.009.1A	Bush		1	
	14	117.1.017.1A	Rod		1	
	15	0150.92.280	Gasket th.2		1	
	16	8000.77921	Screw		1	
	17	764.1.010.1A	Rubber pad		1	
	18	821.1.028.1B	Pin		1	
	19	712.1.013.1A	Bush		2	
	20	827.2.134.1A	Plate		1	
	21	771.5.040.2B	Screw		1	
	22	80C0.05893	Shim		2	
	23	8000.62705	Split pin		1	
	24	772.5.025.1A	Screw		2	


NOTES	NO.	CODE NO.	DESCRIPTION	VALIDITY	Q.TY	
	25	723.1.005.2A	Cap		1	
	26	835.1.002.1A	Knob		1	
	27	759.2.016.1A	Belt		1	
	28	435.1.030.1AA	Sticker "DUCATI"		1	

DRAWING **039**

HEADLIGHT FAIRING



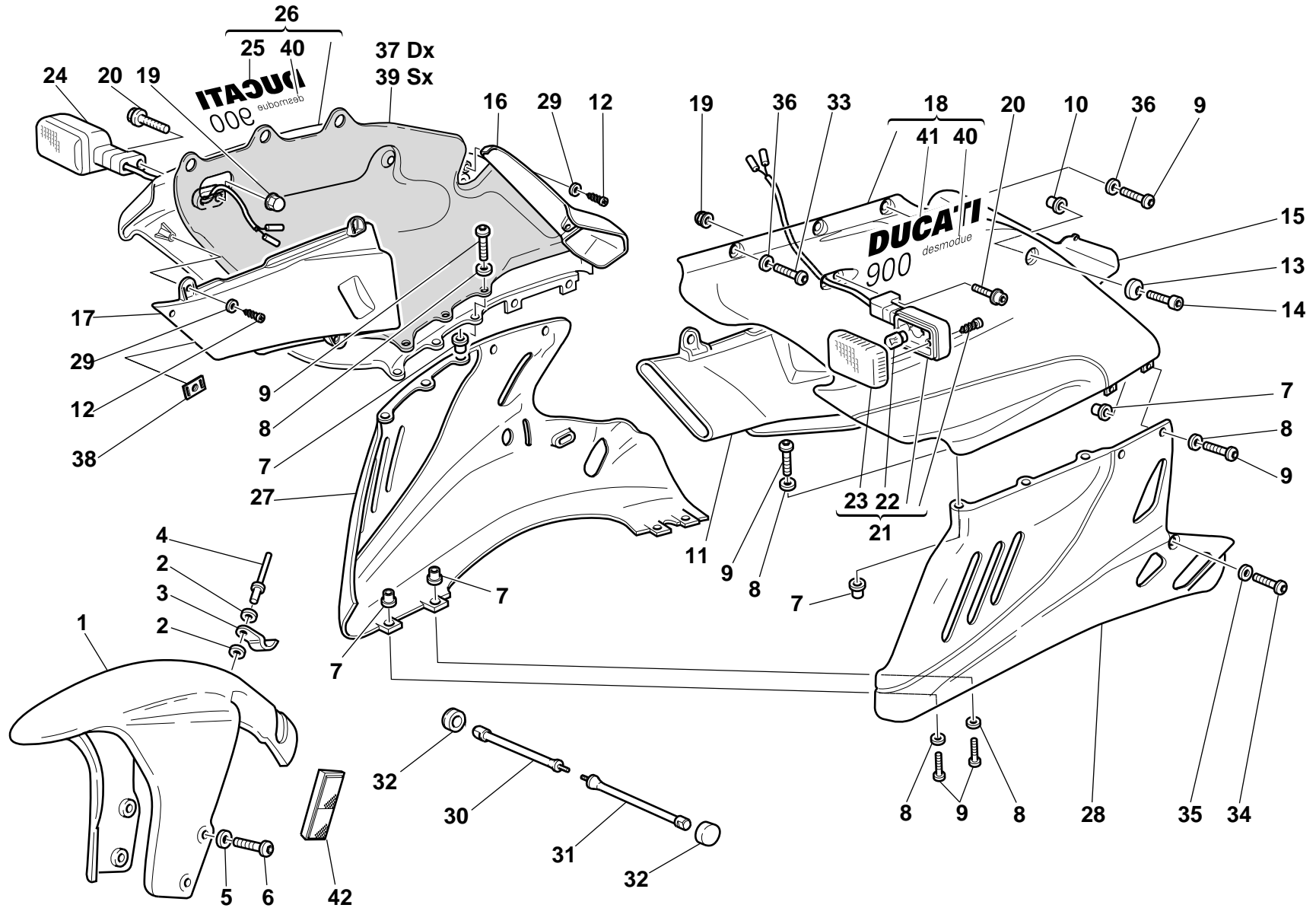
DRAWING **039** HEADLIGHT FAIRING

NOTES	NO.	CODE NO.	DESCRIPTION	VALIDITY	Q.TY	
	1	487.2.018.2A	Windshield		1	
	2	8000.44240	Nut		4	
	3	481.1.019.1AA	Half-Headlight fairing R.H.(RED)		1	
	3	481.1.019.1AB	Half-Headlight fairing R.H. (YELLOW)		1	
	3	481.3.019.1A	Half-Headlight fairing R.H. (unpainted)		1	
	4	0000.63150	Insert		14	
	5	523.4.009.1A	L.H. rear-view mirror		1	
	6	779.1.088.1A	Screw		8	
	7	523.4.008.1A	R.H. rear-view mirror		1	
	8	247.1.112.1B	Cover		1	
	9	8000.56443	Nut		2	
	10	0000.63161	Washer		10	
	11	779.5.010.1A	Screw		4	
	12	850.4.037.1A	Quik fastening		2	
	13	748.4.026.1B	Nut		2	
	14	481.1.020.1AA	Half-Headlight fairing L.H.(RED)		1	
	14	481.1.020.1AB	Half-Headlight fairing L.H. (YELLOW)		1	
	14	481.3.020.1A	Half-Headlight fairing L.H. (unpainted)		1	
	15	8BB0.61070	Screw		2	

NOTES	NO.	CODE NO.	DESCRIPTION	VALIDITY	Q.TY	
-------	-----	----------	-------------	----------	------	---

DRAWING 040


FAIRING



DRAWING **040** FAIRING

NOTES	NO.	CODE NO.	DESCRIPTION	VALIDITY	Q.TY	
	1	564.1.018.1A	Front mudguard (RED)		1	
	1	564.1.018.1AB	Front mudguard (YELLOW)		1	
	1	564.3.018.1A	Front mudguard (unpainted)		1	
	2	852.1.075.1A	Washer		2	
	3	850.1.003.1A	Clip		1	
	4	736.4.013.1B	Shear rivet		1	
	5	856.1.042.1A	Nylon washer		4	
	6	772.5.023.1A	Screw		4	
	7	8000.63150	Insert		18	
	8	8000.63161	Washer		18	
	9	775.1.011.1A	Screw		22	
	10	0364.99.020	Bush		2	
	11	484.1.033.1A	L.H. air manifold		1	
	12	72237.0658	Screw		10	
	13	841.1.028.1A	Retainer		2	
	14	779.5.001.1A	Screw		2	
	15	484.1.036.1A	L.H. Air deflector		1	
	16	484.1.035.1A	R.H. air deflector		1	
	17	484.1.032.1A	R.H. air manifold		1	
	18	480.1.082.1BA	L.H. upper half-fairing (RED)		1	
	18	480.1.082.1BB	L.H. upper half-fairing (YELLOW)		1	
	18	480.3.082.1B	L.H. upper half-fairing (unpainted)		1	
	19	8000.44240	Nut		2	
	20	771.5.667.2B	Screw		2	
	21	8000.74504	Turn indicator		1	
	22	8000.36726	Bulb		2	

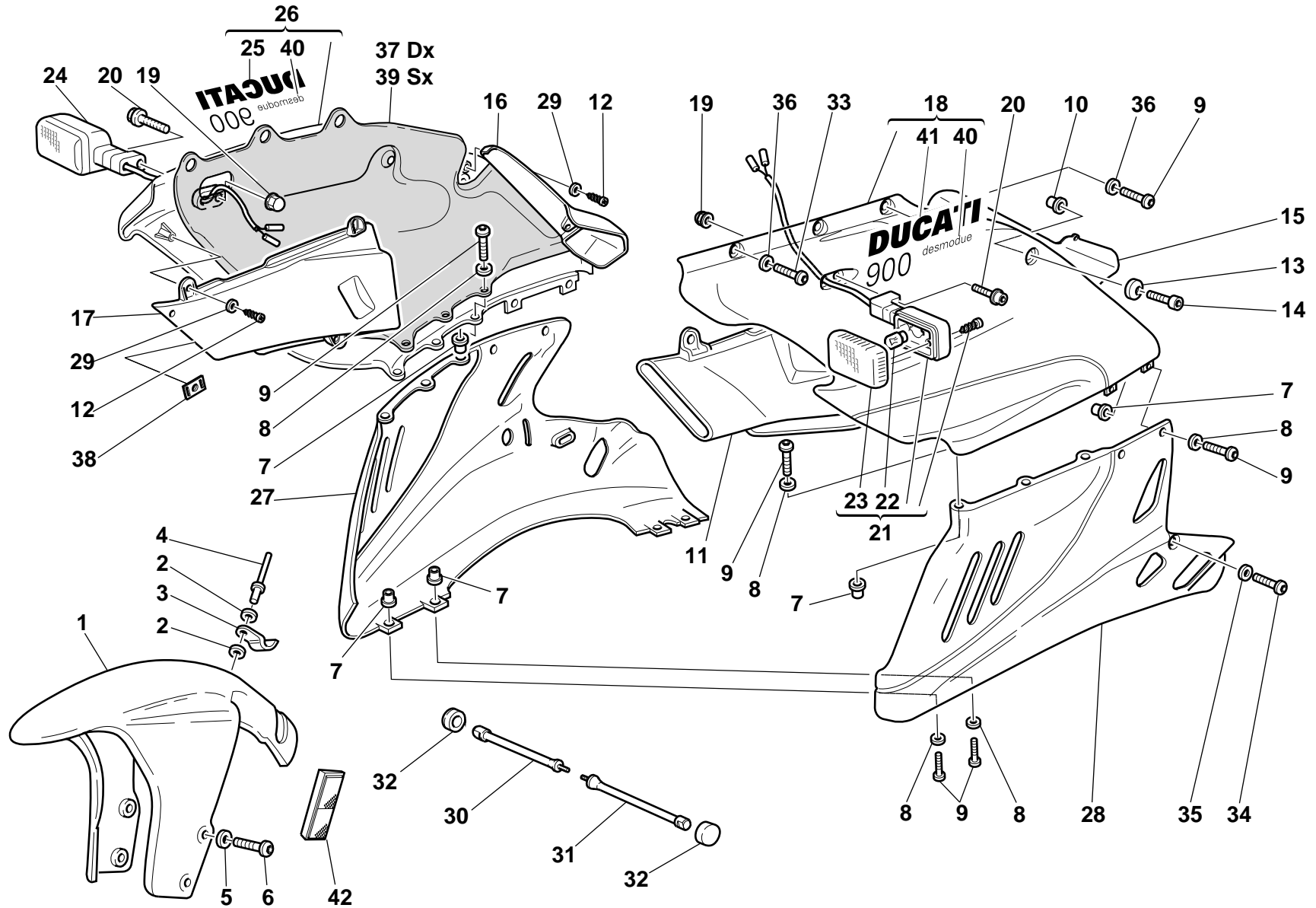
CATALOGUE No: 915.1.061.1C
ISSUED: 05 - 00

NOTES	NO.	CODE NO.	DESCRIPTION	VALIDITY	Q.TY	
	23	8000.74507	Cup		2	
	24	8000.74505	Turn indicator		1	
	25	437.1.105.1AA	R.H. Sticker "SUPERSPORT" (RED)		1	
	25	437.1.105.1AB	R.H. Sticker "SUPERSPORT" (YELLOW)		1	
	26	480.1.081.1BA	R.H. upper half-fairing (RED)		1	
	26	480.1.081.1BB	R.H. upper half-fairing (YELLOW)		1	
	26	480.3.081.1B	R.H. upper half-fairing (unpainted)		1	
	27	480.1.083.1AA	R.H. lower half-fairing (RED)		1	
	27	480.1.083.1AB	R.H. lower half-fairing (YELLOW)		1	
	27	480.3.083.1A	R.H. lower half-fairing (unpainted)		1	
	28	480.1.084.1BA	L.H. lower half-fairing (RED)		1	
	28	480.1.084.1BB	L.H. lower half-fairing (YELLOW)		1	
	28	480.3.084.1B	L.H. lower half-fairing (unpainted)		1	
	29	852.5.002.1A	Washer		10	
	30	684.1.042.1A	R.H. Stud bolt		1	
	31	684.1.043.1A	L.H. stud bolt		1	
	32	0000.17847	Rubber hose		2	
	33	775.1.013.1A	Screw		2	
	34	775.1.008.1A	Screw		2	
	35	856.1.040.1A	Nylon washer		2	
	36	856.4.002.1A	Washer		6	
	37	486.1.054.1A	R.H. side panel		1	
	38	850.4.039.1A	Quik fastening		2	
	39	486.1.055.1A	L.H. side panel		1	
	40	437.1.108.1AA	Sticker "DESMODUE"		1	
	40	437.1.108.1AB	Sticker "DESMODUE" (YELLOW)		1	


CATALOGUE No: 915.1.061.1C
ISSUED: 05 - 00

DRAWING 040

FAIRING

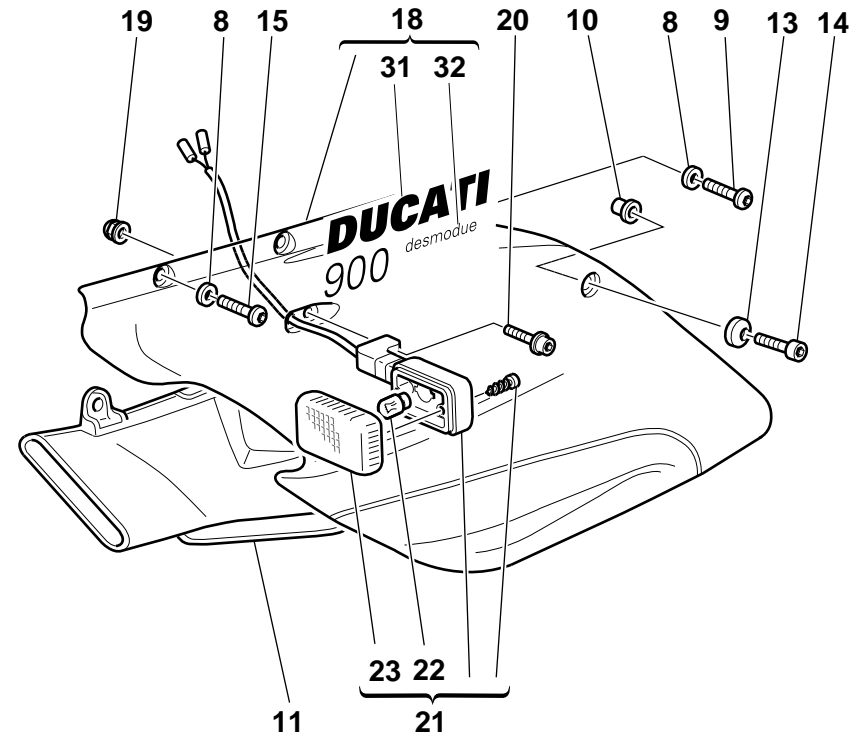
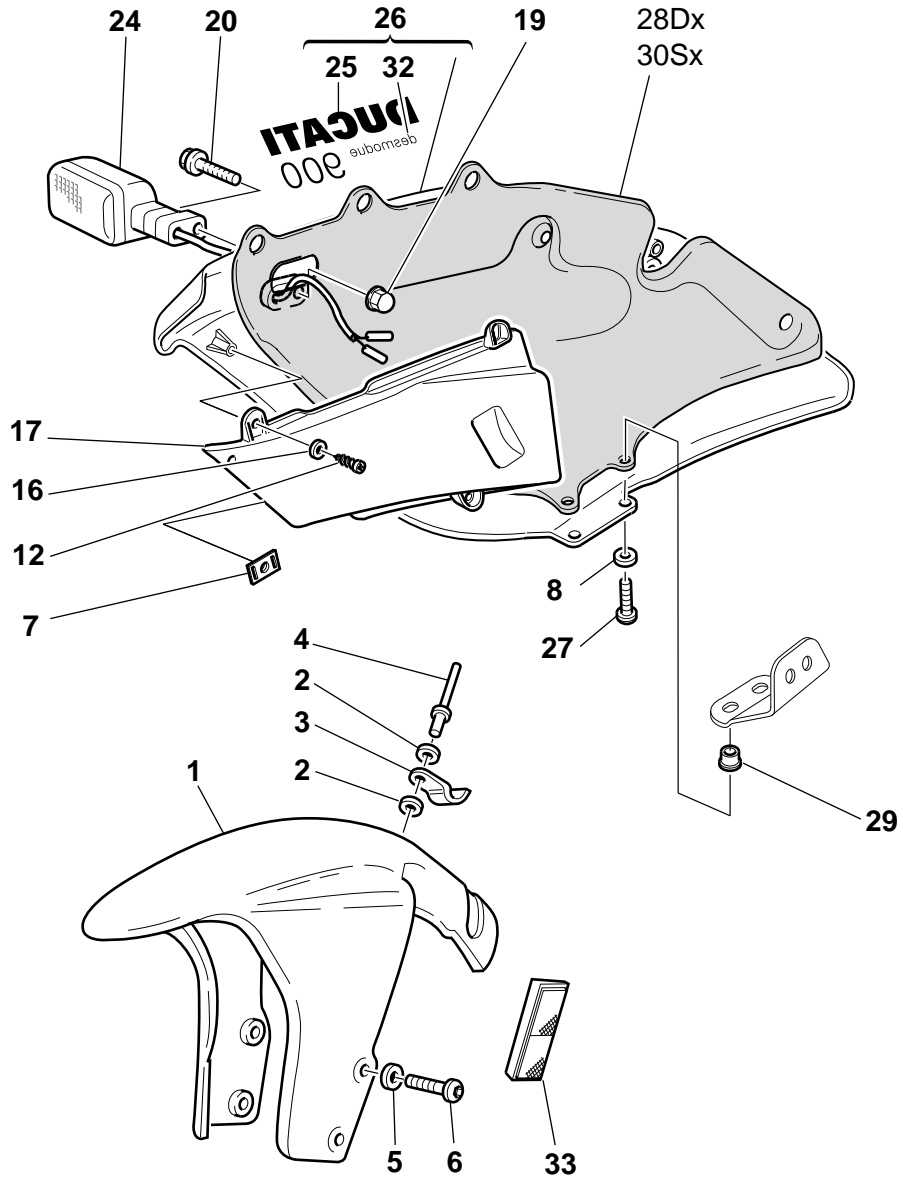


DRAWING **040** FAIRING

NOTES	NO.	CODE NO.	DESCRIPTION	VALIDITY	Q.TY	
	41	437.1.104.1AA	L.H. Sticker "SUPERSPORT" (RED)		1	
	41	437.1.104.1AB	L.H. Sticker "SUPERSPORT" (RED)		1	
	42	529.1.008.1AB	Cat's eye (AMBER)		1	

NOTES	NO.	CODE NO.	DESCRIPTION	VALIDITY	Q.TY	
-------	-----	----------	-------------	----------	------	---

DRAWING **040.1** HALF FAIRING

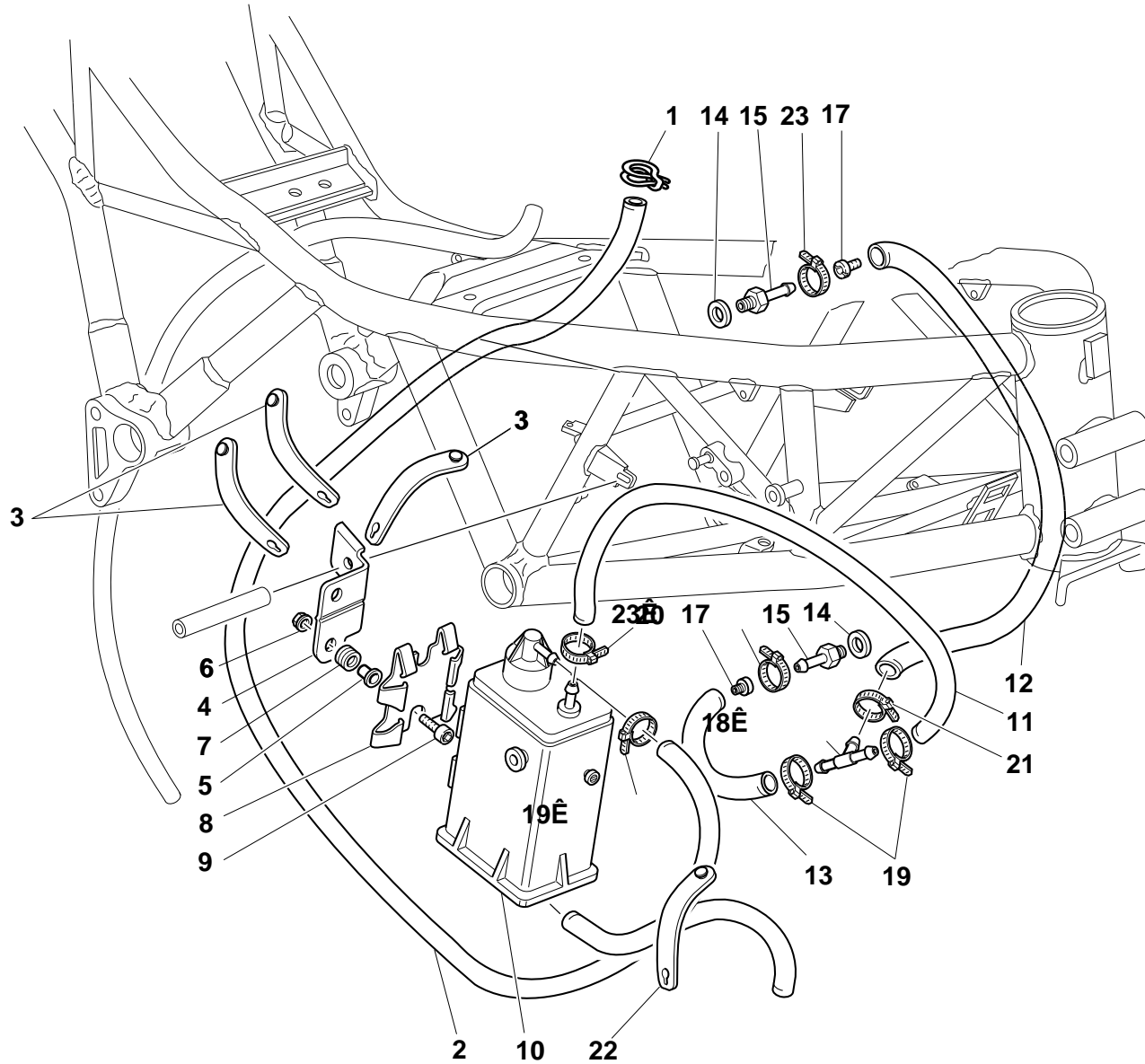


DRAWING **040.1** HALF FAIRING


NOTES	NO.	CODE NO.	DESCRIPTION	VALIDITY	Q.TY	
	1	564.1.018.1A	Front mudguard (RED)		1	
	1	564.1.018.1AB	Front mudguard (YELLOW)		1	
	1	564.3.018.1A	Front mudguard (unpainted)		1	
	2	852.1.075.1A	Washer		2	
	3	850.1.003.1A	Clip		1	
	4	736.4.013.1B	Shear rivet		1	
	5	856.1.042.1A	Nylon washer		4	
	6	772.5.023.1A	Screw		4	
	7	850.4.039.1A	Quik fastening		2	
	8	856.4.002.1A	Washer		10	
	9	775.1.011.1A	Screw		4	
	10	0364.99.020	Bush		2	
	11	484.1.033.1A	L.H. air manifold		1	
	12	72237.0658	Screw		6	
	13	841.1.028.1A	Retainer		2	
	14	779.5.001.1A	Screw		2	
	15	775.1.013.1A	Screw		2	
	16	852.5.002.1A	Washer		6	
	17	484.1.032.1A	R.H. air manifold		1	
	18	480.1.086.1BA	L.H. half- fairing (RED)		1	
	18	480.1.086.1BB	L.H. half- fairing (YELLOW)		1	
	18	480.3.086.1A	L.H. half-fairing (not painted)		1	
	19	8000.44240	Nut		2	
	20	771.5.667.2B	Screw		2	
	21	8000.74504	Turn indicator		1	
	22	8000.36726	Bulb		2	

NOTES	NO.	CODE NO.	DESCRIPTION	VALIDITY	Q.TY	
	23	8000.74507	Cup		2	
	24	8000.74505	Turn indicator		1	
	25	437.1.105.1AA	R.H. Sticker "SUPERSPORT" (RED)		1	
	25	437.1.105.1AB	R.H. Sticker "SUPERSPORT" (YELLOW)		1	
	26	480.1.085.1BA	R.H. half-fairing (RED)		1	
	26	480.1.085.1BB	R.H. half-fairing (YELLOW)		1	
	26	480.3.085.1A	R.H. half-fairing (not painted)		1	
	27	8BB0.61070	Screw		4	
	28	486.1.052.1A	R.H. side panel		1	
	29	850.4.038.1A	Quik fastening		4	
	30	486.1.053.1A	L.H. side panel		1	
	31	437.1.104.1AA	L.H. Sticker "SUPERSPORT" (RED)		1	
	31	437.1.104.1AB	L.H. Sticker "SUPERSPORT" (RED)		1	
	32	437.1.108.1AA	Sticker "DESMODUE"		2	
	32	437.1.108.1AB	Sticker "DESMODUE" (YELLOW)		2	
	33	529.1.008.1AB	Cat's eye (AMBER)		2	

DRAWING **041** FUEL INFEED

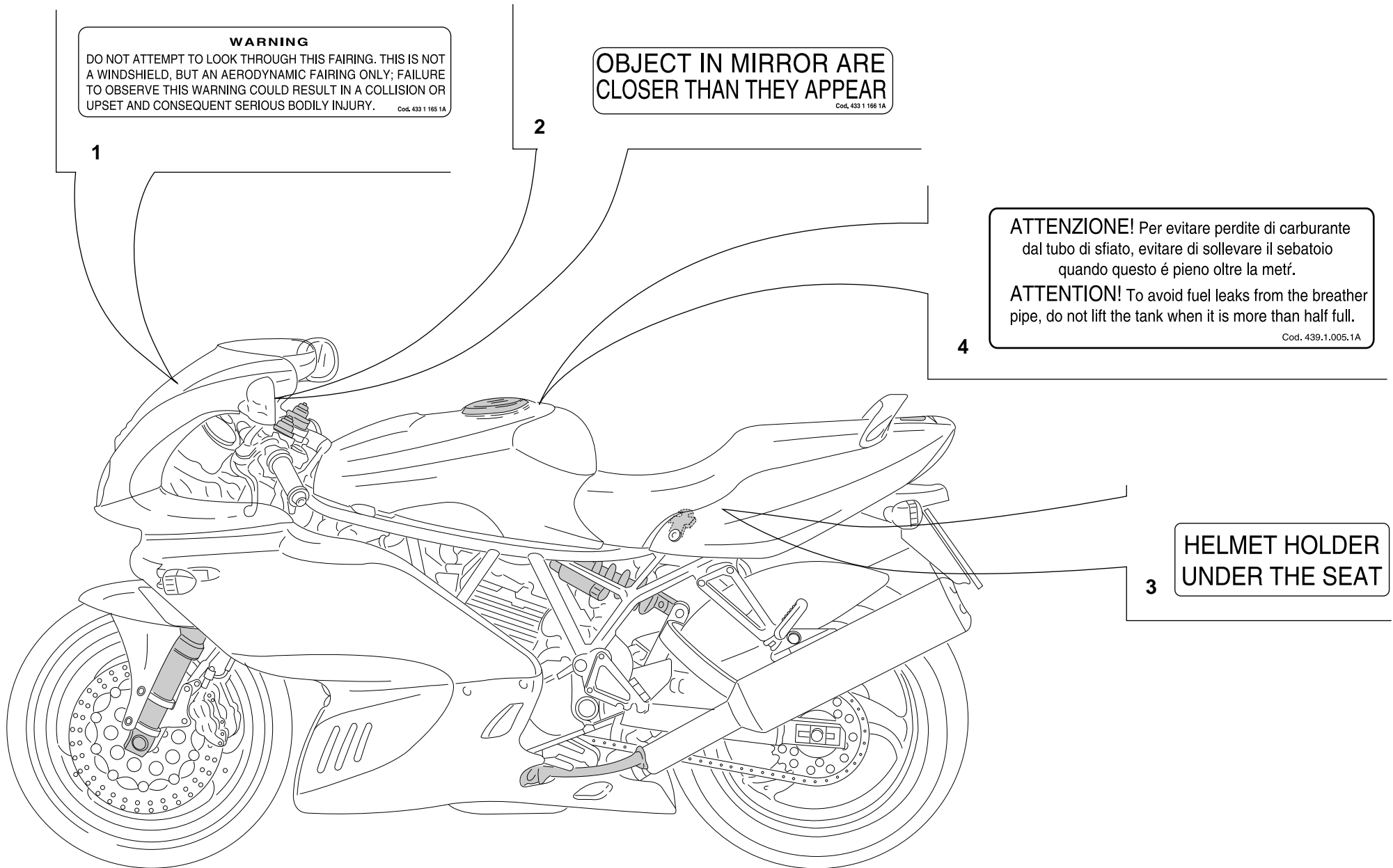


DRAWING **041** FUEL INFEED

NOTES	NO.	CODE NO.	DESCRIPTION	VALIDITY	Q.TY	
	1	741.4.057.1A	Clamp		1	
	2	590.1.116.1A	Tube		1	
	3	741.1.013.1A	Clamp		3	
	4	827.1.183.1A	Holder		1	
	5	716.1.043.1A	Spacer		2	
	6	8000.44240	Nut		2	
	7	0000.16132	Rubber pad		2	
	8	827.1.157.1A	Plate		1	
	9	779.5.001.1A	Screw		2	
	10	426.1.007.1A	CANISTER filter		1	
	11	590.1.117.1A	Tube		1	
	12	590.1.070.1B	Tube		1	
	13	590.1.111.1B	Tube		1	
	14	0250.70.223	Aluminium gasket		2	
	15	0370.98.880	Union		2	
	16	741.5.012.1B	Clamp		2	
	17	0615.27.143	Idling jet 50		1	
	18	0361.98.850	Shunt valve		1	
	19	741.4.037.1A	Clamp		3	
	20	741.4.058.1A	Clamp		1	
	21	741.4.059.1A	Clamp		1	
	22	741.1.012.1A	Clamp		1	
	23	741.4.012.1A	Clamp		2	

NOTES	NO.	CODE NO.	DESCRIPTION	VALIDITY	Q.TY	
-------	-----	----------	-------------	----------	------	---

DRAWING **042** MARKING PLATES




WARNING
DO NOT ATTEMPT TO LOOK THROUGH THIS FAIRING. THIS IS NOT A WINDSHIELD, BUT AN AERODYNAMIC FAIRING ONLY; FAILURE TO OBSERVE THIS WARNING COULD RESULT IN A COLLISION OR UPSET AND CONSEQUENT SERIOUS BODILY INJURY. Cod. 433.1.165.1A

OBJECT IN MIRROR ARE CLOSER THAN THEY APPEAR
Cod. 433.1.166.1A

ATTENZIONE! Per evitare perdite di carburante dal tubo di sfiato, evitare di sollevare il serbatoio quando questo é pieno oltre la metá.
ATTENTION! To avoid fuel leaks from the breather pipe, do not lift the tank when it is more than half full. Cod. 439.1.005.1A

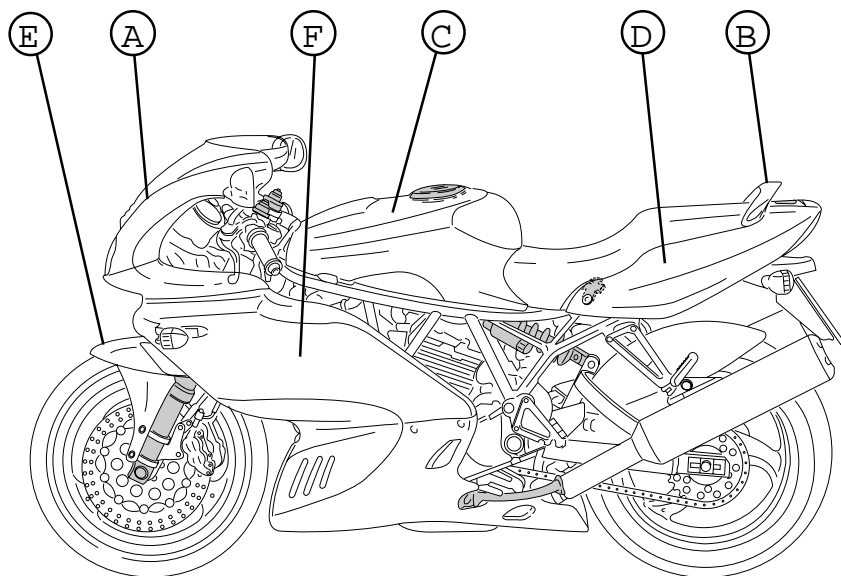
HELMET HOLDER UNDER THE SEAT

DRAWING **042** MARKING PLATES

NOTES	NO.	CODE NO.	DESCRIPTION	VALIDITY	Q.TY	
	1	433.1.165.1A	Sticker		1	
	2	433.1.166.1A	Label		2	
	3	433.1.170.1A	Sticker		1	
	4	433.1.164.1A	Sticker		1	

NOTES	NO.	CODE NO.	DESCRIPTION	VALIDITY	Q.TY	
-------	-----	----------	-------------	----------	------	---

PAINTS



- A Headlight fairing
- B Handle
- C Fuel tank
- D Body panel
- E Front mudguard
- F Fairing

Paint	Code	LECHLER	Code	SALCHI	Code	PPG
-------	------	---------	------	--------	------	-----

"Rosso Anniversary DUCATI" 473.101

Giallo DUCATI 473.201

INDEX

CODE No.	Drwg.	POS. N.	CODE No.	Drwg.	POS. N.	CODE No.	Drwg.	POS. N.	CODE No.	Drwg.	POS. N.	CODE No.	Drwg.	POS. N.
0000.01199	20	19	0170.91.730	20	28	0375.92.170	15	17	0660.13.045	2	15	0670.16.170	3	26
0000.16132	41	7	0170.91.730	21	15	0375.92.210	14	13	0660.13.060	2	19	0670.16.171	3	26
0000.17847	40	32	0204.70.105	13	7	0375.92.210	15	19	0660.13.070	2	13	0670.16.184	3	15
0000.33552	26	20	0214.07.350	2	22	0400.09.050	2	21	0660.13.133	2	7	0670.16.185	3	15
0000.44099	29	11	0214.07.350	8	26	0400.16.190	13	14	0660.13.143	2	9	0670.17.395	14	25
0000.44119	1	15	0250.70.223	41	14	0400.17.030	4	36	0660.13.165	2	25	0670.17.395	15	23
0000.44120	1	16	0251.47.050	3	1	0400.17.030	7	1	0660.16.145	4	21	0670.49.310	9	26
0000.55701	22	4	0251.47.054	3	1	0400.29.040	8	11	0660.29.030	13	9	0670.49.910	9	21
0000.56803	29	4	0272.91.090	2	8	0400.29.125	13	17	0660.47.040	6	13	0670.92.010	10	8
0000.59056	20	14	0335.03.465	16	25	0400.29.125	2	34	0660.49.053	9	17	0670.92.190	14	8
0000.61078	26	12	0361.91.730	36	10	0400.29.126	13	17	0660.50.020	12	8	0670.92.190	15	8
0000.61172	36	2	0361.98.850	41	18	0400.29.126	2	34	0660.70.065	9	4	0670.92.190	32	14
0000.62700	35	26	0364.99.015	32	28	0400.49.240	11	18	0660.92.183	14	16	0675.03.210	1	17
0000.63150	39	4	0364.99.020	40	10	0400.49.240	5	13	0660.92.183	15	18	0675.49.540	5	24
0000.63161	39	10	0364.99.020	40.1	10	0404.02.390	17	4	0660.92.240	14	15	0691.37.020	24	12
0000.64471	34	3	0364.99.710	32	27	0504.03.085	2	5	0660.92.240	15	10	0691.91.010	24	4
0000.66181	27	15	0370.39.780	33	32	051.2.001.1A	1	3	0660.92.245	14	15	0691.91.030	22	22
0000.66527	29	20	0370.49.250	10	22	0615.27.143	41	17	0660.92.245	15	10	0723.92.239	14	19
0000.70139	1.1	2	0370.69.020	20	12	0619.47.030	6	12	0660.92.310	13	18	0723.92.239	15	16
0000.78348	23	5	0370.72.020	26	8	0619.50.065	12	17	0665.49.680	5	8	0727.92.239	14	17
0011.52.010	10	23	0370.72.020	27	18	0619.84.015	17	2	0670.16.145	3	7	0727.92.239	15	14
0124.40.050	12	9	0370.84.005	17	1	0619.92.180	14	8	0670.16.150	3	3	0755.29.025	6	17
0124.40.060	8	12	0370.92.050	13	12	0619.92.180	15	8	0670.16.155	3	19	0755.29.025	8	21
0150.70.120	5	17	0370.98.610	31	6	0647.29.040	12	15	0670.16.163	3	11	0755.49.265	10	2
0150.70.120	9	28	0370.98.880	41	15	0647.70.010	14	12	0670.16.164	3	11	0755.49.310	31	16
0150.92.280	2	5	0370.99.013	32	19	0647.70.010	15	20	0670.16.164	3	15	0755.49.310	36	17
0150.92.280	38	15	0375.92.170	14	14	0659.16.558	4	1	0670.16.165	3	15	0759.49.280	9	15

INDEX

CODE No.	Drwg.	POS. N.	CODE No.	Drwg.	POS. N.	CODE No.	Drwg.	POS. N.	CODE No.	Drwg.	POS. N.	CODE No.	Drwg.	POS. N.
0765.92.185	14	8	117.1.017.1A	38	14	172.1.003.1A	3	8	211.1.003.4A	15	6	247.1.115.1A	21	10
0765.92.185	15	8	117.1.025.2A	33	13	172.1.004.1A	3	5	220.2.017.6A	28	10	250.2.030.2A	9	5
0765.92.190	14	8	117.1.030.1A	20	8	172.1.005.1A	3	9	220.3.205.5A	9	18	254.1.001.1A	11	7
0765.92.190	15	8	120.2.048.1A	7	4	172.1.006.1B	3	18	220.3.208.3A	9	16	254.4.001.1A	5	4
0765.92.195	14	8	120.2.049.1A	7	8	172.1.007.1B	3	24	225.2.039.3B	10	1	255.1.001.1B	8	15
0765.92.195	15	8	121.1.040.1A	7	3	172.1.008.1A	3	22	235.1.007.3A	13	5	255.1.004.1A	13	3
0765.92.205	14	8	121.2.029.1A	7	11	172.1.009.1A	3	21	235.1.008.1A	13	11	264.4.014.2B	11	1
0765.92.205	15	8	122.2.050.1A	7	9	172.1.010.1A	3	20	235.2.015.2A	13	20	270.4.001.1A	12	1
0765.92.205	2	21	135.1.008.1A	31	8	172.1.011.1A	3	23	236.1.010.3A	4	26	276.1.025.1B	12	16
0795.37.120	24	13	137.1.003.2B	16	11	173.1.004.1A	12	20	240.1.010.1AB	14	10	280.4.002.1A	16	10
0796.38.305	22	2	145.2.034.1A	6	14	174.1.002.1A	9	3	240.1.010.1AB	15	12	282.4.018.1A	16	1
0797.69.040	13	2	146.2.061.1A	6	1	174.1.004.1A	9	12	240.1.012.1BB	15	24	283.4.003.1A	16	21
0797.69.040	8	17	147.1.015.1A	8	9	174.2.016.2A	9	1	242.2.034.1A	11	19	284.4.002.1A	16	2
0797.72.068	22	9	148.1.066.1A	13	16	176.1.001.1A	12	6	243.1.025.1AC	5	1	285.4.003.1A	29	10
0797.72.068	29	13	148.1.067.1A	13	22	176.1.002.1A	12	10	243.2.004.1AC	5	6	286.4.022.1B	30	11
0799.13.110	2	27	149.1.003.1A	3	25	180.1.001.1A	2	11	245.1.006.1AB	8	6	287.4.014.1A	22	5
0803.77.010	34	16	150.2.003.1A	3	28	180.1.002.1A	2	12	245.1.007.1AB	8	1	287.4.024.1B	16	8
0805.17.125	7	7	150.2.005.1A	3	27	180.1.008.1A	2	24	245.1.008.1AB	8	4	287.4.040.1A	30	13
0905.49.960	9	20	150.2.006.1A	3	2	182.2.006.2B	2	18	245.1.009.1AB	8	8	300160	15	25
0960.91.130	19	10	158.2.002.2A	6	5	190.2.001.3A	4	8	245.1.010.1AB	8	7	301.2.018.1BA	14	1
0960.91.130	22	8	160.1.004.1B	34	18	194.2.001.1B	4	12	246.1.009.1A	22	15	301.2.019.2BA	15	1
0960.91.130	30	16	160.1.013.1B	38	6	195.2.002.1B	4	22	246.1.046.1B	31	7	303.1.003.1A	14	4
0960.91.130	36	15	160.1.057.1A	12	13	196.1.001.1B	4	10	247.1.002.1BB	11	9	303.1.003.1A	15	3
112.1.001.1A	6	8	162.1.001.1B	4	7	198.1.027.1A	4	13	247.1.073.1A	20	21	303.1.003.1AB	14	4
112.1.001.1AB	6	8	170.2.023.1A	4	17	210.1.003.5A	14	22	247.1.083.1AB	11	4	303.1.003.1AB	15	3
112.1.001.1AC	6	8	171.2.013.1B	8	10	210.1.003.5A	15	7	247.1.104.1A	9	2	303.1.003.1AC	14	4
117.1.001.2A	4	29	172.1.002.1B	3	10	211.1.003.4A	14	21	247.1.112.1B	39	8	303.1.003.1AC	15	3

INDEX

CODE No.	Drwg.	POS. N.	CODE No.	Drwg.	POS. N.	CODE No.	Drwg.	POS. N.	CODE No.	Drwg.	POS. N.	CODE No.	Drwg.	POS. N.
303.1.003.1AD	14	4	349.1.065.1A	25	9	389.4.010.1A	22	14	425.4.004.1B	37	4	442.1.042.1B	31	2
303.1.003.1AD	15	3	349.1.095.1A	25	2	389.4.012.1A	29	3	425.4.008.1A	37	8	442.2.041.1B	31	1
303.2.004.1C	14	5	349.1.096.1A	25	16	390.4.002.1A	23	16	426.1.007.1A	41	10	446.1.001.1B	32	29
303.2.004.1C	15	2	349.1.098.1A	25	11	390.4.003.1A	35	3	430.4.004.1A	37	6	447.1.005.1BB	32	18
303.2.004.1CB	14	5	349.1.100.1A	25	5	395.4.001.1A	30	14	433.1.028.1C	5	19	449.1.003.3A	3	12
303.2.004.1CB	15	2	349.1.101.1A	25	18	397.4.001.1A	30	3	433.1.108.1A	32	20	451.1.005.2A	8	24
303.2.004.1CC	14	5	349.1.102.1A	25	20	401.4.014.1A	23	4	433.1.143.1A	22	16	451.1.025.1A	8	20
303.2.004.1CC	15	2	349.1.103.1A	25	21	402.4.008.1A	23	15	433.1.164.1A	42	4	451.2.001.1A	8	23
303.2.004.1CD	14	5	349.1.115.1A	25	17	403.1.010.1A	23	19	433.1.165.1A	42	1	455.2.003.1A	2	4
303.2.004.1CD	15	2	349.1.116.1A	25	24	404.4.008.1A	23	13	433.1.166.1A	42	2	456.2.007.1A	20	16
304.1.005.2A	14	2	349.1.117.1A	25	22	406.1.012.1A	23	1	433.1.170.1A	42	3	457.2.008.1A	33	6
304.1.005.2A	15	4	349.1.118.1A	25	3	407.4.001.1B	23	7	435.1.030.1AA	38	28	460.1.081.1A	38	10
304.1.005.2AB	14	2	349.1.119.1A	25	7	417.5.033.7A	13	23	436.1.030.1AA	36	5	460.1.082.1A	38	11
304.1.005.2AB	15	4	349.1.120.1A	25	23	417.6.075.9A	5	3	436.1.030.1AB	36	5	462.3.003.7A	2	31
304.1.005.2AC	14	2	349.2.010.1A	25	15	417.7.007.1A	35	27	437.1.104.1AA	40	41	462.3.003.7A	8	22
304.1.005.2AC	15	4	349.2.014.1A	25	10	417.9.050.6A	12	3	437.1.104.1AA	40.1	31	462.3.003.8A	2	29
304.1.006.2A	14	3	360.2.022.1A	24	17	420.2.000.7A	14	23	437.1.104.1AB	40	41	462.4.037.6A	30	1
304.1.006.2A	15	5	360.2.023.1A	24	30	420.2.000.7A	7	13	437.1.104.1AB	40.1	31	462.4.037.6A	9	11
304.1.006.2AB	14	3	365.2.035.1A	32	2	420.2.000.8A	2	5	437.1.105.1AA	40	25	462.4.037.8A	9	9
304.1.006.2AB	15	5	366.1.035.1A	25	6	420.2.001.0A	17	9	437.1.105.1AA	40.1	25	463.2.019.6A	7	2
304.1.006.2AC	14	3	369.1.004.1A	32	17	420.2.001.0A	26	17	437.1.105.1AB	40	25	463.2.022.2A	16	14
304.1.006.2AC	15	5	370.1.009.2C	32	13	420.2.001.0A	27	8	437.1.105.1AB	40.1	25	463.2.053.7A	4	15
340.2.095.1A	25	1	373.1.012.1A	32	24	420.2.001.0A	33	25	437.1.108.1AA	40	40	463.4.026.9A	4	16
340.2.096.1A	25	4	389.4.006.1A	22	14	420.2.001.0A	9	34	437.1.108.1AA	40.1	32	463.4.047.7A	5	18
341.1.024.1A	24	9	389.4.006.1A	29	2	420.2.006.2A	10	40	437.1.108.1AB	40	40	463.7.022.6A	4	20
342.2.007.1A	24	3	389.4.007.1A	22	14	420.2.006.2A	9	32	437.1.108.1AB	40.1	32	464.1.005.1A	20	20
349.1.064.1A	25	8	389.4.008.1A	22	14	420.2.006.4A	10	43	442.1.007.2A	31	4	464.1.006.1A	21	13

INDEX

CODE No.	Drwg.	POS. N.	CODE No.	Drwg.	POS. N.	CODE No.	Drwg.	POS. N.	CODE No.	Drwg.	POS. N.	CODE No.	Drwg.	POS. N.
465.1.008.1A	20	27	482.1.025.1BA	36	6	510.1.149.1A	22	20	552.4.028.1A	1.2	15	590.1.096.1A	16	16
465.1.010.1A	21	6	482.1.025.1BB	36	6	514.1.025.1A	30	5	556.1.018.1C	18	9	590.1.099.1A	16	18
470.1.042.1AB	19	1	482.1.026.1BA	36	7	516.4.001.1AB	29	6	556.1.023.1A	18	3	590.1.101.1A	37	14
480.1.081.1BA	40	26	482.1.026.1BB	36	7	520.4.015.3A	22	1	556.2.021.1A	18	1	590.1.103.1A	16	17
480.1.081.1BB	40	26	482.3.025.1A	36	6	520.4.016.3A	22	1	559.1.006.1A	36	1	590.1.104.1A	16	7
480.1.082.1BA	40	18	482.3.026.1A	36	7	520.4.016.3A	22	1	561.1.013.2A	35	24	590.1.108.1A	37	2
480.1.082.1BB	40	18	484.1.032.1A	40	17	520.4.016.3A	22	1	564.1.018.1A	40	1	590.1.111.1B	41	13
480.1.083.1AA	40	27	484.1.032.1A	40.1	17	523.4.008.1A	39	7	564.1.018.1A	40.1	1	590.1.116.1A	41	2
480.1.083.1AB	40	27	484.1.033.1A	40	11	523.4.009.1A	39	5	564.1.018.1AB	40	1	590.1.117.1A	41	11
480.1.084.1BA	40	28	484.1.033.1A	40.1	11	525.1.004.2A	35	31	564.1.018.1AB	40.1	1	590.1.157.1A	37	1
480.1.084.1BB	40	28	484.1.035.1A	40	16	525.4.014.1A	35	1	564.3.018.1A	40	1	592.1.005.2B	37	9
480.1.085.1BA	40.1	26	484.1.036.1A	40	15	529.1.006.1A	35	28	564.3.018.1A	40.1	1	593.1.003.1B	10	33
480.1.085.1BB	40.1	26	486.1.052.1A	40.1	28	529.1.008.1AB	40	42	565.1.011.1B	32	1	593.1.018.1A	9	29
480.1.086.1BA	40.1	18	486.1.053.1A	40.1	30	529.1.008.1AB	40.1	33	570.1.038.1A	17	7	595.1.038.1A	36	8
480.1.086.1BB	40.1	18	486.1.054.1A	40	37	532.4.003.1A	35	2	571.1.038.1A	17	5	598.2.023.1A	35	30
480.3.081.1B	40	26	486.1.055.1A	40	39	538.4.005.1A	22	3	573.1.047.1A	17	11	598.2.026.2A	19	13
480.3.082.1B	40	18	487.2.018.2A	39	1	539.1.023.1A	18	5	574.1.047.1A	17	18	598.4.011.1A	24	8
480.3.083.1A	40	27	492.4.003.1A	34	24	539.4.003.1B	33	15	575.1.001.1AB	17	3	60N101079	10	15
480.3.084.1B	40	28	492.4.024.1A	34	10	539.4.008.1D	5	16	576.1.031.1A	17	12	60N101206	18	2
480.3.085.1A	40.1	26	494.1.005.3A	34	15	539.4.020.1A	2	6	576.1.032.1A	17	19	60N102505	22	10
480.3.086.1A	40.1	18	497.2.001.2A	34	8	539.4.021.1A	27	5	585.1.008.2B	31	22	60N102505	33	34
481.1.019.1AA	39	3	501.2.019.1AF	34	7	540.4.011.1C	29	18	585.4.001.1A	33	20	60N102505	8	2
481.1.019.1AB	39	3	502.2.022.1AB	34	23	548.4.025.1A	28	9	586.1.030.1BA	38	1	60N102509	11	13
481.1.020.1AA	39	14	510.1.070.1A	23	12	552.4.004.2A	9	35	586.1.030.1BB	38	1	60N102509	13	21
481.1.020.1AB	39	14	510.1.121.1A	35	35	552.4.009.1A	11	25	586.3.030.1A	38	1	60N102509	14	11
481.3.019.1A	39	3	510.1.127.1A	23	14	552.4.012.1A	22	7	590.1.056.1A	37	13	60N102509	15	13
481.3.020.1A	39	14	510.1.146.1B	29	1	552.4.013.1A	15	32	590.1.070.1B	41	12	60N102509	2	28

INDEX

CODE No.	Drwg.	POS. N.	CODE No.	Drwg.	POS. N.	CODE No.	Drwg.	POS. N.	CODE No.	Drwg.	POS. N.	CODE No.	Drwg.	POS. N.
60N102509	35	33	612.4.014.1A	27	4	654.2.003.1A	24	23	700.1.011.1A	28	6	711.1.072.1A	10	39
60N102509	5	2	612.4.016.1A	33	29	655.2.006.1A	24	20	700.1.026.1A	30	9	712.1.009.1A	38	13
60N102509	8	3	612.4.017.1A	27	10	656.1.018.1A	24	31	701.4.003.1A	12	19	712.1.013.1A	38	19
60N102510	11	6	613.4.020.1A	27	25	656.2.012.1A	24	16	701.4.005.1A	3	4	713.1.006.1A	13	6
60N102510	12	5	613.4.021.1A	33	33	658.4.002.1B	24	22	701.4.007.1A	12	21	713.1.011.1A	3	15
60N102510	5	5	618.4.035.1B	27	23	669.1.003.1A	14	18	702.5.008.1A	10	20	713.1.012.1B	4	31
60N102510	8	28	619.4.016.1B	33	23	669.1.003.1A	15	15	702.5.008.1A	11	3	713.1.014.1A	3	11
60N102510	9	10	624.4.012.1A	27	1	670.4.008.1A	29	21	702.5.016.1A	4	14	713.1.014.1A	3	15
60N102511	11	17	625.4.006.1A	33	26	671.1.012.1A	29	5	703.1.019.1A	15	30	713.1.014.1B	3	11
60N102511	19	12	626.4.007.1A	27	2	671.1.013.1A	29	14	70610.8120	4	11	713.1.014.1E	3	11
60N102511	28	5	626.4.008.1A	27	20	672.1.006.1A	4	27	70620.5212	11	22	713.1.014.1E	3	15
60N102557	24	11	626.4.009.1A	27	3	672.1.023.1A	30	17	70620.5212	16	26	713.1.014.1F	3	11
60N102585	24	24	626.4.010.1A	26	4	672.1.024.1A	30	18	70620.8090	10	26	713.1.032.1A	34	13
60N102585	32	15	626.4.011.1A	26	3	672.4.004.1A	22	19	70700.6208	7	14	713.1.134.1A	31	13
60N102587	32	3	626.4.013.1A	33	28	672.4.005.1A	22	27	70700.6N02	26	10	713.1.137.1A	15	27
60N102589	32	8	630.4.010.1AB	26	1	676.2.032.1A	34	26	70700.6N02	27	19	713.1.140.1A	10	14
60N102590	24	28	631.4.004.1A	27	9	676.4.001.3A	32	32	707006N01	31	10	713.1.152.1A	24	33
60N107335	13	10	631.4.008.1A	26	5	677.4.002.1A	1.1	4	707006N02	28	7	714.1.028.1A	34	6
60N107335	4	28	631.4.008.1A	27	21	680.1.001.1B	9	7	70914.2121	17	14	714.1.040.1A	34	22
60N115062	20	7	631.4.008.1A	33	27	684.1.025.1A	18	11	710.1.001.1A	9	13	716.1.043.1A	41	5
60N115062	33	9	631.4.009.1A	26	2	684.1.027.2A	19	11	710.1.002.1A	4	33	716.1.051.1A	31	21
60N115548	35	23	632.1.016.1B	26	18	684.1.042.1A	40	30	710.1.005.2A	10	21	716.1.051.1A	36	16
610.4.011.2B	27	26	650.4.006.1B	24	29	684.1.043.1A	40	31	710.1.006.1A	34	17	716.4.001.1A	22	24
610.4.012.2B	27	7	651.4.006.2A	24	18	684.1.044.1A	17	16	710.1.012.1B	10	30	72094.1616	10	10
611.4.008.1A	33	35	651.4.007.2A	24	18	684.1.045.1A	19	14	710.1.032.1A	10	38	72121.2106	6	4
612.4.008.1A	27	12	651.4.007.2A	24	18	697.2.010.1B	36	3	711.1.006.1A	10	32	72237.0658	40	12
612.4.008.1A	33	31	652.4.002.1A	24	10	700.1.005.1A	34	21	711.1.007.1A	6	6	72237.0658	40.1	12

INDEX

CODE No.	Drwg.	POS. N.	CODE No.	Drwg.	POS. N.	CODE No.	Drwg.	POS. N.	CODE No.	Drwg.	POS. N.	CODE No.	Drwg.	POS. N.
723.1.005.2A	38	25	73500.1747	15	26	741.4.059.1A	41	21	75143.3380	10	25	764.4.007.1A	22	23
72430.6001	30	2	73503.3075	5	11	741.4.062.1A	32	10	75162.2566	34	5	76400.0004	10	3
72450.8001	24	1	73503.3380	10	18	741.5.011.1B	37	12	75163.3268	34	20	76401.0002	20	6
72944.1542	13	1	73503.3380	11	2	741.5.012.1B	41	16	75166.1238	8	25	76401.0003	20	10
72944.1542	8	18	73503.3449	16	22	74172.1008	13	15	75173.1542	13	19	76402.0002	3	17
729908FN1	16	15	736.4.013.1B	40	4	74172.1008	6	10	75191.3380	10	29	766.1.001.2B	10	6
729908FN1	17	10	736.4.013.1B	40.1	4	74172.1008	8	13	75791.1747	10	9	76835.1134	2	10
729908FN1	19	8	737.4.002.1A	8	19	74223.1045	31	14	75794.1542	10	17	771.4.006.1A	11	14
729910FF1	19	3	741.1.003.1A	17	6	74224.0570	4	34	759.1.006.1A	30	6	771.5.025.2B	29	9
732.2.009.1A	35	10	741.1.012.1A	41	22	74224.0570	6	7	759.2.016.1A	38	27	771.5.040.0C	3	14
73270.8001	17	13	741.1.013.1A	41	3	747.5.001.1A	20	9	760.1.003.1A	31	9	771.5.040.2B	11	21
734005N01	11	26	741.1.019.1A	25	25	748.1.008.1A	32	22	76266.2668	10	4	771.5.040.2B	38	21
734005N01	3	29	741.4.002.1A	31	15	748.1.014.1B	34	1	76267.0012	9	24	771.5.040.2B	8	5
734006N01	12	2	741.4.004.1A	16	5	748.4.024.1A	34	12	76270.0827	3	31	771.5.043.2B	35	22
734010N01	32	6	741.4.004.1A	37	3	748.4.026.1B	30	10	763106N01	20	5	771.5.043.2B	4	4
734305N01	35	13	741.4.008.2A	37	11	748.4.026.1B	39	13	763110N01	32	7	771.5.045.7E	38	4
734306N01	10	37	741.4.012.1A	41	23	749.4.045.2G	18	10	764.1.001.1A	17	15	771.5.064.2B	11	5
734306N01	22	28	741.4.022.1A	16	3	749.5.001.1A	35	18	764.1.003.1B	4	6	771.5.072.2B	10	31
734306N01	28	3	741.4.037.1A	41	19	749.5.002.1A	35	14	764.1.005.1A	22	21	771.5.072.2B	5	23
734306N01	35	32	741.4.040.1A	16	9	750.1.002.1B	4	35	764.1.009.1A	14	20	771.5.073.2B	11	16
734306N01	5	22	741.4.041.1A	16	6	750.1.012.2A	6	16	764.1.009.1A	15	21	771.5.078.2B	12	12
734310N01	32	5	741.4.042.1A	16	13	750.1.046.1A	32	25	764.1.010.1A	38	17	771.5.078.2B	5	20
73500.0624	33	3	741.4.043.1A	26	14	750.5.001.1A	2	23	764.1.011.1A	20	15	771.5.080.2B	10	27
73500.1237	12	7	741.4.043.1A	27	16	75110.1747	13	8	764.1.011.2A	33	5	771.5.122.2B	2	30
73500.1237	9	25	741.4.043.1A	33	17	75110.2054	13	13	764.1.013.1A	14	6	771.5.122.2B	8	27
73500.1440	12	11	741.4.057.1A	41	1	75113.2566	4	18	764.1.013.1A	15	22	771.5.129.2B	9	8
73500.1542	2	35	741.4.058.1A	41	20	75130.2566	10	12	764.4.004.1A	19	2	771.5.136.2B	10	24

INDEX

CODE No.	Drwg.	POS. N.	CODE No.	Drwg.	POS. N.	CODE No.	Drwg.	POS. N.	CODE No.	Drwg.	POS. N.	CODE No.	Drwg.	POS. N.
771.5.663.2B	19	6	772.5.024.1A	24	7	779.1.057.1B	32	26	786.1.047.1A	7	6	799.1.088.1A	18	7
771.5.667.2B	20	11	772.5.024.1A	29	17	779.1.058.1A	26	16	787.1.008.1A	15	29	799.1.089.1A	18	6
771.5.667.2B	31	17	772.5.024.1A	33	12	779.1.058.1A	27	11	788.1.003.1B	11	24	799.2.077.1A	9	14
771.5.667.2B	35	34	772.5.024.1A	35	25	779.1.058.1A	33	24	788.1.012.1A	11	24	8000.18048	31	12
771.5.667.2B	36	18	772.5.025.1A	20	22	779.1.082.1A	26	19	788.1.013.1A	11	24	8000.36230	22	18
771.5.667.2B	40	20	772.5.025.1A	21	11	779.1.088.1A	39	6	788.1.027.1A	31	3	8000.36230	35	29
771.5.667.2B	40.1	20	772.5.025.1A	33	21	779.1.092.1A	26	7	788.1.032.2A	14	9	8000.36726	35	19
771.5.669.2B	24	14	772.5.025.1A	38	24	779.1.092.1A	27	17	788.1.032.2A	15	11	8000.36726	40	22
771.5.669.2B	26	6	774.5.002.1A	31	5	779.1.099.1A	24	2	788.1.052.1A	5	7	8000.36726	40.1	22
771.5.669.2B	27	24	77499.3421	10	19	779.1.109.1A	6	2	788.1.054.1A	12	4	8000.42278	23	18
771.5.721.2B	34	9	77499.3421	11	12	779.1.133.1A	14	24	789.1.001.1A	37	10	8000.44240	35	15
771.5.723.2B	20	2	775.1.008.1A	40	34	779.1.162.1A	9	27	791.1.015.1A	38	7	8000.44240	39	2
771.5.723.2B	21	5	775.1.011.1A	36	21	779.1.182.1A	10	41	791.1.036.1A	30	15	8000.44240	40	19
771.5.723.2B	33	30	775.1.011.1A	40	9	779.4.005.1A	18	4	791.1.039.1A	38	3	8000.44240	40.1	19
771.5.723.2B	34	25	775.1.011.1A	40.1	9	779.5.001.1A	31	20	791.1.040.1A	22	11	8000.44240	41	6
771.5.754.2B	27	6	775.1.013.1A	40	33	779.5.001.1A	36	13	791.2.003.1A	7	12	8000.56359	29	16
771.5.754.2B	33	14	775.1.013.1A	40.1	15	779.5.001.1A	40	14	799.1.012.1A	4	25	8000.56443	26	13
772.1.001.1A	19	9	776.4.002.1A	23	2	779.5.001.1A	40.1	14	799.1.025.1A	2	20	8000.56443	35	16
772.1.010.2A	8	29	777.5.038.2B	35	9	779.5.001.1A	41	9	799.1.045.1A	20	4	8000.56443	39	9
772.5.005.1A	32	9	777.5.049.2C	11	10	779.5.001.1A	9	6	799.1.045.1A	21	3	8000.56741	23	6
772.5.008.1A	29	7	777.5.049.2C	36	20	779.5.004.1A	28	13	799.1.049.1A	2	1	8000.56742	23	3
772.5.022.1A	19	7	777.5.210.2A	24	19	779.5.005.1A	9	33	799.1.051.2A	6	15	8000.56746	23	8
772.5.023.1A	22	25	779.1.007.2A	6	9	779.5.007.1A	38	2	799.1.055.1A	9	30	8000.56747	23	9
772.5.023.1A	24	27	779.1.009.1A	32	31	779.5.010.1A	39	11	799.1.058.1A	24	6	8000.56748	23	10
772.5.023.1A	29	8	779.1.026.1A	9	23	779.5.016.1A	17	17	799.1.061.1A	14	7	8000.56752	23	17
772.5.023.1A	40	6	779.1.039.1A	2	3	780.1.006.1A	9	31	799.1.061.1A	15	9	8000.59056	33	4
772.5.023.1A	40.1	6	779.1.050.1A	32	30	780.1.007.1A	17	8	799.1.083.1B	33	36	8000.59572	22	17

INDEX

CODE No.	Drwg.	POS. N.	CODE No.	Drwg.	POS. N.	CODE No.	Drwg.	POS. N.	CODE No.	Drwg.	POS. N.	CODE No.	Drwg.	POS. N.
8000.59572	30	7	8000.74507	35	20	821.1.068.1A	20	29	829.1.109.1A	28	1	850.1.003.1A	40	3
8000.62648	34	4	8000.74507	40	23	821.1.068.1A	21	14	829.1.127.1A	22	6	850.1.003.1A	40.1	3
8000.62655	20	26	8000.74507	40.1	23	821.1.070.1A	2	17	829.1.127.1A	30	12	850.4.010.1A	36	12
8000.62655	21	8	8000.77921	38	16	821.1.089.1A	36	11	829.1.136.1A	35	36	850.4.012.1A	38	12
8000.62705	38	23	8000.77936	23	11	821.1.091.1A	33	7	829.1.218.1AB	23	20	850.4.037.1A	39	12
8000.62729	10	35	801.1.023.2A	16	12	821.1.096.1A	33	10	829.1.227.1B	27	22	850.4.038.1A	40.1	29
8000.62729	16	20	801.1.024.2A	16	4	824.1.043.1A	21	1	829.1.228.1B	26	9	850.4.039.1A	40	38
8000.63150	35	6	802.1.005.1A	38	9	824.1.044.1A	20	1	829.1.230.1A	30	8	850.4.039.1A	40.1	7
8000.63150	40	7	806.1.014.0A	35	12	824.1.045.1A	21	12	829.1.231.1A	35	5	851.1.001.1B	4	9
8000.63161	35	7	806.1.014.1AA	35	12	824.1.046.1A	20	23	829.1.233.1A	22	26	851.4.001.1A	4	5
8000.63161	36	22	806.1.014.1AB	35	12	825.1.018.1A	33	18	829.1.235.1A	15	31	852.1.001.1A	32	16
8000.63161	40	8	80A0.53548	20	18	826.1.003.1A	10	11	829.1.275.1A	10	36	852.1.003.1A	32	16
8000.65535	22	13	80A0.55757	33	11	826.1.009.1A	2	33	829.2.232.1A	36	19	852.1.005.1A	2	14
8000.65535	35	8	80C0.05893	38	22	826.1.011.1A	3	13	829.2.234.1A	30	4	852.1.008.1A	5	10
8000.66526	29	19	815.1.005.1A	10	42	827.1.087.1B	33	22	830.1.091.2A	16	19	852.1.053.1A	2	2
8000.66774	24	25	815.1.005.1A	28	4	827.1.115.1A	20	24	830.1.144.1A	11	20	852.1.053.1A	20	13
8000.67981	33	8	818.2.009.1A	4	3	827.1.115.1A	21	7	830.1.170.1A	28	2	852.1.054.1A	33	2
8000.68490	27	14	819.1.009.1A	32	23	827.1.139.1B	18	8	830.1.171.1A	28	15	852.1.075.1A	40	2
8000.70127	25	12	819.1.017.1A	34	11	827.1.157.1A	41	8	835.1.002.1A	38	26	852.1.075.1A	40.1	2
8000.70133	25	14	821.1.001.1A	2	26	827.1.178.1A	29	15	841.1.002.2A	4	2	852.1.076.2A	6	11
8000.74049	34	2	821.1.009.1B	34	19	827.1.179.1A	16	27	841.1.028.1A	28	8	852.1.077.2A	6	11
8000.74504	35	4	821.1.028.1B	38	18	827.1.183.1A	41	4	841.1.028.1A	28	14	852.1.078.2A	6	11
8000.74504	40	21	821.1.033.2B	32	21	827.2.134.1A	38	20	841.1.028.1A	36	14	852.1.096.1A	24	32
8000.74504	40.1	21	821.1.051.1A	20	3	829.1.021.2A	37	5	841.1.028.1A	40	13	852.1.099.1A	17	20
8000.74505	35	21	821.1.051.1A	21	2	829.1.073.3A	5	21	841.1.028.1A	40.1	13	852.1.100.1A	6	11
8000.74505	40	24	821.1.052.1A	33	37	829.1.078.1A	33	1	847.4.002.1A	20	25	852.1.101.1A	6	11
8000.74505	40.1	24	821.1.054.1A	22	12	829.1.096.1A	29	12	847.4.002.1A	21	9	852.1.105.1AB	3	26

INDEX

CODE No.	Drwg.	POS. N.	CODE No.	Drwg.	POS. N.	CODE No.	Drwg.	POS. N.	CODE No.	Drwg.	POS. N.	CODE No.	Drwg.	POS. N.
852.1.105.1AD	3	26	872.1.015.1A	24	15	886.4.021.1A	16	24	88765.1005	1	18	88765.1126Q	1.2	5
852.1.105.1AG	3	26	872.1.019.1A	32	11	886.4.022.1A	16	23	88765.1006	1	18	88765.1126R	1.2	3
852.1.108.1AH	3	1	872.1.026.1A	19	4	886.4.028.1A	15	28	88765.1058	1	23	88765.1126S	1.2	22
852.1.108.1AL	3	1	873.1.035.1A	24	26	88700.5644	1	14	88765.1068	1.1	1	88765.1126T	1.2	23
852.1.108.1AN	3	1	875.1.025.2B	28	11	88700.5665	1	11	88765.1069	1.1	1	88765.1126U	1.2	20
852.1.111.1A	2	5	875.1.026.2B	28	12	88700.5749	1	22	88765.1070	1.1	1	88765.1126V	1.2	8
852.1.112.1A	6	11	876.1.047.3A	31	19	88713.0120	1	2	88765.1071	1.1	1	88765.1126Z	1.2	1
852.5.001.1A	35	17	876.1.071.1A	31	23	88713.0123	1	9	88765.1072	1.1	1	893.1.005.1A	5	15
852.5.002.1A	40	29	877.1.037.1A	26	15	88713.0137	1	6	88765.1073	1.2	21	893.4.005.1A	26	11
852.5.002.1A	40.1	16	877.1.053.1A	30	19	88713.0143	1	7	88765.1074	1.2	21	893.4.005.1A	33	19
852.5.003.1A	31	11	877.1.066.1A	33	16	88713.0144	1	12	88765.1075	1.2	21	894.2.003.1A	9	19
856.1.001.1A	3	6	877.1.069.1A	27	13	88713.0146	1	1	88765.1076	1.2	21	895.1.004.1A	6	3
856.1.002.1A	13	4	877.2.045.1A	31	18	88713.0262	1	13	88765.1077	1.2	21	895.4.001.2A	38	5
856.1.002.1A	8	16	881.1.010.1C	12	18	88713.0957	1.1	7	88765.1086	1	26	8A00.69056	24	5
856.1.024.1A	10	7	881.1.012.1A	2	32	88713.1010	1	19	88765.1126	1.2	6	8A00.69056	25	13
856.1.031.1A	3	16	881.1.030.1A	5	25	88713.1072	1.1	6	88765.1126A	1.2	4	8BB0.61070	39	15
856.1.040.1A	40	35	881.2.001.1A	4	19	88713.1091	1	25	88765.1126B	1.2	12	8BB0.61070	40.1	27
856.1.042.1A	40	5	882.1.003.1A	8	14	88713.1096	1.1	8	88765.1126C	1.2	11	913.7.066.1A	36	4
856.1.042.1A	40.1	5	882.1.006.1A	2	16	88713.1139	1	4	88765.1126D	1.2	14	914.7.023.1A	1.2	2
856.4.002.1A	40	36	884.1.005.1A	25	26	88713.1215	1	10	88765.1126E	1.2	9	914.7.023.1B	1.2	2
856.4.002.1A	40.1	8	884.4.001.1A	34	14	88713.1332	1	21	88765.1126F	1.2	13	914.7.023.1C	1.2	2
863.1.002.1A	12	14	884.4.007.1A	32	12	88713.1344	1.1	3	88765.1126G	1.2	17	914.7.023.1D	1.2	2
866.1.030.1A	36	9	884.4.011.1A	7	10	88713.1419	1	5	88765.1126H	1.2	16	914.7.023.1E	1.2	2
866.1.035.1A	19	5	884.4.012.1A	37	7	88713.1502	1	24	88765.1126L	1.2	19	930.1.005.1A	25	19
866.1.036.1A	35	11	884.5.003.1A	20	17	88713.1515	1.1	5	88765.1126M	1.2	18	930.4.009.1A	4	24
866.1.038.1A	19	15	884.5.003.1A	21	4	88765.0968	1	20	88765.1126N	1.2	7	930.4.024.1A	24	34
872.1.011.1A	24	21	886.4.011.1A	38	8	88765.1000	1	18	88765.1126P	1.2	10	93783.0812	3	30

INDEX

CODE No.	Drwg.	POS. N.	CODE No.	Drwg.	POS. N.	CODE No.	Drwg.	POS. N.	CODE No.	Drwg.	POS. N.	CODE No.	Drwg.	POS. N.
93783.1524	11	11												
93783.2552	10	13												
93784.2030	5	9												
93785.0822	4	23												
93785.1830	10	16												
93823.0128	32	4												
93823.0128	4	32												
93823.2018	4	30												
93823.2037	7	5												
93823.2056	11	23												
93823.2082	5	14												
93823.2131	11	8												
93823.3156	10	34												
93827.0114	10	28												
93827.0114	5	12												
93827.0114	9	22												
94247.0014	10	5												
94247.0014	11	15												
94247.0014	5	26												
98112.0002	1	8												

*Catalogo ricambi SUPERSPORT 900ie U.S.A.
Spare parts catalogue SUPERSPORT 900ie U.S.A.
Catalogue pièces détachées SUPERSPORT 900ie U.S.A.
Ersatzteilkatalog SUPERSPORT 900ie U.S.A.
Catalogo piezas de repuesto SUPERSPORT 900ie U.S.A.*

DUCATISS



<i>DUCATIMOTOR</i>	●	<i>SS 900 i.e.</i>	<i>M.Y. '00</i>	<i>U.S.A.</i>
<i>Spare Sparts Department</i>		<i>P.N. 91510611C</i>	<i>Maggio - May '00</i>	<i>Edizione - Edition 02</i>
<i>DUCATIMOTOR</i>	●	<i>SS 900 i.e.</i>	<i>M.Y. '00</i>	<i>U.S.A.</i>
<i>Spare Sparts Department</i>		<i>P.N. 91510611C</i>	<i>Maggio - May '00</i>	<i>Edizione - Edition 02</i>
<i>DUCATIMOTOR</i>	●	<i>SS 900 i.e.</i>	<i>M.Y. '00</i>	<i>U.S.A.</i>
<i>Spare Sparts Department</i>		<i>P.N. 91510611C</i>	<i>Maggio - May '00</i>	<i>Edizione - Edition 02</i>
<i>DUCATIMOTOR</i>	●	<i>SS 900 i.e.</i>	<i>M.Y. '00</i>	<i>U.S.A.</i>
<i>Spare Sparts Department</i>		<i>P.N. 91510611C</i>	<i>Maggio - May '00</i>	<i>Edizione - Edition 02</i>