

**GENERAL INFORMATION**

The present *spare parts* order exactly the right spare parts.

When ordering specify:

- 1) the part's code number followed by its description;
- 2) the motorcycle's serial number, stamped on the steering head.

Reference to right and left apply to the vehicle in terms of its direction of movement.

**VALIDITY**

- f.m.** Until V.I.N.
- d.m.** From V.I.N.
- f.m.m.** Up to engine number
- d.m.m.** From engine number

- RED motorcycle
- BLACK motorcycle
- ▲ YELLOW motorcycle
- ◆ GREY motorcycle
- ▼ BLEU motorcycle

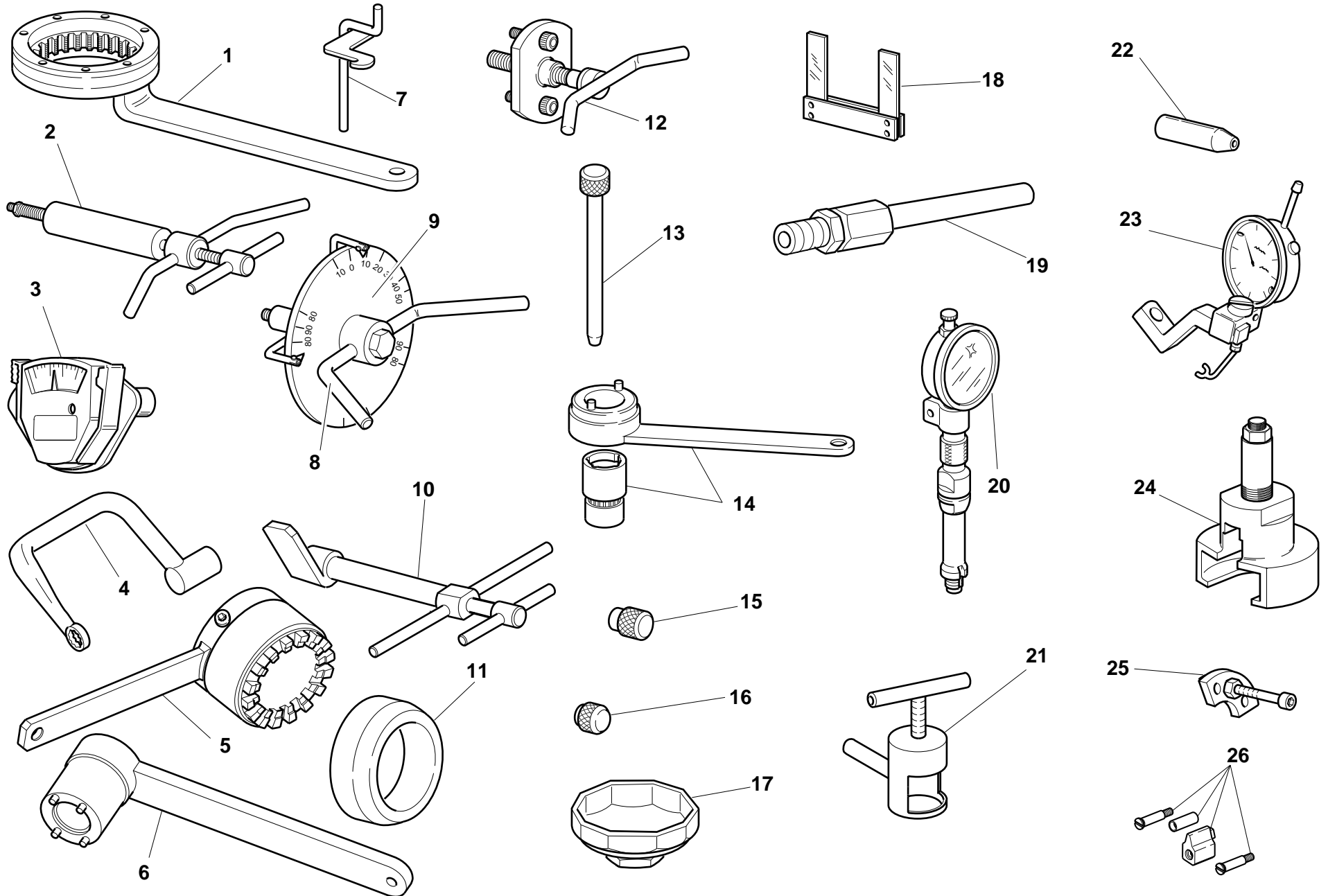
*All data are subject to modification without prior notice.*

**Ducati Motor S.p.A.**  
*Uffici Commerciali Amministrativi:  
Via A. Cavalieri Ducati n. 3  
40132 Bologna, Italy  
Telefono 051 641311  
Fax 051 406580  
Internet [www.ducati.com](http://www.ducati.com)*





page	CONTENTS
4 001	WORKSHOP SPECIAL TOOLS
6 001.1	WORKSHOP SPECIAL TOOLS
8 001.2	DIAGNOSIS TESTER MATHESIS
10 002	GEARCHANGE
12 003	GEAR-BOX
14 004	CLUTCH
16 005	CLUTCH COVER
18 006	CRANKSHAFT
20 007	CYLINDERS - PISTONS
22 008	TIMING
24 009	FILTERS AND OIL PUMP
26 010	HALF CRANKCASES
28 011	ALTERNATOR COVER
30 012	ELECTRIC STARTER AND IGNITION
32 013	HEAD: TIMING
34 014	VERTICAL HEAD
36 015	HORIZONTAL HEAD
38 016	THROTTLE BODY
40 017	EXHAUST SYSTEM
42 018	STANDS
44 019	FRAME
46 020	L.H. FOOT RESTS
48 021	R.H. FOOT RESTS
50 022	HEAD-LIGHT AND ELECTRIC WIRING
52 023	INSTRUMENT PANEL
54 024	HANDLEBAR AND CONTROLS
56 025	FRONT FORK
58 026	CLUTCH CONTROL
60 027	FRONT HYDRAULIC BRAKE
62 028	OIL COOLER
64 029	ELECTRIC SYSTEM
66 030	BATTERY BOX MOUNT
68 031	AIR INDUCTIO AND OIL VENT
70 032	SWINGARM AND CHAIN
72 033	REAR HYDRAULIC BRAKE
74 034	WHEELS
76 035	NUMBER PLATE HOLDER
78 036	SEAT
80 037	FUEL SYSTEM
82 038	FUEL TANK
84 039	HEADLIGHT FAIRING
86 040	FAIRING
90 040.1	HALF FAIRING
92 041	FUEL INFEED
94 042	MARKING PLATES

DRAWING **001** WORKSHOP SPECIAL TOOLS

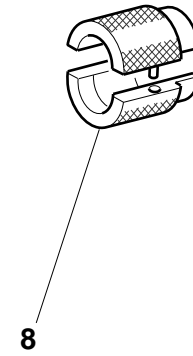
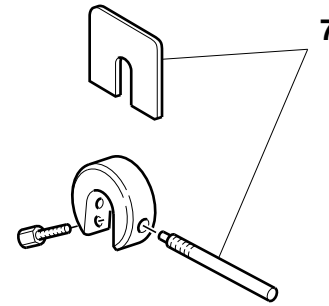
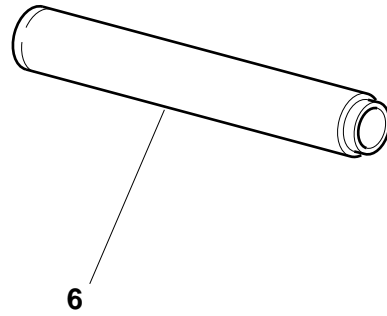
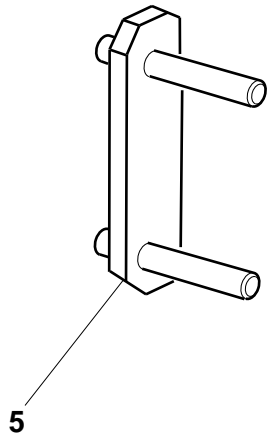
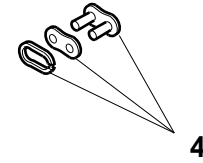
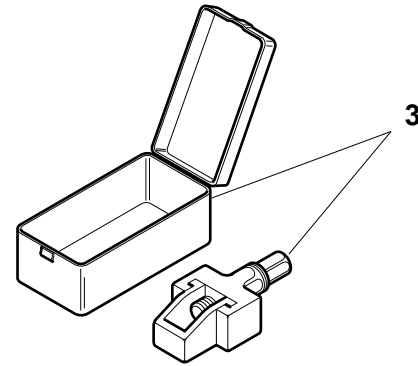
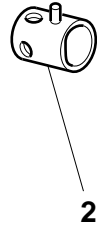
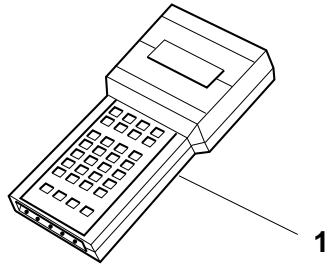


DRAWING **001** WORKSHOP SPECIAL TOOLS


NOTES	NO.	CODE NO.	DESCRIPTION	VALIDITY	Q.TY	
	1	88713.0146	Frame-engine grounding cable		1	
	2	88713.0120	Rocker shaft extractor		1	
	3	051.2.001.1A	Torque wrench for timing belt		1	
	4	88713.1139	Head nuts holder wrench		1	
	5	88713.1419	Alternator holder wrench for tightening nut		1	
	6	88713.0137	Crankshaft gear holder wrench for tightening nut		1	
	7	88713.0143	Tool for assembling closing rocker and spring		1	
	8	98112.0002	Degree wheel		1	
	9	88713.0123	Degree wheel holder tool for ignition advance check		1	
	10	88713.1215	Torque wrench for timing belt		1	
	11	88700.5665	Sleeve for installing clutch bell gear		1	
	12	88713.0144	Extractor for removal of chain/generator cover		1	
	13	88713.0262	Pin for assembling rocker arms		1	
	14	88700.5644	Timing belt rollers holder wrench		1	
	15	0000.44119	Spacer for checking lower valve shim		1	
	16	0000.44120	Spacer for checking lower valve shim		1	
	17	0675.03.210	Wrench for removing oil filter cartridge		1	
	18	88765.1000	Fork feeler gauge 0.1 mm		1	
	18	88765.1005	Fork feeler gauge 0.2 mm		1	
	18	88765.1006	Fork feeler gauge 0.3 mm		1	
	19	88713.1010	Union for exhaust gas suction		1	
	20	88765.0968	T.D.C. control gauge		1	
	21	88713.1332	Extractor bushing bearing inner ring		1	
	22	88700.5749	Crankcases assembling cap		1	
	23	88765.1058	Valve lift gauge		1	
	24	88713.1502	Extractor for primary drive gear		1	

NOTES	NO.	CODE NO.	DESCRIPTION	VALIDITY	Q.TY	
	25	88713.1091	Plate for positioning gear engagement fork		1	
	26	88765.1086	Conversion kit for 4V belts tensioning tool		1	

DRAWING **001.1** WORKSHOP SPECIAL TOOLS

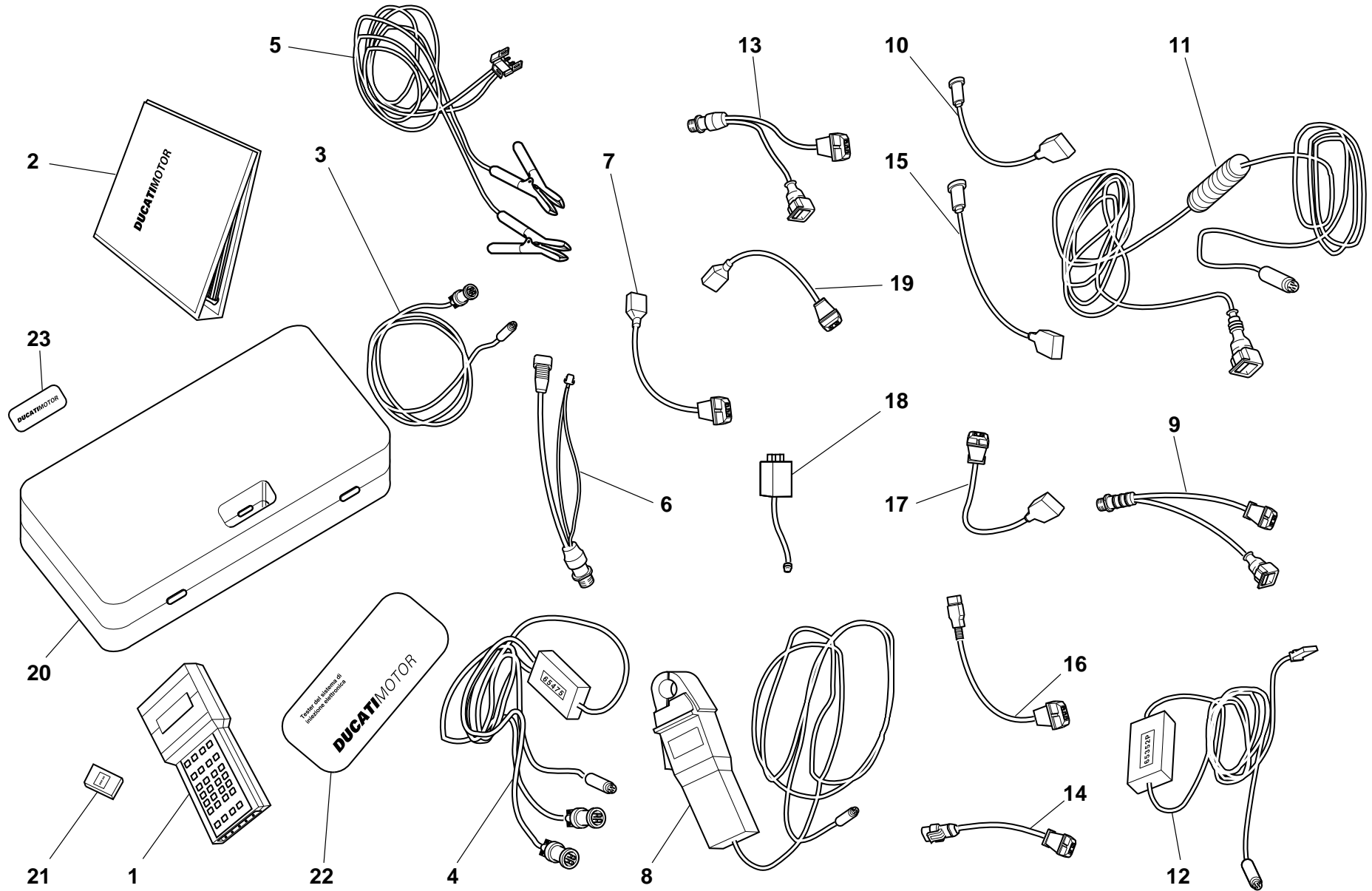


DRAWING **001.1** WORKSHOP SPECIAL TOOLS

NOTES	NO.	CODE NO.	DESCRIPTION	VALIDITY	Q.TY	
I	1	88765.1068	Check instrument		1	
GB	1	88765.1069	Check instrument		1	
D	1	88765.1070	Check instrument		1	
F	1	88765.1071	Check instrument		1	
E	1	88765.1072	Check instrument		1	
	2	0000.70139	Wrench for front wheel spindle		1	
	3	88713.1344	Tool for assembling chain		1	
	4	677.4.002.1A	Coupling		1	
	5	88713.1515	Frame/engine mount		1	
	6	88713.1072	Stopper for driving the half bearing of the steering head base		1	
	7	88713.0957	Tool for holding SHOWA fork spacer		1	
	8	88713.1096	Tool for overhauling SHOWA forks - assembling seal ring		1	


NOTES	NO.	CODE NO.	DESCRIPTION	VALIDITY	Q.TY	
-------	-----	----------	-------------	----------	------	---


DRAWING **001.2** DIAGNOSIS TESTER MATHESIS



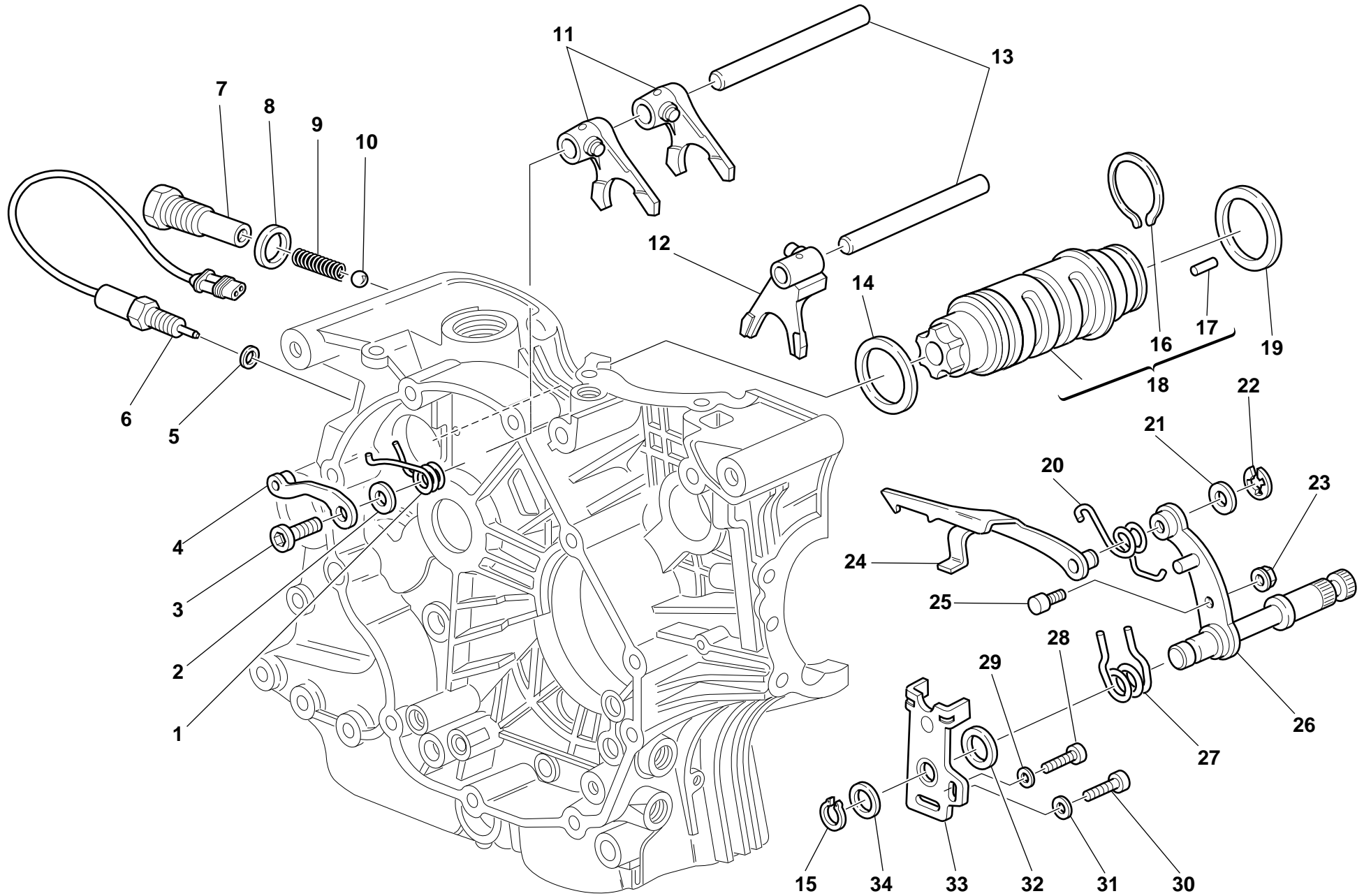


DRAWING **001.2** **DIAGNOSIS TESTER MATHESIS**

NOTES	NO.	CODE NO.	DESCRIPTION	VALIDITY	Q.TY	
	1	88765.1126Z	Bare Mathesis		1	
	2	914.7.023.1A	Italian manual		1	
	2	914.7.023.1B	English manual		1	
	2	914.7.023.1C	German manual		1	
	2	914.7.023.1D	Franch manual		1	
	2	914.7.023.1E	Spanish manual		1	
	3	88765.1126R	Main cable Mathesis		1	
	4	88765.1126A	Pickup Control cable		1	
	5	88765.1126Q	Battery mains cable		1	
	6	88765.1126	Mains cable adapter for self diagnosis		1	
	7	88765.1126N	Sensor for absolute pressure sampling		1	
	8	88765.1126V	Amperometer plier		1	
	9	88765.1126E	Adapter for 3 wires Pickup test cable		1	
	10	88765.1126P	Sensor for air temperature sampling		1	
	11	88765.1126C	Cable for potentiometer adjustment		1	
	12	88765.1126B	Test cable and speed indicator adjustment		1	
	13	88765.1126F	Adapter for 2 wires Pickup test cable		1	
	14	88765.1126D	Adapter for potentiometer adjustment		1	
	15	552.4.028.1A	Sensor for small throttle potentiometer sampling		1	
	16	88765.1126H	Sensor for throttle potentiomer sampling		1	
	17	88765.1126G	Sensor for air/water temperature sampling		1	
	18	88765.1126M	Sfety remote switch		1	
	19	88765.1126L	2 Wires sampling Pickup sensor		1	
	20	88765.1126U	Case with sponge		1	
	21	88765.1073	Italian memory card		1	
	21	88765.1074	English memory card		1	


NOTES	NO.	CODE NO.	DESCRIPTION	VALIDITY	Q.TY	
	21	88765.1075	German memory card		1	
	21	88765.1076	French memory card		1	
	21	88765.1077	Spanish memory card		1	
	22	88765.1126S	DUCATI sticker for case		1	
	23	88765.1126T	DUCATI sticker RH/LH side		1	

DRAWING **002** GEARCHANGE

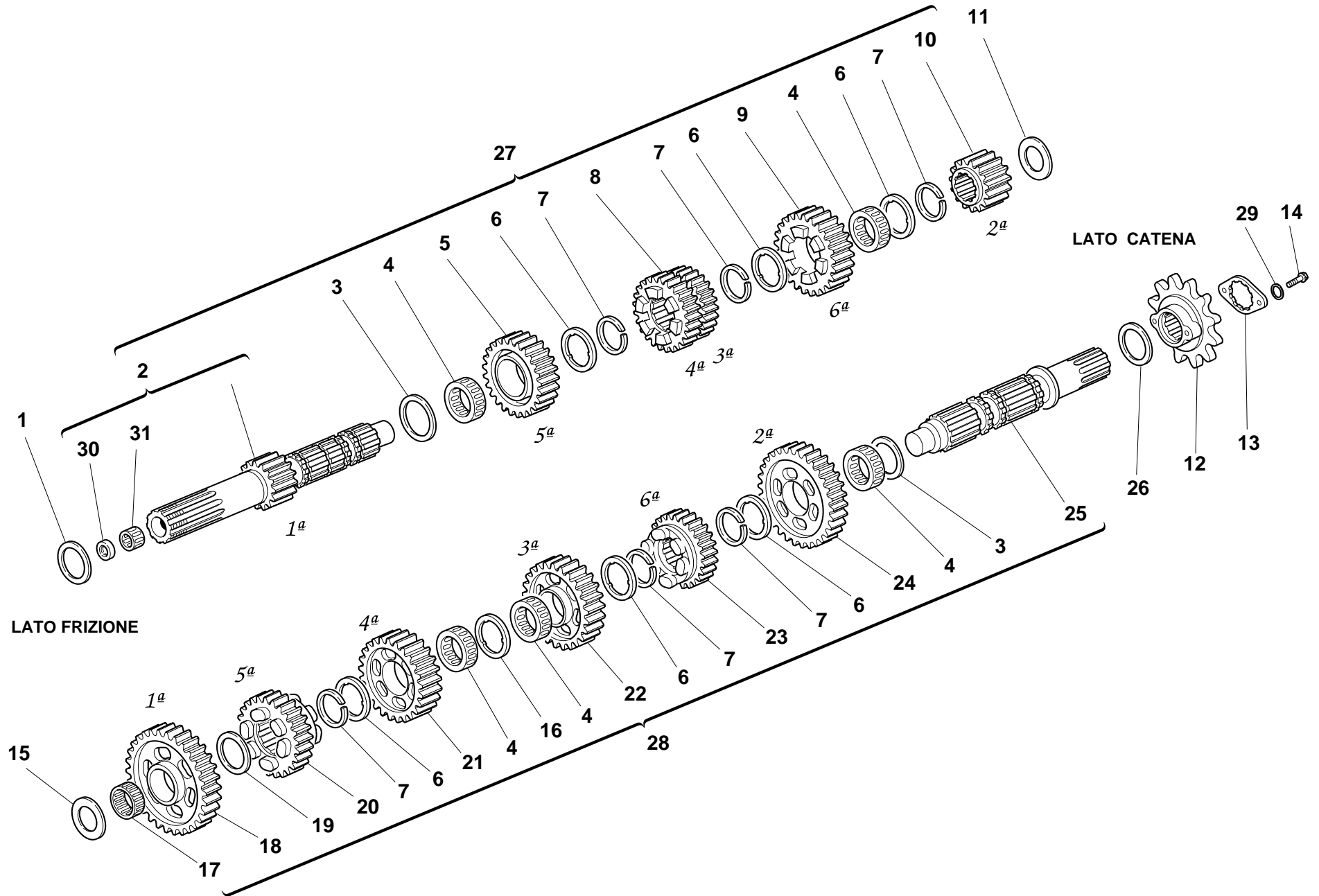


DRAWING **002** GEARCHANGE

NOTES	NO.	CODE NO.	DESCRIPTION	VALIDITY	Q.TY	
	1	799.1.049.1A	Return spring		1	
	2	852.1.053.1A	Washer		1	
	3	779.1.039.1A	Special screw		1	
	4	455.2.003.1A	Gear stopper assembly		1	
	5	0150.92.280	Gasket th.2		1	
	5	0504.03.085	Gasket th.1,5		1	
	5	852.1.111.1A	Gasket th.0.5		1	
	6	539.1.021.1A	Switch		1	
	7	779.1.203.1A	Push rod holder		1	
	8	0272.91.090	Gasket		1	
	9	0660.13.143	Gear selector spring		1	
	10	76835.1134	Ball		1	
	11	180.1.001.1A	1st,4th-2nd,3rd gear selector fork		2	
	12	180.1.002.1A	5th,6th gear selector fork		1	
	13	0660.13.070	Fork pin		2	
	14	852.1.005.1A	Shim th. 1		1	
	15	73500.1542	Circlip		1	
	16	882.1.006.1A	Needle retaining ring (square cross-section)		1	
	17	821.1.070.1A	Special roller (square cross-section)		6	
	18	182.2.010.1A	Complete gearbox drum		1	
	19	0660.13.060	Shim th. 1		1	
	20	799.1.025.1A	Fork return spring		1	
	21	0400.09.050	Shim th. 0.5		1	
	21	0765.92.205	Shim th. 0.2		2	
	22	0214.07.350	Ring		1	
	23	750.5.001.1A	Nut		1	


NOTES	NO.	CODE NO.	DESCRIPTION	VALIDITY	Q.TY	
	24	180.1.008.1A	Gearbox drum control fork		1	
	25	0660.13.165	Gearchange lever pin		1	
	26	821.1.001.1A	Pin with gearchange lever		1	
	27	0799.13.110	Gearchange lever return spring		1	
	28	60N102509	Screw		1	
	29	462.3.003.8A	Washer		1	
	30	771.5.122.2B	Screw		1	
	31	462.3.003.7A	Washer		1	
	32	881.1.012.1A	Centering ring		1	
	33	826.1.009.1A	Stopper plate		1	
	34	0400.29.125	Shim th. 0.2		2	
	34	0400.29.126	Shim th. 0.5		1	

DRAWING 003 GEAR-BOX

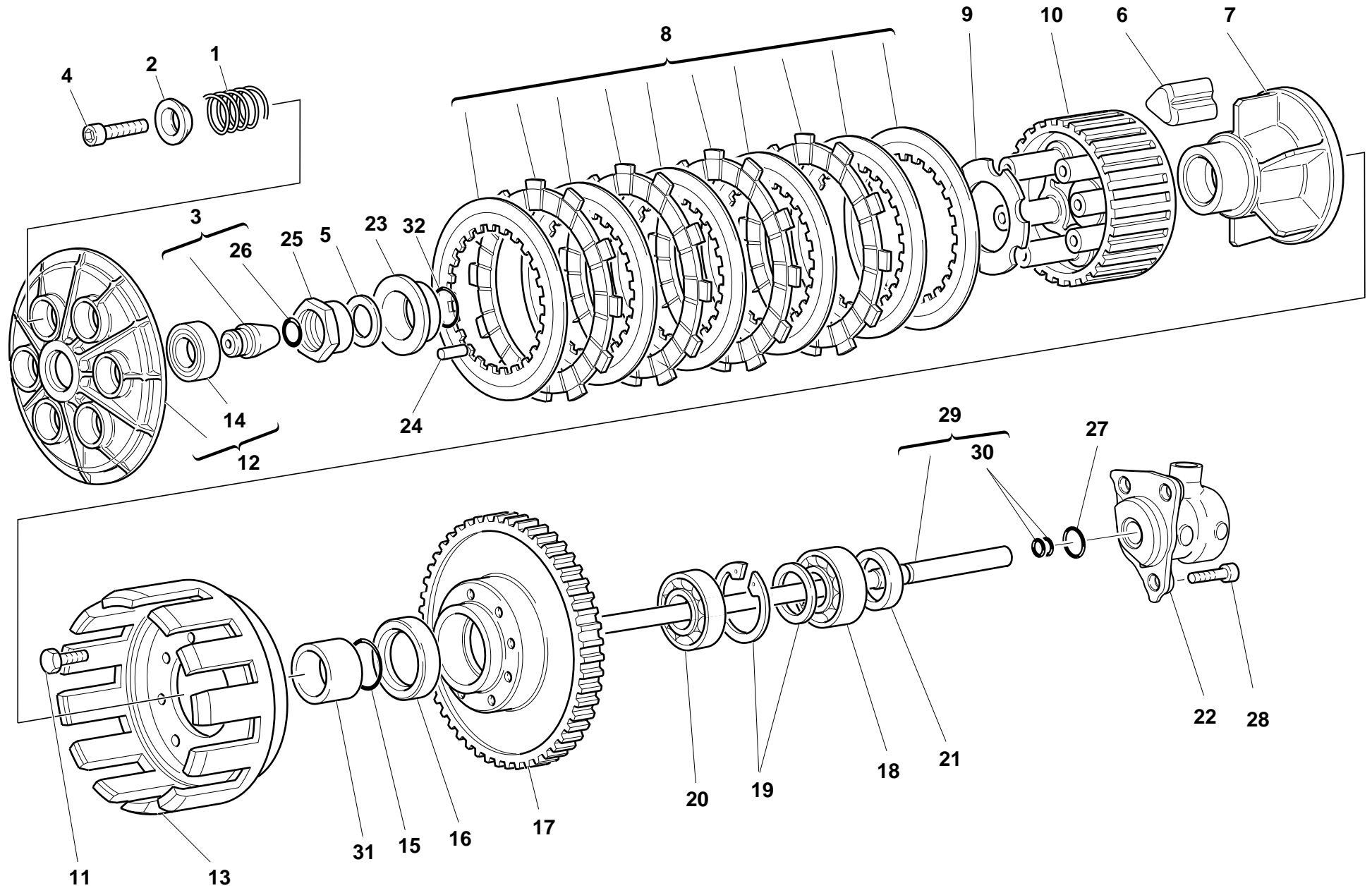


DRAWING **003** GEAR-BOX

NOTES	NO.	CODE NO.	DESCRIPTION	VALIDITY	Q.TY	
	1	0251.47.050	Shim th. 1		1	
	1	0251.47.054	Shim th. 1.2		1	
	1	852.1.108.1AH	Shim th. 0.9		1	
	1	852.1.108.1AL	Shim th. 1,1		1	
	1	852.1.108.1AN	Shim th. 1,3		1	
	2	150.2.006.1A	Gearbox main shaft		1	
	3	0670.16.150	Shim th. 0.5		2	
	4	701.4.005.1A	Needle bearing		5	
	5	172.1.004.1A	Driving gear 5th sp.		1	
	6	856.1.001.1A	Grooved washer th. 0.5		6	
	7	0670.16.145	Snap ring		6	
	8	172.1.003.1A	Driving gear 3rd/4th sp.		1	
	9	172.1.005.1A	Driving gear 6th sp.		1	
	10	172.1.002.1B	Driving gear 2nd sp.		1	
	11	0670.16.163	Shim th. 1.8		1	
	11	0670.16.164	Shim th. 2		1	
	11	713.1.014.1A	Shim th. 1.5		1	
	11	713.1.014.1B	Shim th. 1.7		1	
	11	713.1.014.1E	Shim th. 1.6		1	
	11	713.1.014.1F	Shim th. 1.9		1	
	12	449.1.003.3A	Chain sprocket Z=15		1	
	13	826.1.011.1A	Sprocket keep plate		1	
	14	771.5.040.0C	Screw		2	
	15	0670.16.164	Shim th. 2		1	
	15	0670.16.165	Shim th. 2.2		1	
	15	0670.16.184	Shim th. 1		1	


NOTES	NO.	CODE NO.	DESCRIPTION	VALIDITY	Q.TY	
	15	0670.16.185	Shim th. 1.2		1	
	15	713.1.011.1A	Shim th. 2.3		1	
	15	713.1.014.1A	Shim th. 1.5		1	
	15	713.1.014.1E	Shim th. 1.6		1	
	16	856.1.031.1A	Grooved washer th. 0.5		1	
	17	76402.0002	Needle bearing		1	
	18	172.1.006.1B	Driven gear 1st sp.		1	
	19	0670.16.155	Shim th. 1		1	
	20	172.1.010.1A	Driven gear 5th sp.		1	
	21	172.1.009.1A	Driven gear 4th sp.		1	
	22	172.1.008.1A	Driven gear 3rd sp.		1	
	23	172.1.011.1A	Driven gear 6th sp.		1	
	24	172.1.007.1B	Driven gear 2nd sp.		1	
	25	149.1.003.1A	Gearbox lay shaft		1	
	26	0670.16.170	Shim th. 0.8		1	
	26	0670.16.171	Shim th. 1		1	
	26	852.1.105.1AB	Shim th. 0.9		1	
	26	852.1.105.1AD	Shim th. 1,1		1	
	26	852.1.105.1AG	Shim th. 0.7		1	
	27	150.2.005.1A	Complete main shaft		1	
	28	150.2.003.1A	Complete lay shaft		1	
	29	734005N01	Spring washer		2	
	30	93783.0812	Seal ring		1	
	31	76270.0827	Needle bearing		1	

DRAWING **004** CLUTCH

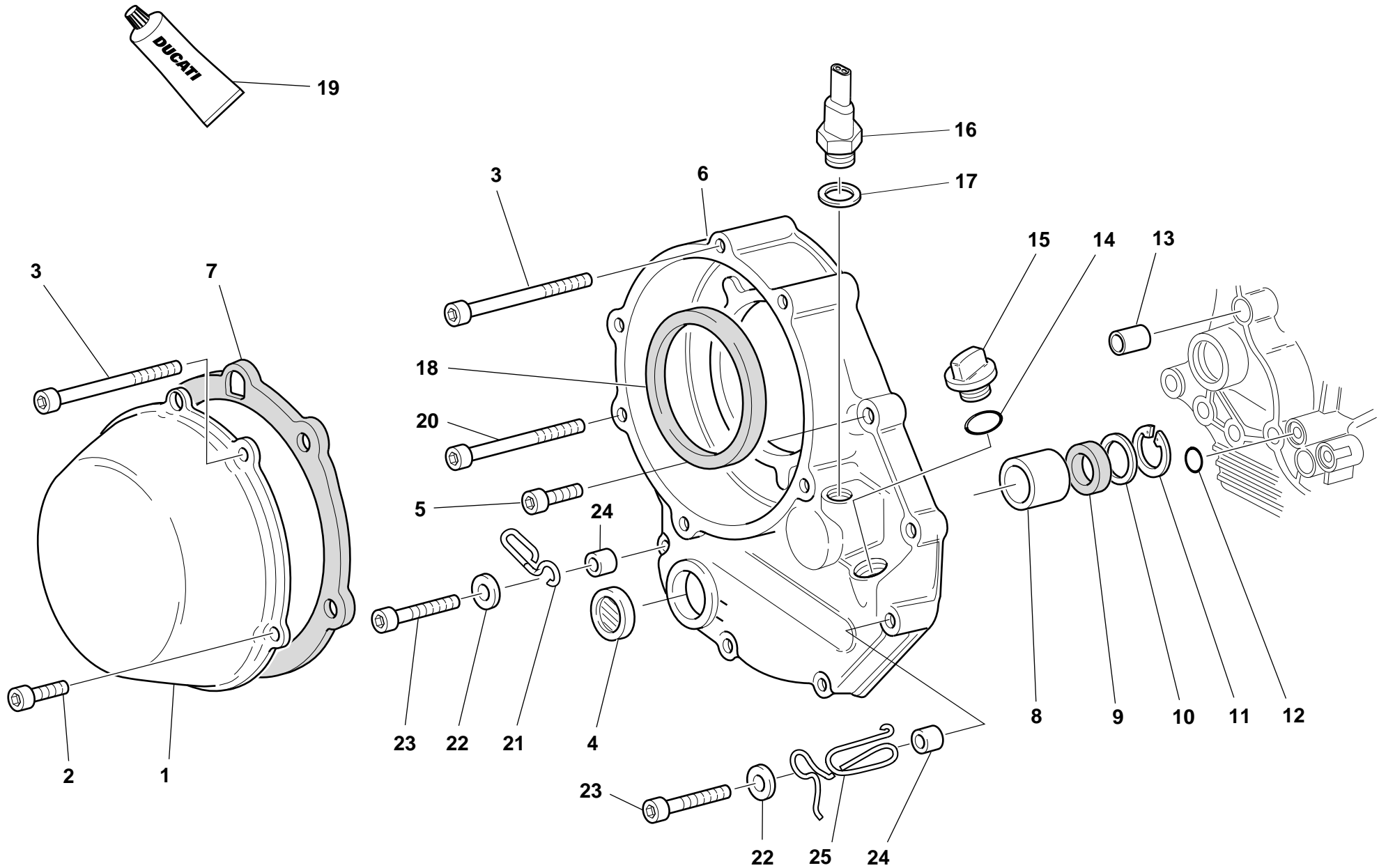


DRAWING **004** **CLUTCH**

NOTES	NO.	CODE NO.	DESCRIPTION	VALIDITY	Q.TY	
	1	0659.16.558	Clutch spring		6	
	2	841.1.002.2A	Retainer		6	
	3	818.2.009.1A	Clutch control pin		1	
	4	771.5.043.2B	Screw		6	
	5	851.4.001.1A	Lock washer		1	
	6	764.1.003.1B	Rubber pad		12	
	7	162.1.001.1B	Plate holder hub		1	
	8	190.2.001.3A	Clutch plates set		1	
	9	851.1.001.1B	Lock washer		1	
	10	196.1.001.1B	Clutch drum		1	
	11	70610.8120	Screw		8	
	12	194.2.001.1B	Pressure plate		1	
	13	198.1.027.1A	Clutch housing		1	
	14	702.5.016.1A	Bearing		1	
	15	463.2.053.7A	O-ring		1	
	16	463.4.026.9A	Seal ring		1	
	17	170.2.020.1B	Clutch/crankshaft gears pair		1	
	18	75113.2566	Bearing		1	
	19	881.2.001.1A	Circlip - spacer		1	
	20	463.7.022.6A	Bearing		1	
	21	0660.16.145	Spacer		1	
	22	195.4.003.1A	Piston assembly		1	
	23	710.1.002.1A	Bush		1	
	24	74224.0570	Pin		1	
	25	750.1.002.1B	Nut		1	
	26	0400.17.030	O-ring		1	

NOTES	NO.	CODE NO.	DESCRIPTION	VALIDITY	Q.TY	
	27	0647.92.170	O-ring		1	
	28	60N107335	Screw		3	
	29	117.2.006.1A	Clutch control rod		1	
	30	93823.2018	O-ring		2	
	31	713.1.012.1B	Spacer		1	
	32	93823.0128	O-ring		1	

DRAWING **005** CLUTCH COVER



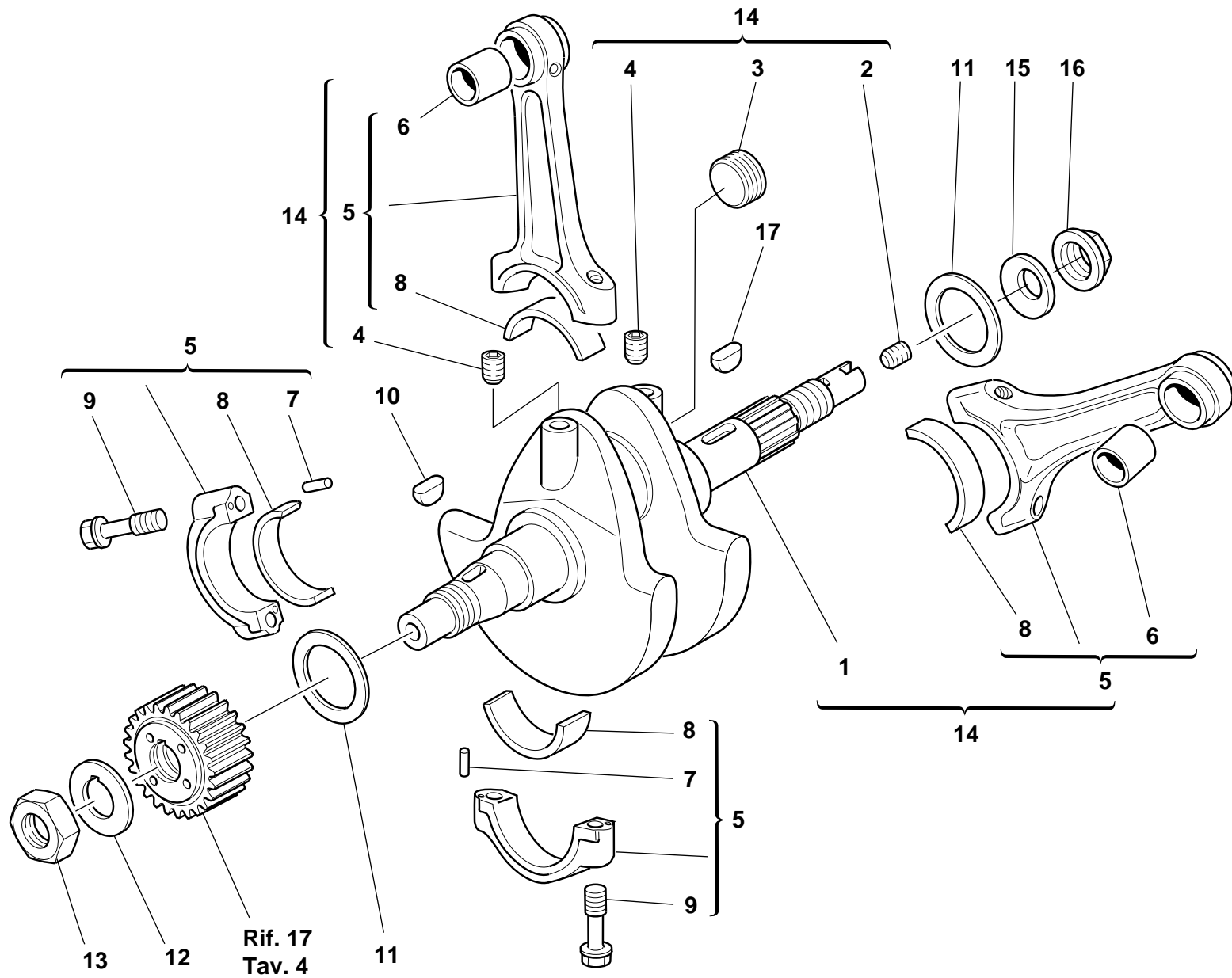


DRAWING **005** **CLUTCH COVER**


NOTES	NO.	CODE NO.	DESCRIPTION	VALIDITY	Q.TY	
	1	243.1.025.1AD	Clutch protection cover		1	
	2	60N102509	Screw		2	
	3	417.6.075.9A	Screw		3	
	4	254.4.001.1A	Oil level inspection cap		1	
	5	60N102510	Screw		4	
	6	243.2.004.1BB	Cover clutch side		1	
	7	788.1.052.1A	Cover gasket		1	
	8	0665.49.680	Bush		1	
	9	93784.2030	Seal ring		1	
	10	852.1.008.1A	Shim th. 0.5		1	
	11	73503.3075	Circlip		1	
	12	93827.0114	O-ring		1	
	13	0400.49.240	Locating bush		1	
	14	93823.2082	O-ring		1	
	15	893.1.005.1A	Cap		1	
	16	539.4.030.1A	Switch		1	
	17	0150.70.120	Gasket th.2		1	
	18	463.4.047.7A	Ring		1	
	19	94247.0014	Fluid sealant		1	
	20	771.5.078.2B	Screw		1	
	21	829.1.073.3A	Holder		1	
	22	734306N01	Washer		2	
	23	771.5.072.2B	Screw		2	
	24	0675.49.540	Spacer		2	
	25	881.1.030.1A	Holder		1	


NOTES	NO.	CODE NO.	DESCRIPTION	VALIDITY	Q.TY	
-------	-----	----------	-------------	----------	------	---

DRAWING **006** CRANKSHAFT

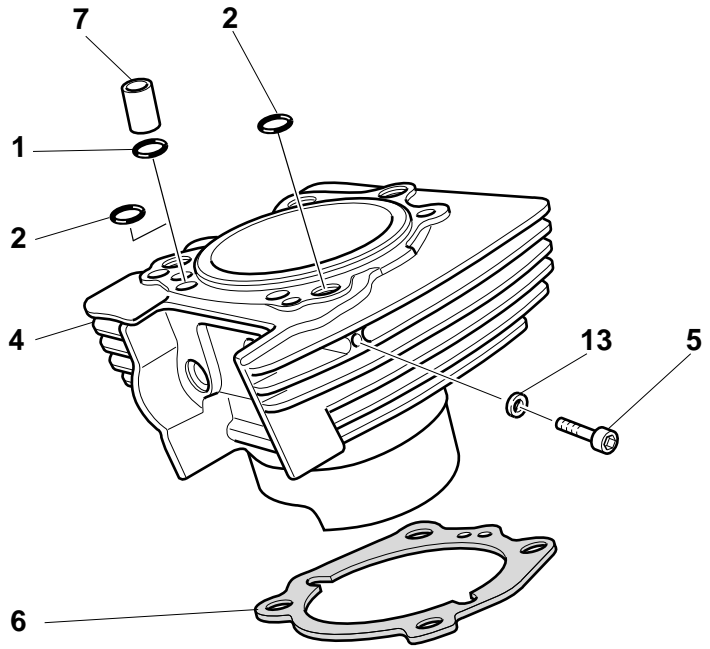


DRAWING **006** **CRANKSHAFT**

NOTES	NO.	CODE NO.	DESCRIPTION	VALIDITY	Q.TY	
	1	146.2.061.1A	Crankshaft (items 2-3-4 included)		1	
	2	779.1.109.1A	Special screw		1	
	3	780.1.016.1A	Cap		1	
	4	72121.2106	Threaded dowel		2	
	5	158.2.002.2A	Connecting rods pair (6-7-8 included)		1	
	6	711.1.007.1A	Bush		2	
	7	74224.0570	Pin		4	
	8	112.1.001.1A	Standard half-bearing		4	
	8	112.1.001.1AB	Undersize half-bearing 0.25		4	
	8	112.1.001.1AC	Undersize half-bearing 0.50		4	
	9	779.1.007.2A	Special screw		4	
	10	74172.1008	Woodruff key		1	
	11	852.1.104.1A	Shim th. 1.9		1	
	11	852.1.104.1B	Shim th. 1.95		1	
	11	852.1.104.1C	Shim th. 2		1	
	11	852.1.104.1D	Shim th. 2,05		2	
	11	852.1.104.1E	Shim th. 2,1		1	
	11	852.1.104.1F	Shim th. 2,15		1	
	11	852.1.104.1G	Shim th. 2.2		1	
	11	852.1.104.1H	Shim th. 2.25		1	
	11	852.1.104.1I	Shim th. 2.3		1	
	11	852.1.104.1J	Shim th. 2.35		1	
	11	852.1.104.1K	Shim th. 2,4		1	
	11	852.1.104.1L	Shim th. 2,45		1	
	11	852.1.104.1M	Shim th. 2.5		1	
	11	852.1.104.1N	Shim th. 2.55		1	

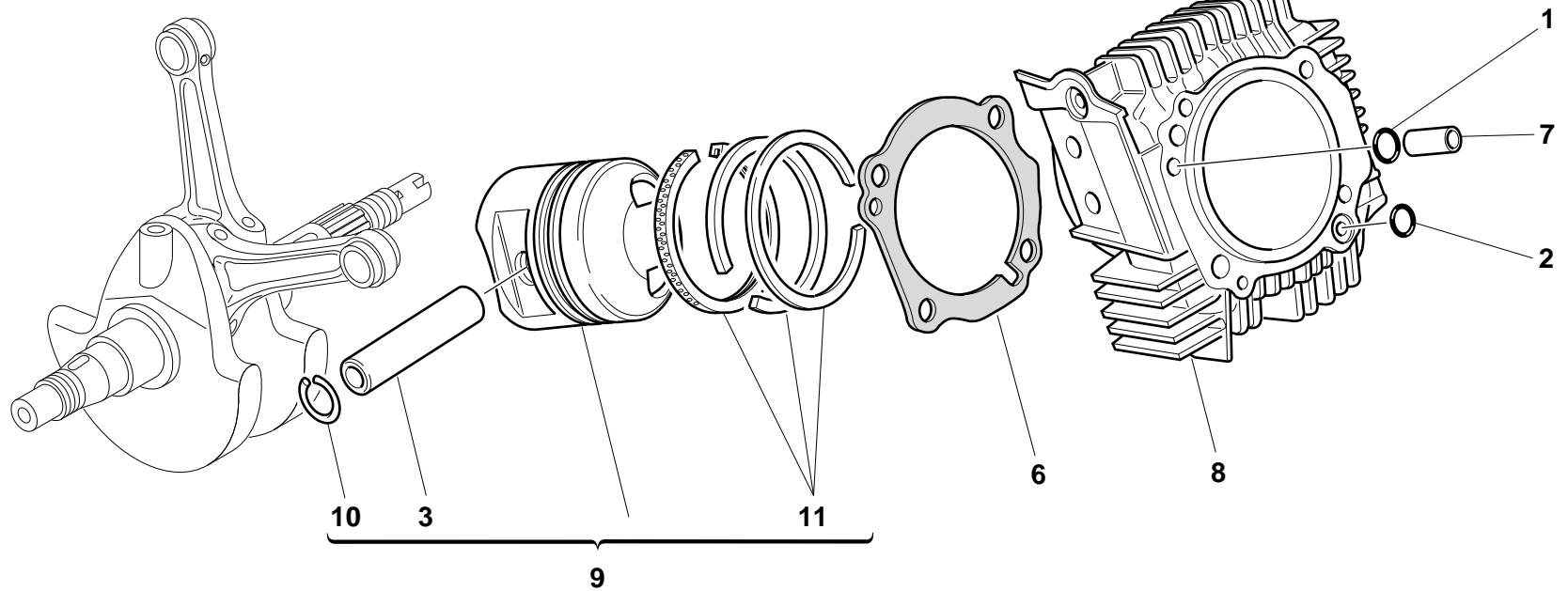
NOTES	NO.	CODE NO.	DESCRIPTION	VALIDITY	Q.TY	
	12	0619.47.030	Lock washer		1	
	13	0660.47.040	Nut		1	
	14	145.2.034.1A	Complete connecting rods assembly		1	
	15	799.1.051.2A	Spring washer		1	
	16	750.1.012.2A	Nut		1	
	17	0755.29.025	Woodruff key		1	

DRAWING **007** CYLINDERS - PISTONS




12

<i>DUCATI</i>	
GENUINE PARTS	
Part - code N.	
Quantity N.	
Made in Italy	

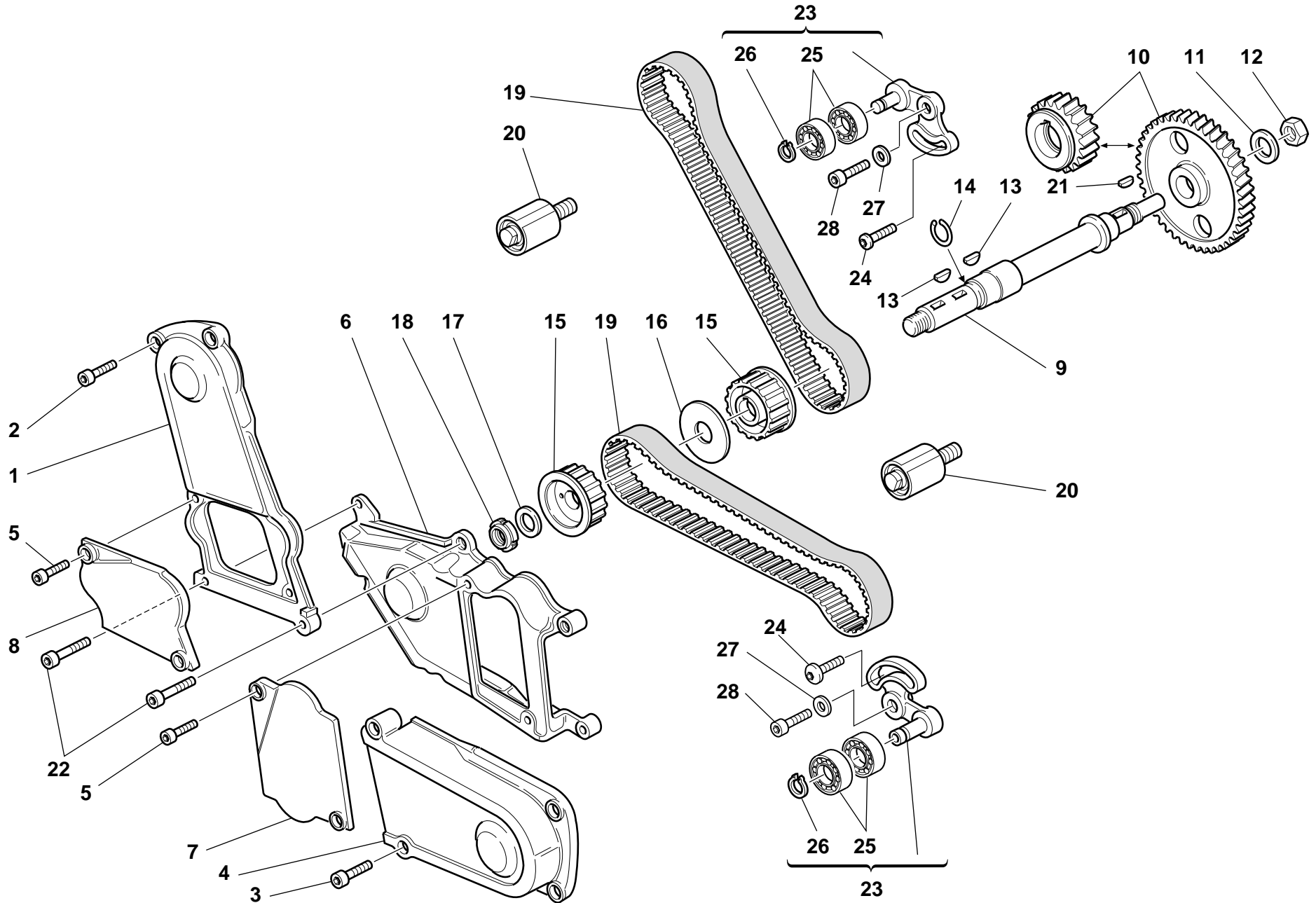


DRAWING **007** CYLINDERS - PISTONS

NOTES	NO.	CODE NO.	DESCRIPTION	VALIDITY	Q.TY	
	1	0400.17.030	O-ring		2	
	2	463.2.019.6A	O-ring		3	
	3	121.1.040.1A	Piston pin		2	
	4	120.2.051.2A	Vertical cylinder-piston fit		1	
	5	70700.6208	Screw		2	
	6	786.1.060.1A	Cylinder-crankcase gasket th. 0.4		2	
	7	0805.17.125	Bush		2	
	8	120.2.052.2A	Horizontal cylinder-piston fit		1	
	9	122.2.050.1B	Complete piston		2	
	10	884.4.011.1A	Piston pin circlip		4	
	11	121.2.029.1B	Piston rings set		2	
	12	791.2.003.1A	Head-cylinder gaskets set		1	
	13	420.2.000.7A	Copper gasket		2	


NOTES	NO.	CODE NO.	DESCRIPTION	VALIDITY	Q.TY	
-------	-----	----------	-------------	----------	------	---

DRAWING **008** TIMING

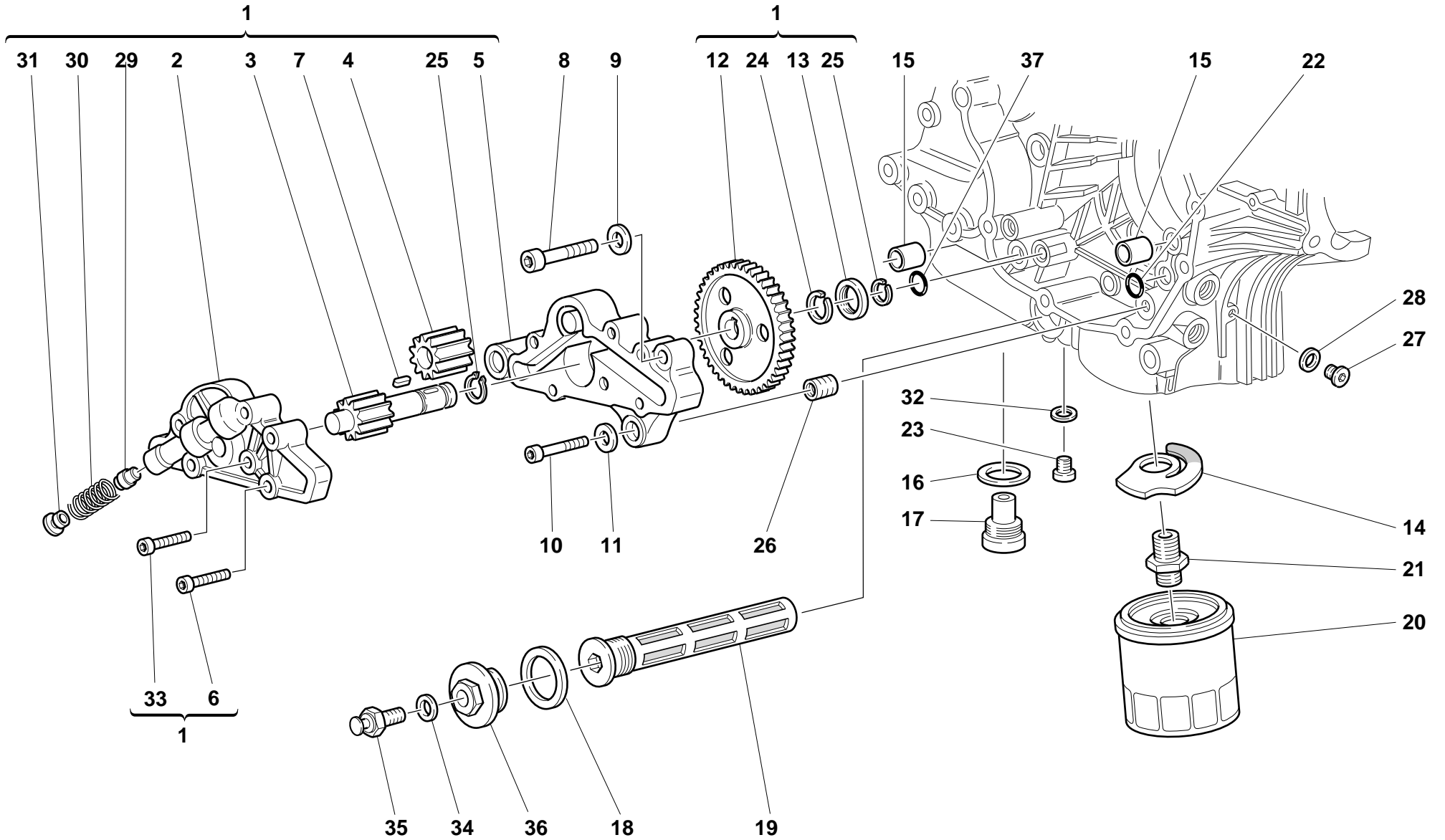


DRAWING **008** **TIMING**

NOTES	NO.	CODE NO.	DESCRIPTION	VALIDITY	Q.TY	
	1	245.1.007.1AC	Vertical timing belt cover (GREY)		1	
	2	60N102505	Screw		4	
	3	60N102509	Screw		2	
	4	245.1.008.1AC	Horizontal timing belt cover (GREY)		1	
	5	771.5.040.2BB	Screw		4	
	6	245.1.006.1AC	Central cover timing side		1	
	7	245.1.010.1AC	Horizontal tensioner roller cover		1	
	8	245.1.009.1AC	Vertical tensioner roller cover		1	
	9	147.1.015.1A	Lay shaft		1	
	10	171.2.020.2B	Timing gears pair		1	
	11	0400.29.040	Lock washer		1	
	12	0124.40.060	Hexagon nut		1	
	13	74172.1008	Woodruff key		2	
	14	882.1.003.1A	Snap ring		1	
	15	255.1.001.1B	Timing belt roller		2	
	16	856.1.002.1A	Belt roller separating washer		1	
	17	0797.69.040	Washer		1	
	18	72944.1542	Elastic-stop ring nut		1	
	19	737.4.002.3A	Timing drive toothed belt		2	
	20	451.1.025.1A	Fixed tensioner assembly		2	
	21	0755.29.025	Woodruff key		2	
	22	771.5.069.2BB	Screw		2	
	23	451.2.006.1A	Complete vertical cylinder tensioner roller		2	
	24	772.1.010.2A	Screw		2	
	25	75166.1238	Bearing		4	
	26	0214.07.350	Ring		2	

NOTES	NO.	CODE NO.	DESCRIPTION	VALIDITY	Q.TY	
	27	462.3.003.7A	Washer		2	
	28	771.5.122.2B	Screw		2	


DRAWING **009** FILTERS AND OIL PUMP



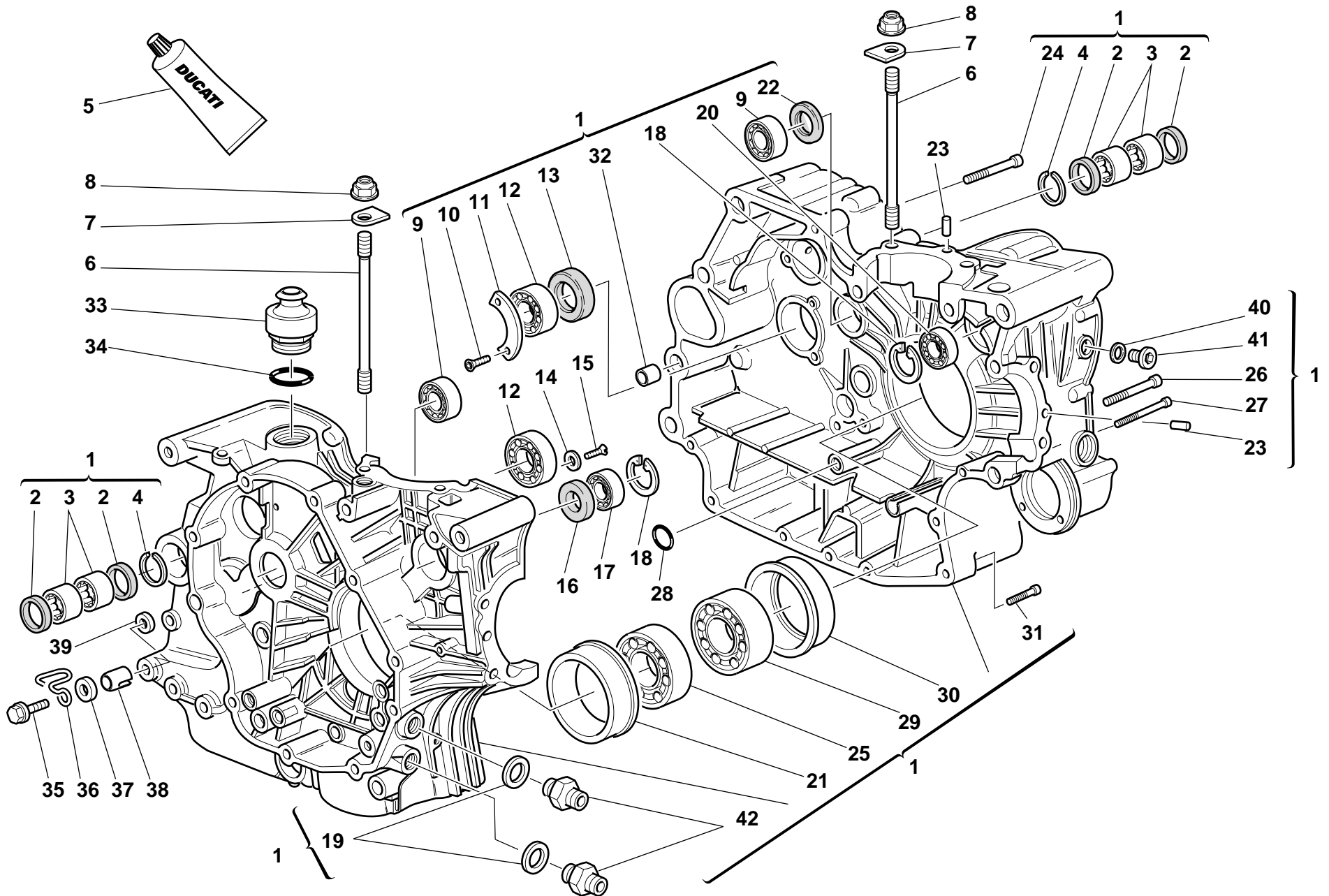


DRAWING **009** FILTERS AND OIL PUMP

NOTES	NO.	CODE NO.	DESCRIPTION	VALIDITY	Q.TY	
	1	174.2.025.3A	Complete oil pump		1	
	2	247.1.104.1A	Pump cover		1	
	3	174.1.002.1A	Pump driving gear		1	
	4	0660.70.065	Pump driven gear		1	
	5	250.2.030.3A	Pump body		1	
	6	779.5.020.1A	Screw		3	
	7	680.1.001.1B	Woodruff key		1	
	8	771.5.129.2B	Screw		2	
	9	462.4.037.8A	Spring washer		2	
	10	60N102510	Screw		1	
	11	462.4.037.6A	Spring washer		1	
	12	174.1.025.1A	Pump drive gear		1	
	13	710.1.001.1A	Bush		1	
	14	799.2.077.2A	Bypass spring		1	
	15	0759.49.280	Locating bush		2	
	16	220.3.208.3A	Gasket		1	
	17	0660.49.053	Oil drain plug with magnet		1	
	18	852.5.005.1A	Gasket		1	
	19	894.2.009.1A	Oil filter		1	
	20	0905.49.960	Oil filter cartridge		1	
	21	0670.49.910	Nipple		1	
	22	93827.0114	O-ring		1	
	23	779.1.198.1A	Cap		1	
	24	76267.0012	Snap ring		1	
	25	73500.1237	Circlip		2	
	26	0670.49.310	Reduction bush		1	


NOTES	NO.	CODE NO.	DESCRIPTION	VALIDITY	Q.TY	
	27	779.1.162.1A	Cap		1	
	28	0150.70.120	Gasket th.2		1	
	29	593.1.018.1A	Bypass valve		1	
	30	799.1.055.1A	Bypass spring		1	
	31	780.1.018.1A	Bypass cap		1	
	32	852.1.120.1A	Aluminium gasket		1	
	33	779.5.019.1A	Screw		3	
	34	420.2.001.0A	Gasket th.1		1	
	35	552.4.004.2A	Thermistor		1	
	36	873.1.039.1A	Cap		1	
	37	886.4.037.1A	O-ring		1	

DRAWING **010** HALF CRANKCASES

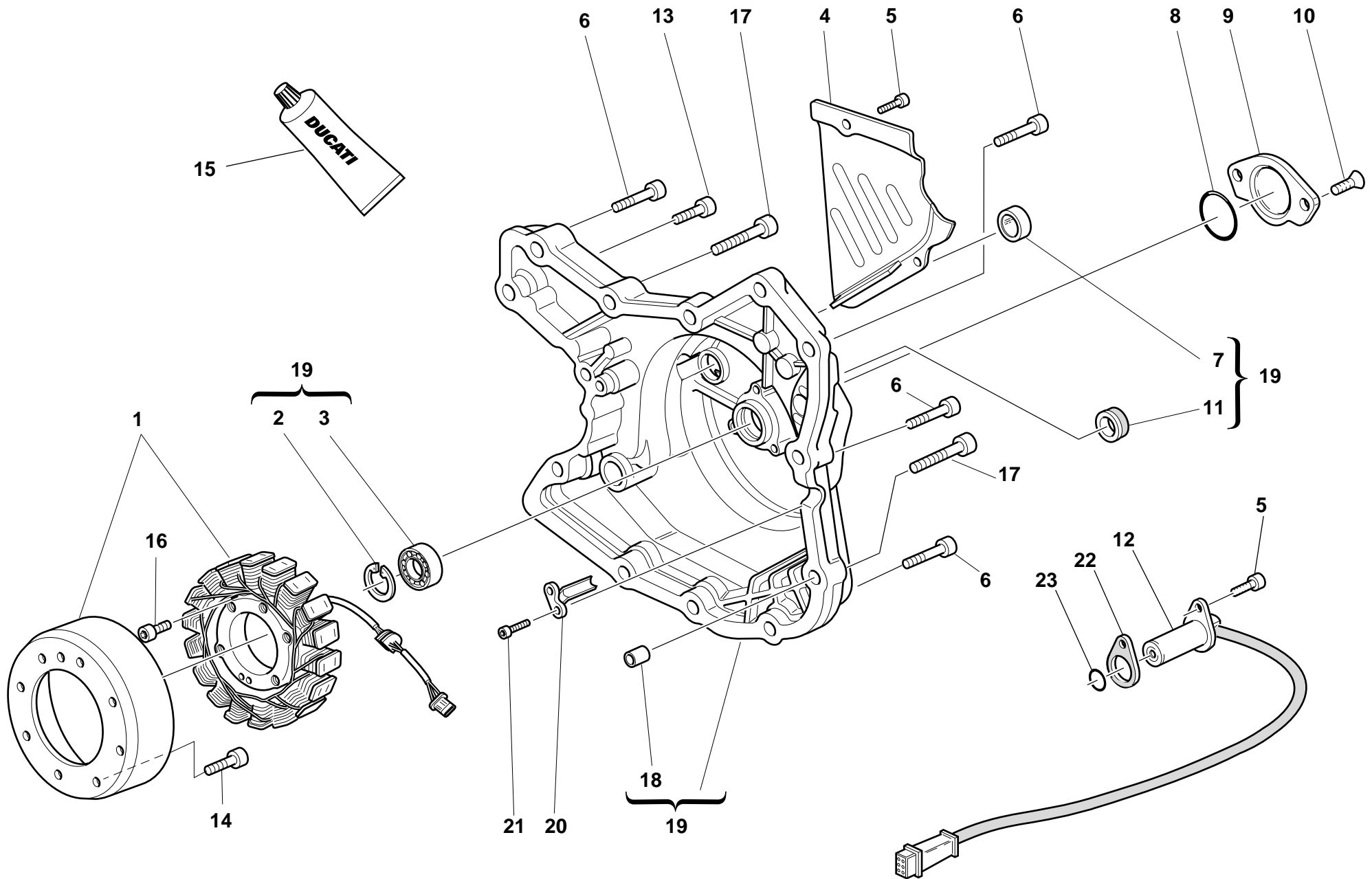


DRAWING **010** HALF CRANKCASES


NOTES	NO.	CODE NO.	DESCRIPTION	VALIDITY	Q.TY	
	1	225.2.041.1A	Complete half-crankcases pair		1	
	2	0755.49.265	Seal ring		4	
	3	76400.0004	Needle bearing		4	
	4	76266.2668	Snap ring		2	
	5	94247.0014	Fluid sealant		1	
	6	0377.49.270	Stud bolt for fastening head cylinder		8	
	7	856.1.025.1A	Special washer		8	
	8	0670.92.010	Nut		8	
	9	75791.1747	Bearing		2	
	10	72094.1616	Screw		2	
	11	0367.49.275	Keep plate		1	
	12	702.5.019.1A	Bearing		2	
	13	0660.49.268	Seal ring		1	
	14	713.1.140.1A	Spacer		2	
	15	60N101079	Screw		2	
	16	93785.1830	Seal ring		1	
	17	75794.1542	Bearing		1	
	18	73503.3380	Circlip		1	
	19	420.2.006.4A	Aluminium gasket		2	
	20	702.5.008.1A	Bearing		1	
	21	710.1.069.1A	Bearing holder bush		1	
	22	463.4.001.1A	Seal ring		1	
	23	0011.52.010	Locating dowel		2	
	24	771.5.136.2B	Screw		6	
	25	75143.3380	Bearing		1	
	26	417.6.082.9A	Screw		1	

NOTES	NO.	CODE NO.	DESCRIPTION	VALIDITY	Q.TY	
	27	771.5.080.2B	Screw		1	
	28	93827.0114	O-ring		1	
	29	75191.3380	Bearing		1	
	30	710.1.070.1A	Bearing holder bush		1	
	31	771.5.072.2B	Screw		5	
	32	711.1.095.1A	Bush		2	
	33	593.1.003.1A	Breather valve		1	
	34	93823.3156	O-ring		1	
	35	8000.62729	Screw		1	
	36	829.1.124.2A	Ring		1	
	37	734306N01	Washer		1	
	38	710.1.032.1A	Bush		1	
	39	711.1.072.1A	Bush		1	
	40	420.2.006.2A	Aluminium gasket		1	
	41	779.1.026.1A	Screw		1	
	42	815.1.022.1A	Nipple		2	

DRAWING **011** ALTERNATOR COVER

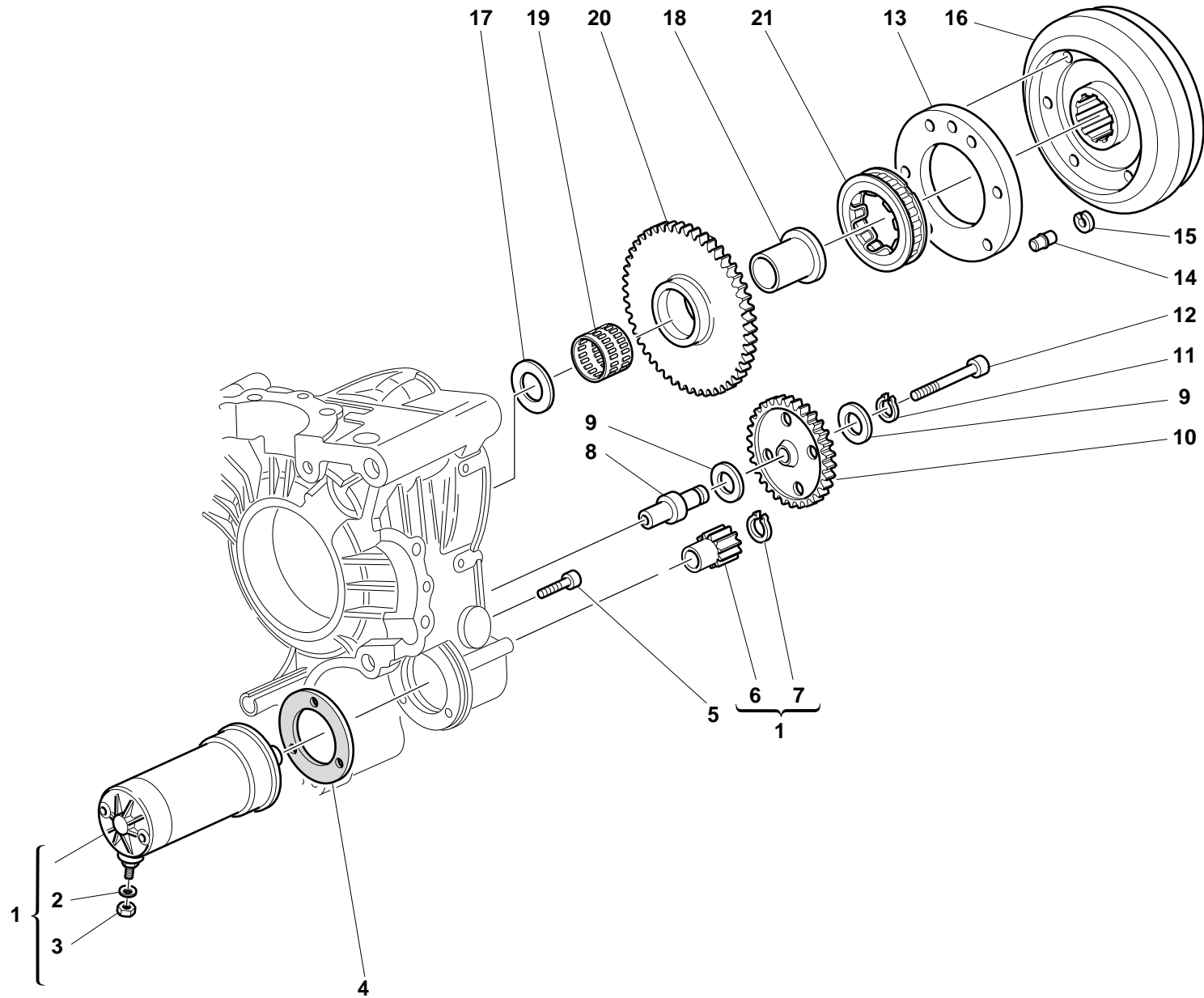


DRAWING **011** ALTERNATOR COVER


NOTES	NO.	CODE NO.	DESCRIPTION	VALIDITY	Q.TY	
	1	264.4.014.2B	Generator		1	
	2	73503.3380	Circlip		1	
	3	702.5.008.1A	Bearing		1	
	4	247.1.083.1AE	Chain cover		1	
	5	771.5.064.2B	Screw		3	
	6	60N102510	Screw		9	
	7	254.1.001.1A	Ignition inspection cap		1	
	8	886.4.035.1A	O-ring		1	
	9	247.1.002.1BC	Cover		1	
	10	777.5.049.2CB	Screw		2	
	11	93783.1524	Seal ring		1	
	12	552.4.020.1A	Sensor		1	
	13	60N102509	Screw		1	
	14	771.4.006.1A	Screw		8	
	15	94247.0014	Fluid sealant		1	
	16	771.5.073.2B	Screw		3	
	17	60N102511	Screw		2	
	18	0400.49.240	Locating bush		2	
	19	242.2.045.1A	Generator cover		1	
	20	830.1.144.1A	Bracket		1	
	21	771.5.040.2B	Screw		2	
	22	788.1.066.1AA	Gasket th.0,6		2	
	22	788.1.066.1AB	Gasket th.0,8		1	
	22	788.1.066.1AC	Gasket th.1,0		1	
	23	886.4.003.1A	O-ring		1	

NOTES	NO.	CODE NO.	DESCRIPTION	VALIDITY	Q.TY	
-------	-----	----------	-------------	----------	------	---

DRAWING **012** ELECTRIC STARTER AND IGNITION

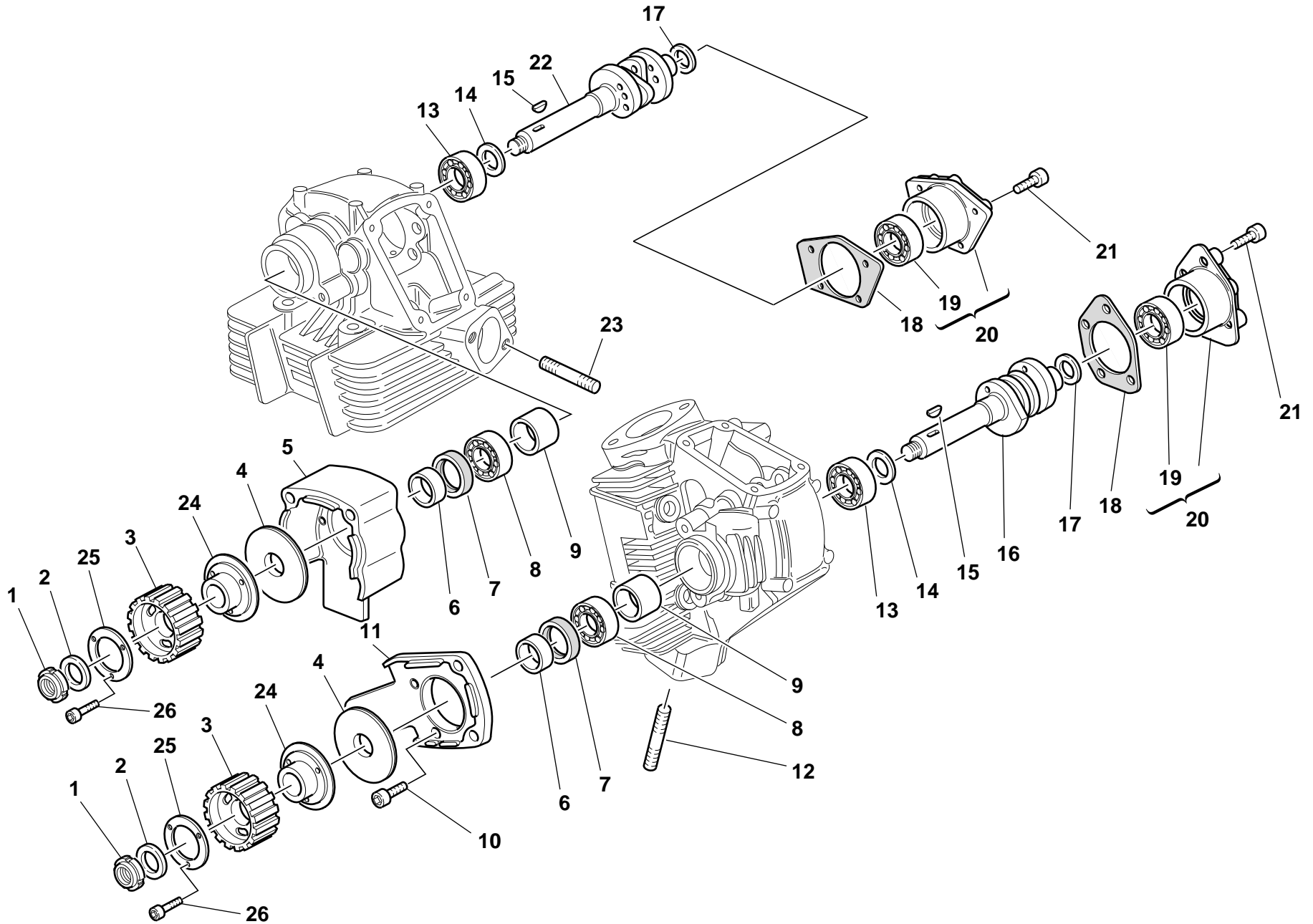


DRAWING **012** **ELECTRIC STARTER AND IGNITION**

NOTES	NO.	CODE NO.	DESCRIPTION	VALIDITY	Q.TY	
	1	270.4.001.1A	Complete starter motor (8-9 included)		1	
	2	734006N01	Spring washer		1	
	3	417.9.050.6A	Nut		1	
	4	788.1.054.1A	Starter motor gasket		1	
	5	60N102510	Screw		3	
	6	176.1.001.1A	Starter motor sprocket		1	
	7	73500.1237	Circlip		1	
	8	0660.50.020	Intermediate gear pin		1	
	9	0124.40.050	Washer		2	
	10	176.1.009.1A	Intermediate gear assembly		1	
	11	73500.1440	Circlip		1	
	12	771.5.078.2B	Screw		1	
	13	160.1.057.1A	Flange		1	
	14	863.1.002.1A	Locating pin		1	
	15	0647.29.040	Check ring		1	
	16	276.1.028.1B	Ignition flywheel		1	
	17	0619.50.065	Washer		1	
	18	881.1.010.1C	Inner ring		1	
	19	701.4.003.1A	Needle bearing		1	
	20	173.1.012.1A	Electric starter driven gear		1	
	21	701.4.007.1A	Starter clutch		1	


NOTES	NO.	CODE NO.	DESCRIPTION	VALIDITY	Q.TY	
-------	-----	----------	-------------	----------	------	---


DRAWING **013** HEAD: TIMING





DRAWING **013** HEAD: TIMING

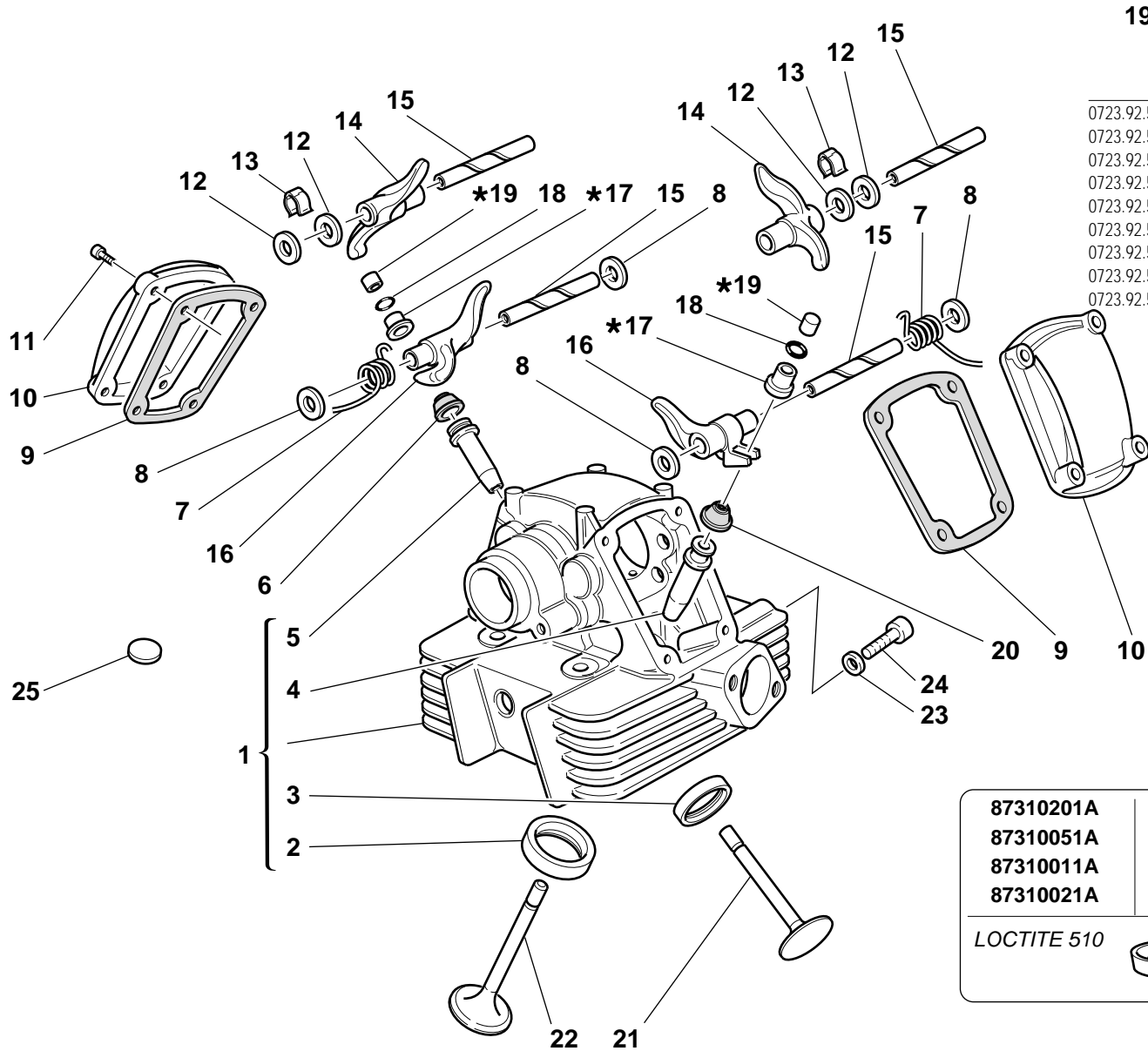
NOTES	NO.	CODE NO.	DESCRIPTION	VALIDITY	Q.TY	
	1	72944.1542	Elastic-stop ring nut		2	
	2	0797.69.040	Washer		2	
	3	255.1.014.1A	Timing belt roller		2	
	4	856.1.002.1A	Belt roller separating washer		2	
	5	235.1.027.1A	Vertical rubber cap		1	
	6	713.1.006.1A	Belt roller spacer		2	
	7	0204.70.105	Seal ring		2	
	8	75110.1747	Bearing		2	
	9	0660.29.030	Spacer		2	
	10	60N107335	Screw		4	
	11	235.1.026.1A	Horizontal rubber cap		1	
	12	0370.92.050	Stud bolt		4	
	13	75110.2054	Bearing		2	
	14	0400.16.190	Washer		2	
	15	74172.1008	Woodruff key		2	
	16	148.1.066.1A	Horizontal head camshaft		1	
	17	0400.29.125	Shim th. 0.2		0	
	17	0400.29.126	Shim th. 0.5		4	
	18	0660.92.310	Cap gasket		2	
	19	75173.1542	Bearing		2	
	20	235.2.015.1BA	Cap with bearing		2	
	21	60N102509	Screw		8	
	22	148.1.067.1A	Vertical head camshaft		1	
	23	417.5.033.7A	Stud bolt		4	
	24	160.1.076.1A	Flange		2	
	25	852.1.124.1A	Special washer		2	

NOTES	NO.	CODE NO.	DESCRIPTION	VALIDITY	Q.TY	
	26	771.5.040.2B	Screw		6	

DRAWING **014** VERTICAL HEAD

**17 ★** Scodellino ritorno  
Return cap  
Coupelle retour  
Einstellhülse


0727.92.050	— 5	0727.92.171	— 7,15
0727.92.150	— 5,05	0727.92.072	— 7,2
0727.92.051	— 5,10	0727.92.172	— 7,25
0727.92.151	— 5,15	0727.92.073	— 7,30
0727.92.052	— 5,2	0727.92.173	— 7,35
0727.92.152	— 5,25	0727.92.074	— 7,4
0727.92.053	— 5,30	0727.92.174	— 7,45
0727.92.153	— 5,35	0727.92.075	— 7,50
0727.92.054	— 5,4	0727.92.175	— 7,55
0727.92.154	— 5,45	0727.92.076	— 7,6
0727.92.055	— 5,50	0727.92.176	— 7,65
0727.92.155	— 5,55	0727.92.077	— 7,70
0727.92.056	— 5,6	0727.92.177	— 7,75
0727.92.156	— 5,65	0727.92.078	— 7,8
0727.92.057	— 5,70	0727.92.178	— 7,85
0727.92.157	— 5,75	0727.92.079	— 7,90
0727.92.058	— 5,8	0727.92.179	— 7,95
0727.92.158	— 5,85	0727.92.080	— 8
0727.92.059	— 5,90	0727.92.180	— 8,05
0727.92.159	— 5,95	0727.92.081	— 8,10
0727.92.060	— 6	0727.92.181	— 8,15
0727.92.160	— 6,05	0727.92.082	— 8,2
0727.92.061	— 6,10	0727.92.182	— 8,25
0727.92.161	— 6,15	0727.92.083	— 8,3
0727.92.062	— 6,2	0727.92.183	— 8,35
0727.92.162	— 6,25	0727.92.084	— 8,4
0727.92.063	— 6,30	0727.92.184	— 8,45
0727.92.163	— 6,35	0727.92.085	— 8,5
0727.92.064	— 6,4	0727.92.185	— 8,55
0727.92.164	— 6,45	0727.92.086	— 8,6
0727.92.065	— 6,50	0727.92.186	— 8,65
0727.92.165	— 6,55	0727.92.087	— 8,7
0727.92.066	— 6,6	0727.92.187	— 8,75
0727.92.166	— 6,65	0727.92.088	— 8,8
0727.92.067	— 6,70	0727.92.188	— 8,85
0727.92.167	— 6,75	0727.92.089	— 8,9
0727.92.068	— 6,8	0727.92.189	— 8,95
0727.92.168	— 6,85	0727.92.090	— 9
0727.92.069	— 6,90	0727.92.092	— 9,2
0727.92.169	— 6,95	0727.92.094	— 9,4
0727.92.070	— 7	0727.92.096	— 9,6
0727.92.170	— 7,05		
0727.92.071	— 7,10		



**19 ★** Registro bilanciere  
Adjustment  
Réglage  
Ventilkäppchen


0723.92.500	— 2	0723.92.575	— 2,45
0723.92.535	— 2,05	0723.92.505	— 2,5
0723.92.501	— 2,1	0723.92.585	— 2,55
0723.92.545	— 2,15	0723.92.506	— 2,6
0723.92.502	— 2,2	0723.92.595	— 2,65
0723.92.555	— 2,25	0723.92.507	— 2,7
0723.92.503	— 2,3	0723.92.605	— 2,75
0723.92.565	— 2,35	0723.92.508	— 2,8
0723.92.504	— 2,4	0723.92.615	— 2,85
		0723.92.509	— 2,9
		0723.92.625	— 2,95
		0723.92.510	— 3
		0723.92.635	— 3,05
		0723.92.511	— 3,1
		0723.92.645	— 3,15
		0723.92.512	— 3,2
		0723.92.655	— 3,25
		0723.92.513	— 3,3
		0723.92.675	— 3,35
		0723.92.514	— 3,4
		0723.92.685	— 3,45
		0723.92.515	— 3,5
		0723.92.695	— 3,55
		0723.92.516	— 3,6
		0723.92.705	— 3,65
		0723.92.517	— 3,7
		0723.92.715	— 3,75
		0723.92.518	— 3,8
		0723.92.725	— 3,85
		0723.92.519	— 3,9
		0723.92.735	— 3,95
		0723.92.520	— 4
		0723.92.745	— 4,05
		0723.92.521	— 4,1
		0723.92.522	— 4,2
		0723.92.523	— 4,3
		0723.92.524	— 4,4
		0723.92.525	— 4,5
		0723.92.526	— 4,6
		0723.92.527	— 4,7
		0723.92.528	— 4,8
		0723.92.529	— 4,9
		0723.92.530	— 5

<b>87310201A</b>	<b>-20</b>
<b>87310051A</b>	<b>-18</b>
<b>87310011A</b>	<b>-16</b>
<b>87310021A</b>	<b>-10</b>

**LOCTITE 510** 

DRAWING **014** VERTICAL HEAD

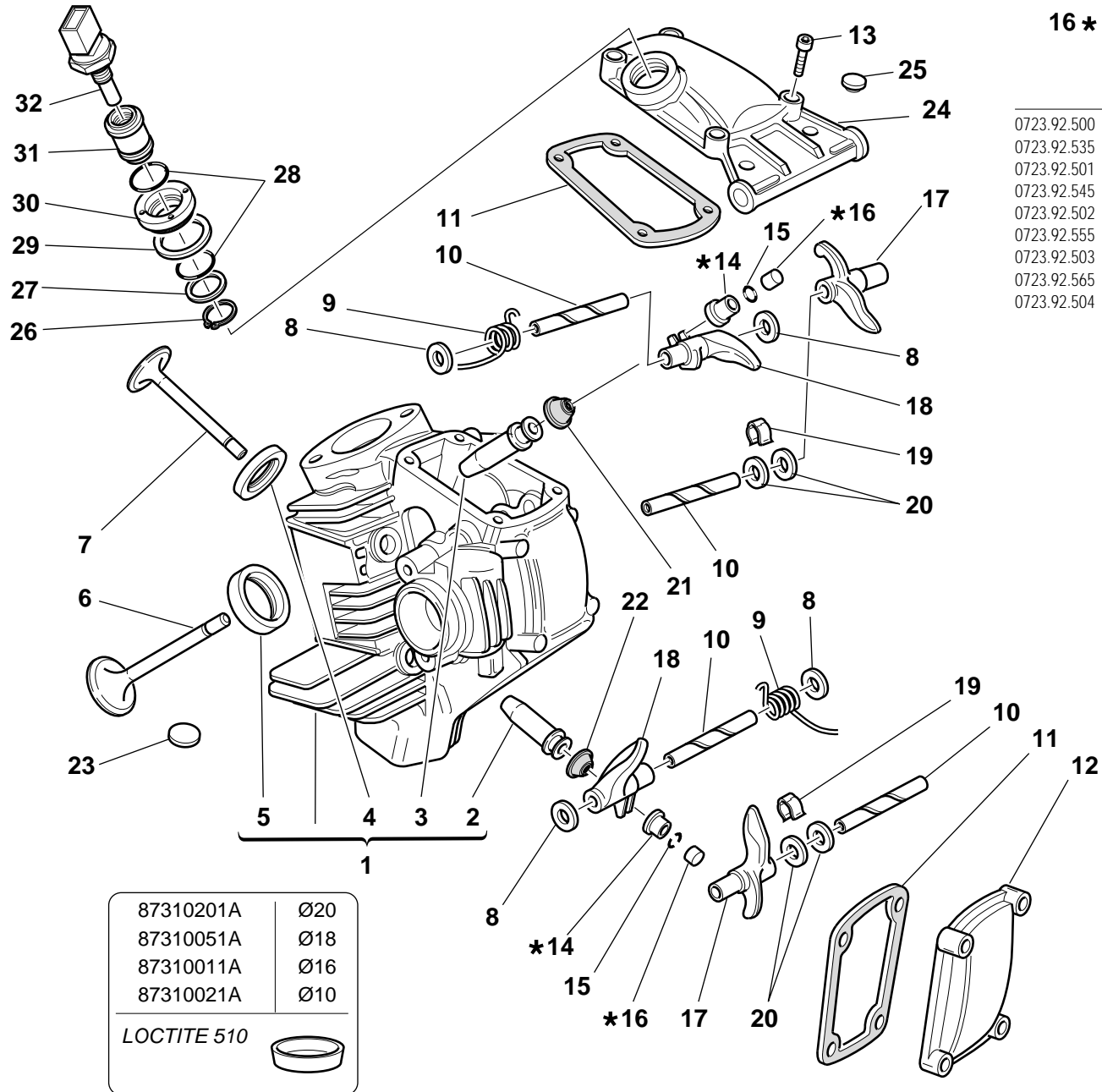
NOTES	NO.	CODE NO.	DESCRIPTION	VALIDITY	Q.TY	
	1	301.2.018.1BA	Vertical head (2,3,6,7 included)		1	
	2	304.1.005.2A	Intake valve seat		1	
	2	304.1.005.2AB	Oversize intake valve seat 0.03		1	
	2	304.1.005.2AC	Oversize intake valve seat 0.06		1	
	3	304.1.006.2A	Exhaust valve seat		1	
	3	304.1.006.2AB	Oversize exhaust valve seat 0.03		1	
	3	304.1.006.2AC	Oversize exhaust valve seat 0.06		1	
	4	303.1.003.1A	Intake valve cast iron guide		1	
	4	303.1.003.1AB	Oversize valve guide 0.03		1	
	4	303.1.003.1AC	Oversize valve guide 0.06		1	
	4	303.1.003.1AD	Oversize valve guide 0.09		1	
	5	303.2.004.1C	Exhaust valve bronze guide		1	
	5	303.2.004.1CB	Oversize valve guide 0.03		1	
	5	303.2.004.1CC	Oversize valve guide 0.06		1	
	5	303.2.004.1CD	Oversize valve guide 0.09		1	
	6	764.1.013.1A	Valve seal		1	
	7	799.1.061.1A	Closing rocker spring		2	
	8	0619.92.180	Shim th. 0.3		6	
	8	0670.92.190	Shim th. 2		4	
	8	0765.92.185	Shim th. 1		2	
	8	0765.92.190	Shim th. 0.5		4	
	8	0765.92.195	Shim th. 0.1		2	
	8	0765.92.205	Shim th. 0.2		8	
	9	788.1.032.2A	Valve cover gasket		2	
	10	240.1.010.1AB	Valve cover		2	
	11	60N102509	Screw		8	

NOTES	NO.	CODE NO.	DESCRIPTION	VALIDITY	Q.TY	
	12	0647.70.010	Shim		4	
	13	0375.92.210	Spring		2	
	14	208.1.012.1A	Opening rocker		2	
	15	0660.92.240	Rocker shaft		4	
	15	0660.92.245	Oversize rocker shaft 0.02		4	
	16	209.1.012.1A	Closing rocker		2	
	17	0727.92.239	See table		2	
	18	669.1.003.1A	Split rings		4	
	19	0723.92.239	See table		2	
	20	764.1.009.1A	Valve seal		1	
	21	211.1.003.4A	Exhaust valve		1	
	22	210.1.003.5A	Intake valve		1	
	23	420.2.000.7A	Copper gasket		1	
	24	779.1.133.1A	Screw		1	
	25	700.1.027.1A	Vibration damper pad		22	

DRAWING **015** HORIZONTAL HEAD

**14 ★** Scodellino ritorno  
Return cap  
Coupelle retour  
Einstellhülse

0727.92.050	— 5	0727.92.171	— 7,15
0727.92.150	— 5,05	0727.92.072	— 7,2
0727.92.051	— 5,10	0727.92.172	— 7,25
0727.92.151	— 5,15	0727.92.073	— 7,30
0727.92.052	— 5,2	0727.92.173	— 7,35
0727.92.152	— 5,25	0727.92.074	— 7,4
0727.92.053	— 5,30	0727.92.174	— 7,45
0727.92.153	— 5,35	0727.92.075	— 7,50
0727.92.054	— 5,4	0727.92.175	— 7,55
0727.92.154	— 5,45	0727.92.076	— 7,6
0727.92.055	— 5,50	0727.92.176	— 7,65
0727.92.155	— 5,55	0727.92.077	— 7,70
0727.92.056	— 5,6	0727.92.177	— 7,75
0727.92.156	— 5,65	0727.92.078	— 7,8
0727.92.057	— 5,70	0727.92.178	— 7,85
0727.92.157	— 5,75	0727.92.079	— 7,90
0727.92.058	— 5,8	0727.92.179	— 7,95
0727.92.158	— 5,85	0727.92.080	— 8
0727.92.059	— 5,90	0727.92.180	— 8,05
0727.92.159	— 5,95	0727.92.081	— 8,10
0727.92.060	— 6	0727.92.181	— 8,15
0727.92.160	— 6,05	0727.92.082	— 8,2
0727.92.061	— 6,10	0727.92.182	— 8,25
0727.92.161	— 6,15	0727.92.083	— 8,3
0727.92.062	— 6,2	0727.92.183	— 8,35
0727.92.162	— 6,25	0727.92.084	— 8,4
0727.92.063	— 6,30	0727.92.184	— 8,45
0727.92.163	— 6,35	0727.92.085	— 8,5
0727.92.064	— 6,4	0727.92.185	— 8,55
0727.92.164	— 6,45	0727.92.086	— 8,6
0727.92.065	— 6,50	0727.92.186	— 8,65
0727.92.165	— 6,55	0727.92.087	— 8,7
0727.92.066	— 6,6	0727.92.187	— 8,75
0727.92.166	— 6,65	0727.92.088	— 8,8
0727.92.067	— 6,70	0727.92.188	— 8,85
0727.92.167	— 6,75	0727.92.089	— 8,9
0727.92.068	— 6,8	0727.92.189	— 8,95
0727.92.168	— 6,85	0727.92.090	— 9
0727.92.069	— 6,90	0727.92.092	— 9,2
0727.92.169	— 6,95	0727.92.094	— 9,4
0727.92.070	— 7	0727.92.096	— 9,6
0727.92.170	— 7,05		
0727.92.071	— 7,10		




**16 ★** Registro bilanciere  
Adjustment  
Réglage  
Ventilkäppchen

0723.92.500	— 2	0723.92.575	— 2,45
0723.92.535	— 2,05	0723.92.505	— 2,5
0723.92.501	— 2,1	0723.92.585	— 2,55
0723.92.545	— 2,15	0723.92.506	— 2,6
0723.92.502	— 2,2	0723.92.595	— 2,65
0723.92.555	— 2,25	0723.92.507	— 2,7
0723.92.503	— 2,3	0723.92.605	— 2,75
0723.92.565	— 2,35	0723.92.508	— 2,8
0723.92.504	— 2,4	0723.92.615	— 2,85
		0723.92.509	— 2,9
		0723.92.625	— 2,95
		0723.92.510	— 3
		0723.92.635	— 3,05
		0723.92.511	— 3,1
		0723.92.645	— 3,15
		0723.92.512	— 3,2
		0723.92.655	— 3,25
		0723.92.513	— 3,3
		0723.92.675	— 3,35
		0723.92.514	— 3,4
		0723.92.685	— 3,45
		0723.92.515	— 3,5
		0723.92.695	— 3,55
		0723.92.516	— 3,6
		0723.92.705	— 3,65
		0723.92.517	— 3,7
		0723.92.715	— 3,75
		0723.92.518	— 3,8
		0723.92.725	— 3,85
		0723.92.519	— 3,9
		0723.92.735	— 3,95
		0723.92.520	— 4
		0723.92.745	— 4,05
		0723.92.521	— 4,1
		0723.92.522	— 4,2
		0723.92.523	— 4,3
		0723.92.524	— 4,4
		0723.92.525	— 4,5
		0723.92.526	— 4,6
		0723.92.527	— 4,7
		0723.92.528	— 4,8
		0723.92.529	— 4,9
		0723.92.530	— 5

DRAWING **015** HORIZONTAL HEAD

NOTES	NO.	CODE NO.	DESCRIPTION	VALIDITY	Q.TY	
	1	301.2.019.3BA	Horizontal head (2,3,6,7 included)		1	
	2	303.2.004.1C	Exhaust valve bronze guide		1	
	2	303.2.004.1CB	Oversize valve guide 0.03		1	
	2	303.2.004.1CC	Oversize valve guide 0.06		1	
	2	303.2.004.1CD	Oversize valve guide 0.09		1	
	3	303.1.003.1A	Intake valve cast iron guide		1	
	3	303.1.003.1AB	Oversize valve guide 0.03		1	
	3	303.1.003.1AC	Oversize valve guide 0.06		1	
	3	303.1.003.1AD	Oversize valve guide 0.09		1	
	4	304.1.005.2A	Intake valve seat		1	
	4	304.1.005.2AB	Oversize intake valve seat 0.03		1	
	4	304.1.005.2AC	Oversize intake valve seat 0.06		1	
	5	304.1.006.2A	Exhaust valve seat		1	
	5	304.1.006.2AB	Oversize exhaust valve seat 0.03		1	
	5	304.1.006.2AC	Oversize exhaust valve seat 0.06		1	
	6	211.1.003.4A	Exhaust valve		1	
	7	210.1.003.5A	Intake valve		1	
	8	0619.92.180	Shim th. 0.3		6	
	8	0670.92.190	Shim th. 2		4	
	8	0765.92.185	Shim th. 1		2	
	8	0765.92.190	Shim th. 0.5		4	
	8	0765.92.195	Shim th. 0.1		2	
	8	0765.92.205	Shim th. 0.2		8	
	9	799.1.061.1A	Closing rocker spring		2	
	10	0660.92.240	Rocker shaft		4	
	10	0660.92.245	Oversize rocker shaft 0.02		4	


CATALOGUE No: **915.1.061.1D**  
ISSUED: **05 - 00**


NOTES	NO.	CODE NO.	DESCRIPTION	VALIDITY	Q.TY	
	11	788.1.032.2A	Valve cover gasket		2	
	12	240.1.010.1AB	Valve cover		1	
	13	60N102509	Screw		8	
	14	0727.92.239	See table		2	
	15	669.1.003.1A	Split rings		4	
	16	0723.92.239	See table		2	
	17	208.1.012.1A	Opening rocker		2	
	18	209.1.012.1A	Closing rocker		2	
	19	0375.92.210	Spring		2	
	20	0647.70.010	Shim		4	
	21	764.1.009.1A	Valve seal		1	
	22	764.1.013.1A	Valve seal		1	
	23	700.1.027.1A	Vibration damper pad		20	
	24	240.1.012.1BB	Intake valve cover		1	
	25	300160	Rubber cap		2	
	26	73500.1747	Snap ring		1	
	27	713.1.137.1A	Spacer		1	
	28	886.4.028.1A	O-Ring		2	
	29	787.1.008.1A	Aluminium gasket		1	
	30	703.1.019.1A	Ring nut		1	
	31	829.1.235.1A	Holder sensor		1	
	32	552.4.013.1A	Water temperature sensor		1	

CATALOGUE No: **915.1.061.1D**  
ISSUED: **05 - 00**

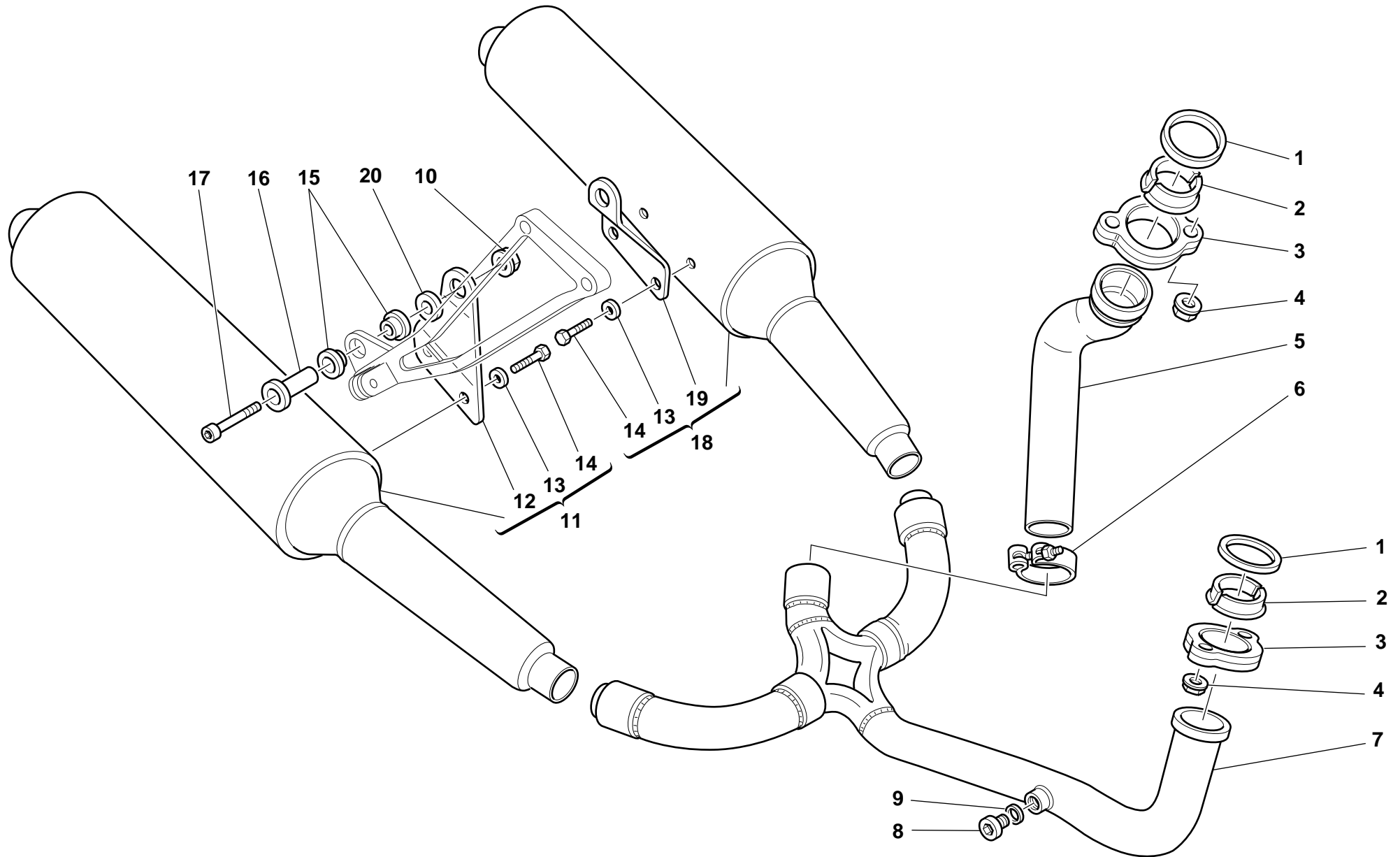


DRAWING **016** THROTTLE BODY

NOTES	NO.	CODE NO.	DESCRIPTION	VALIDITY	Q.TY	
	1	282.4.018.1A	Feed unit assembly		1	
	2	284.4.002.1A	Potentiometer		1	
	3	741.4.022.1A	Clamp		2	
	4	801.1.024.2A	Hose		1	
	5	741.4.004.1A	Clamp		2	
	6	741.4.041.1A	Clamp "R"		1	
	7	590.1.104.1A	Tube		1	
	8	287.4.024.1B	Clamp		6	
	9	741.4.040.1A	Clamp "M"		1	
	10	280.4.002.1A	Injector		2	
	11	137.1.003.2B	Intake duct		2	
	12	0250.70.223	Aluminium gasket		2	
	13	776.5.032.2A	Screw		2	
	14	463.2.022.2A	O-Ring		2	
	15	729908FN1	Nut		4	
	16	590.1.096.1A	Tube		1	
	17	590.1.103.1A	Tube		1	
	18	590.1.099.1A	Tube		1	
	19	830.1.091.2A	Holder		1	
	20	8000.62729	Screw		1	
	21	283.4.003.1A	Pressure regulator		1	
	22	73503.3449	Circlip		1	
	23	886.4.022.1A	O-ring		1	
	24	886.4.021.1A	O-ring		1	
	25	0335.03.465	El-stop nut		1	
	26	70620.5212	Screw		2	


NOTES	NO.	CODE NO.	DESCRIPTION	VALIDITY	Q.TY	
	27	827.1.179.1A	Regulator bracket		1	
	28	801.1.023.2A	Hose		1	
	29	741.4.042.1A	Clamp		2	

DRAWING **017** EXHAUST SYSTEM



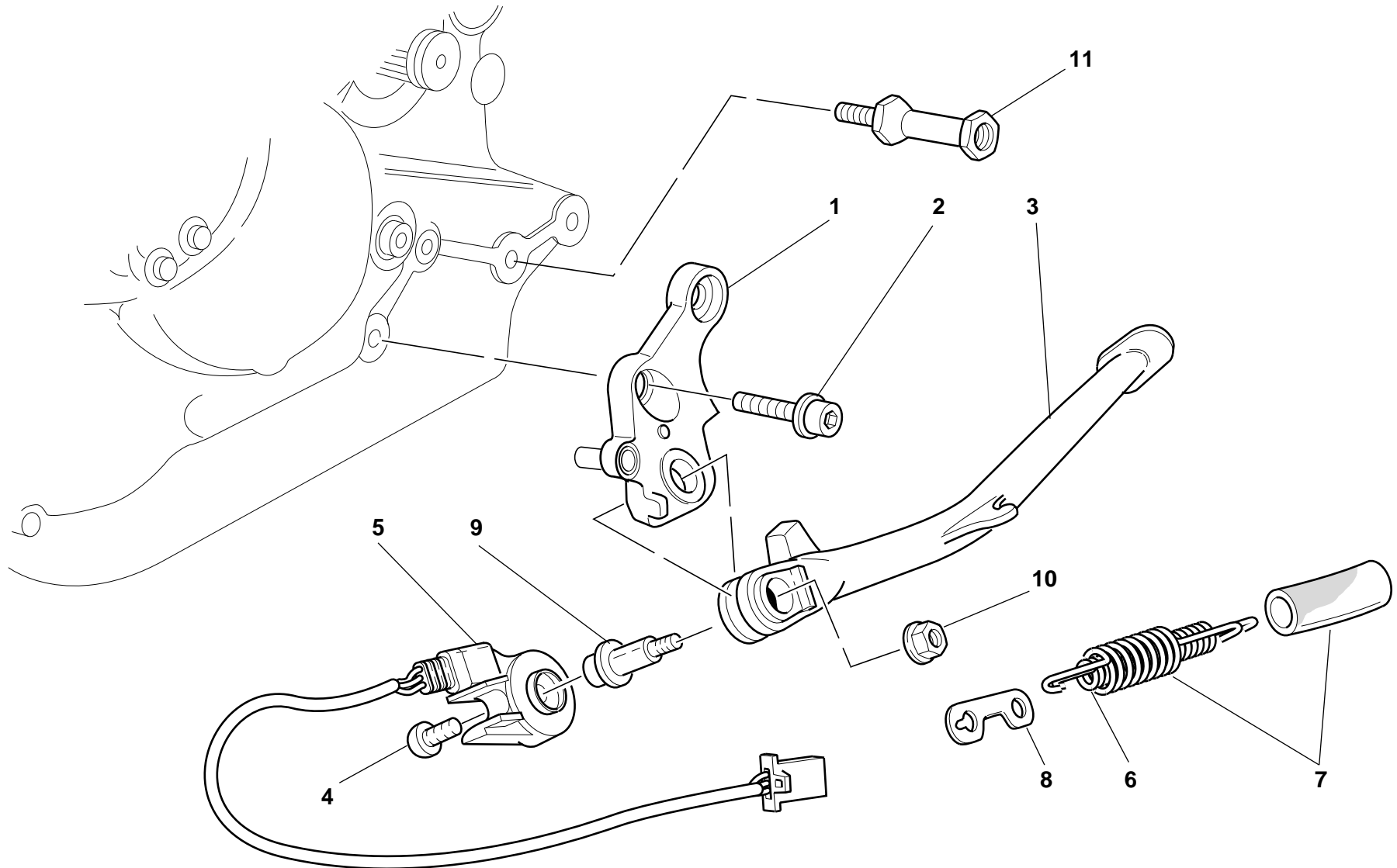


DRAWING **017** EXHAUST SYSTEM


NOTES	NO.	CODE NO.	DESCRIPTION	VALIDITY	Q.TY	
	1	0370.84.005	Exhaust gasket		2	
	2	0619.84.015	Half bushes		4	
	3	575.1.001.1AB	Exhaust ring nut (GREY)		2	
	4	0404.02.390	Nut		4	
	5	571.1.038.1A	Vertical head exhaust pipe		1	
	6	741.1.003.1A	Clamp		1	
	7	570.1.038.1A	Horizontal head exhaust pipe		1	
	8	780.1.007.1A	Cap		2	
	9	420.2.001.0A	Gasket th.1		2	
	10	729908FN1	Nut		2	
	11	573.1.047.1A	R.H. silencer		1	
	12	576.1.031.1A	R.H. bracket		1	
	13	73270.8001	Washer		4	
	14	70914.2121	Screw		4	
	15	764.1.001.1A	Rubber pad		4	
	16	684.1.044.1A	Stud bolt		2	
	17	779.5.016.1A	Screw		2	
	18	574.1.047.1A	L.H. silencer		1	
	19	576.1.032.1A	L.H. bracket		1	
	20	852.1.099.1A	Washer		2	

NOTES	NO.	CODE NO.	DESCRIPTION	VALIDITY	Q.TY	
-------	-----	----------	-------------	----------	------	---

DRAWING **018** STANDS




DRAWING **018** STANDS

NOTES	NO.	CODE NO.	DESCRIPTION	VALIDITY	Q.TY	
	1	556.2.021.1A	Plate		1	
	2	60N101206	Screw		2	
	3	556.1.023.1A	Side stand		1	
	4	779.4.005.1A	Screw		1	
	5	539.1.023.1A	Switch		1	
	6	799.1.089.1A	Spring		1	
	7	799.1.088.1A	Outer spring		1	
	8	827.1.139.1B	Plate		1	
	9	556.1.018.1C	Pivot		1	
	10	749.4.045.2G	Nut		1	
	11	684.1.025.1A	Stud bolt		1	

NOTES	NO.	CODE NO.	DESCRIPTION	VALIDITY	Q.TY	
-------	-----	----------	-------------	----------	------	---



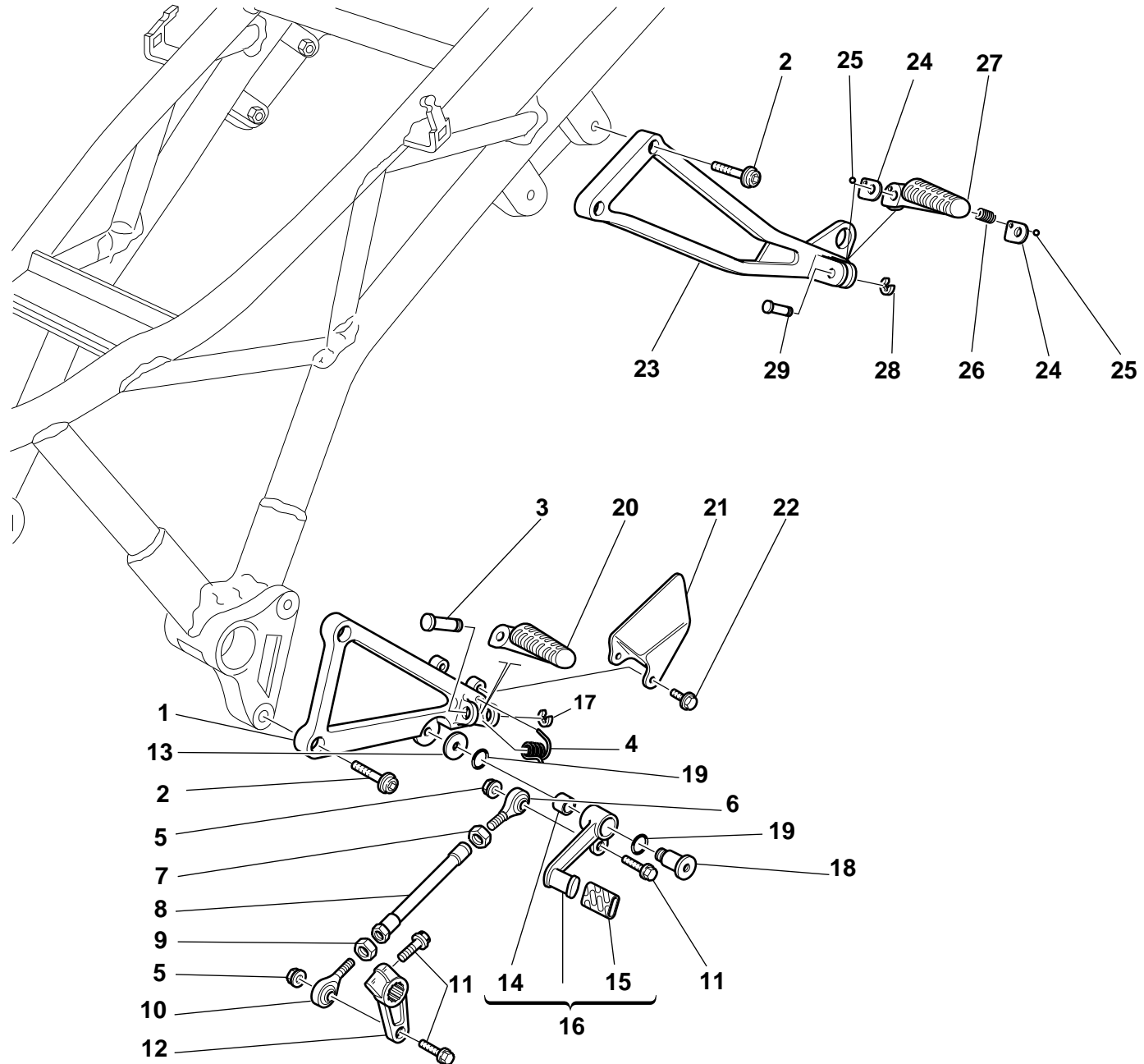
DRAWING **019** FRAME

NOTES	NO.	CODE NO.	DESCRIPTION	VALIDITY	Q.TY	
	1	470.1.042.1BA	Frame		1	
	2	764.4.004.1A	Fairlead		1	
	3	748.4.002.1A	Nut		2	
	4	872.1.026.1A	Cap		4	
	5	866.1.035.1A	Rubber pad		2	
	6	771.5.663.2B	Screw		2	
	7	772.5.022.1A	Screw		2	
	8	729908FN1	Nut		2	
	9	779.1.213.1A	Screw		2	
	10	0960.91.130	Nut		2	
	11	684.1.027.2A	Stud bolt		2	
	12	60N102511	Screw		2	
	13	598.2.026.2A	Locks kit		1	
	14	684.1.045.1A	Stud bolt		2	
	15	866.1.038.1A	Protection		2	


NOTES	NO.	CODE NO.	DESCRIPTION	VALIDITY	Q.TY	
-------	-----	----------	-------------	----------	------	---


DRAWING **020**

L.H. FOOT RESTS

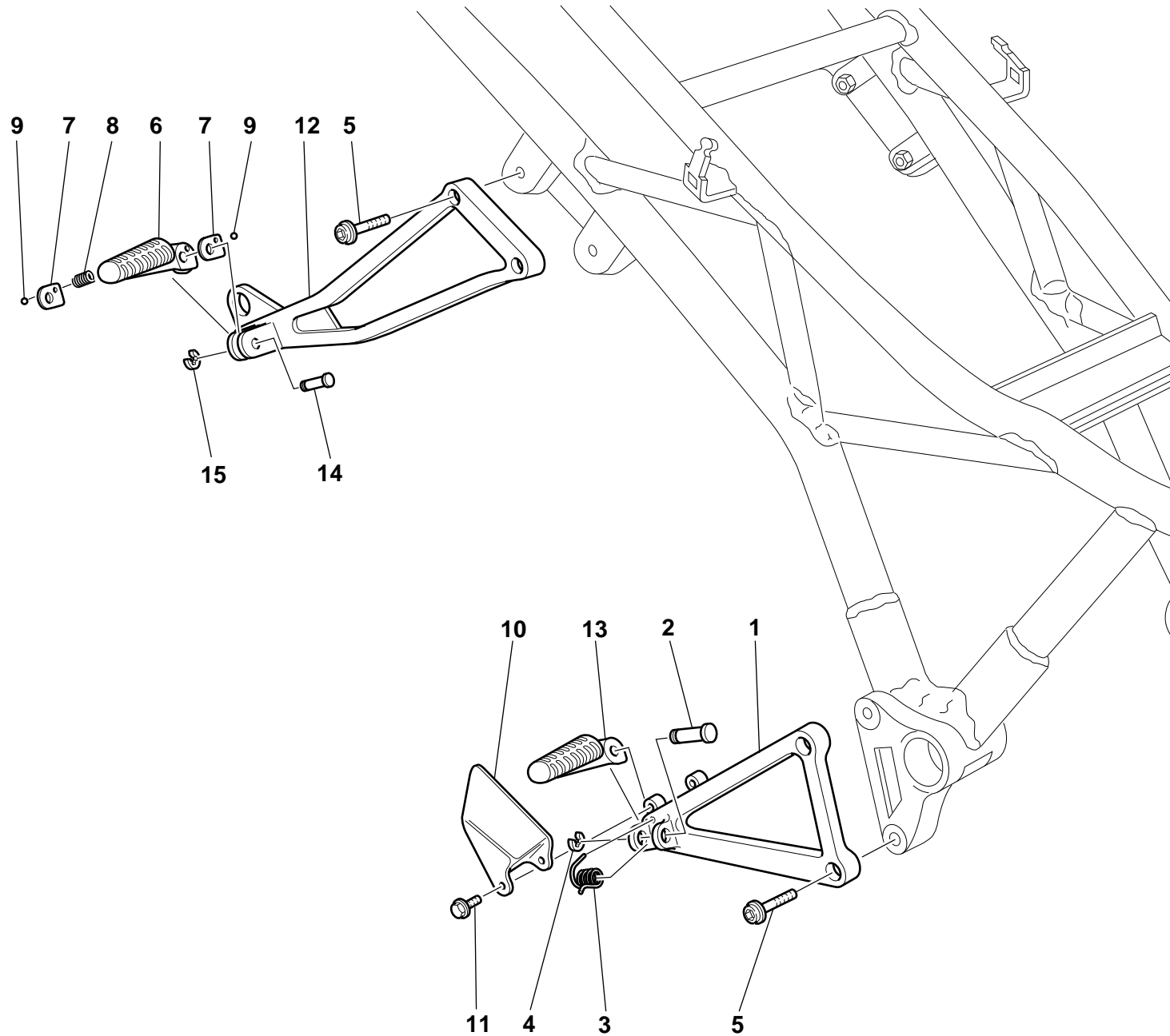


DRAWING **020** L.H. FOOT RESTS

NOTES	NO.	CODE NO.	DESCRIPTION	VALIDITY	Q.TY	
	1	824.1.044.1A	L.H. foot peg holder plate		1	
	2	771.5.723.2B	Screw		4	
	3	821.1.051.1A	Pin		1	
	4	799.1.045.1A	Spring		1	
	5	763106N01	El-stop nut		2	
	6	76401.0002	Ball joint		1	
	7	60N115062	Nut		1	
	8	117.1.030.1A	Gearbox transmission rod		1	
	9	747.5.001.1A	L.H. nut		1	
	10	76401.0003	Ball joint		1	
	11	771.5.667.2B	Screw		3	
	12	0370.69.020	Gearchange control lever		1	
	13	852.1.053.1A	Washer		1	
	14	0000.59056	Bush		1	
	15	764.1.011.2A	Rubber pad		1	
	16	456.2.007.1A	Gearchange lever		1	
	17	884.5.003.1A	Ring		1	
	18	80A0.53548	Pin		1	
	19	0000.01199	O-ring		2	
	20	464.1.005.1A	Front L.H. foot peg		1	
	21	247.1.073.1A	Protection		1	
	22	772.5.025.1A	Screw		2	
	23	824.1.046.1A	Rear L.H. foot peg holder plate		1	
	24	827.1.115.1A	Plate		2	
	25	847.4.002.1A	Ball		1	
	26	8000.62655	Spring		1	


NOTES	NO.	CODE NO.	DESCRIPTION	VALIDITY	Q.TY	
	27	465.1.008.1A	Rear L.H. foot peg		1	
	28	0170.91.730	Ring		1	
	29	821.1.068.1A	Pin		1	

DRAWING **021** R.H. FOOT RESTS



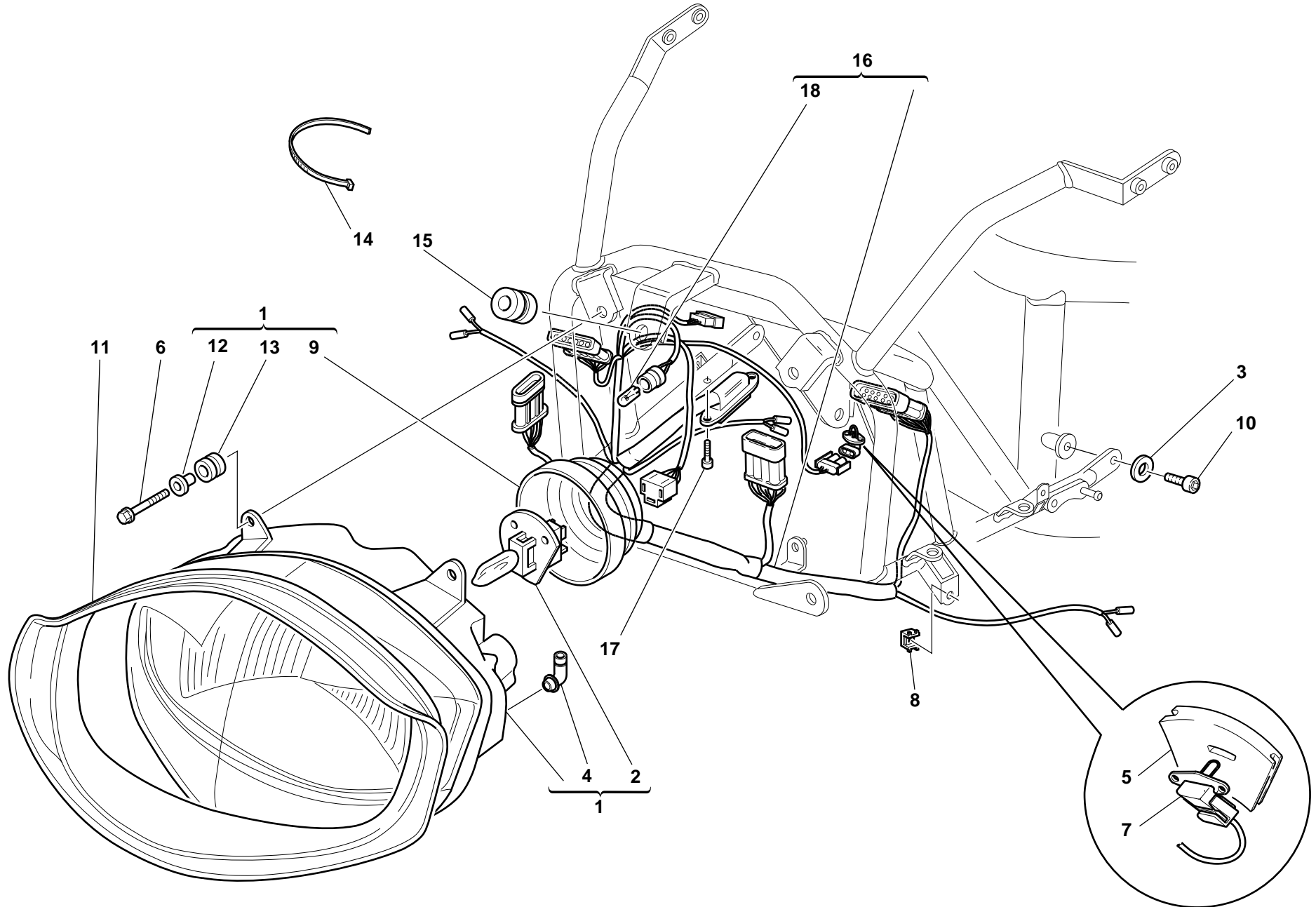


DRAWING **021** R.H. FOOT RESTS


NOTES	NO.	CODE NO.	DESCRIPTION	VALIDITY	Q.TY	
	1	824.1.043.1A	R.H. foot peg holder plate		1	
	2	821.1.051.1A	Pin		1	
	3	799.1.045.1A	Spring		1	
	4	884.5.003.1A	Ring		1	
	5	771.5.723.2B	Screw		4	
	6	465.1.010.1A	Rear R.H. foot peg		1	
	7	827.1.115.1A	Plate		2	
	8	8000.62655	Spring		1	
	9	847.4.002.1A	Ball		1	
	10	247.1.115.1A	Protection		1	
	11	772.5.025.1A	Screw		2	
	12	824.1.045.1A	Rear R.H. foot peg holder plate		1	
	13	464.1.006.1A	Front R.H. foot peg		1	
	14	821.1.068.1A	Pin		1	
	15	0170.91.730	Ring		1	

NOTES	NO.	CODE NO.	DESCRIPTION	VALIDITY	Q.TY	
-------	-----	----------	-------------	----------	------	---

DRAWING **022** HEAD-LIGHT AND ELECTRIC WIRING




DRAWING **022** HEAD-LIGHT AND ELECTRIC WIRING

NOTES	NO.	CODE NO.	DESCRIPTION	VALIDITY	Q.TY	
	1	520.4.017.1A	Complete headlight		1	
	2	0796.38.305	Bulb 55/60W		1	
	3	734306N01	Washer		2	
	4	672.4.005.1A	Rubber cap		2	
	5	829.1.233.1A	Holder sensor		1	
	6	772.5.023.1A	Screw		4	
	7	552.4.012.1A	Air temperature sensor		1	
	8	0960.91.130	Nut		2	
	9	672.4.004.1A	Headlight cover		1	
	10	60N102505	Screw		2	
	11	791.1.040.1A	Headlight gasket		1	
	12	716.4.001.1A	Spacer		4	
	13	764.4.007.1A	Vibration damper pad		4	
	14	0691.91.030	Clamp		7	
	15	764.1.005.1A	Vibration damper pad		1	
	16	510.1.166.1A	Electric wiring		1	
	17	8000.59572	Screw		2	
	18	8000.36230	Bulb		1	

NOTES	NO.	CODE NO.	DESCRIPTION	VALIDITY	Q.TY	
-------	-----	----------	-------------	----------	------	---



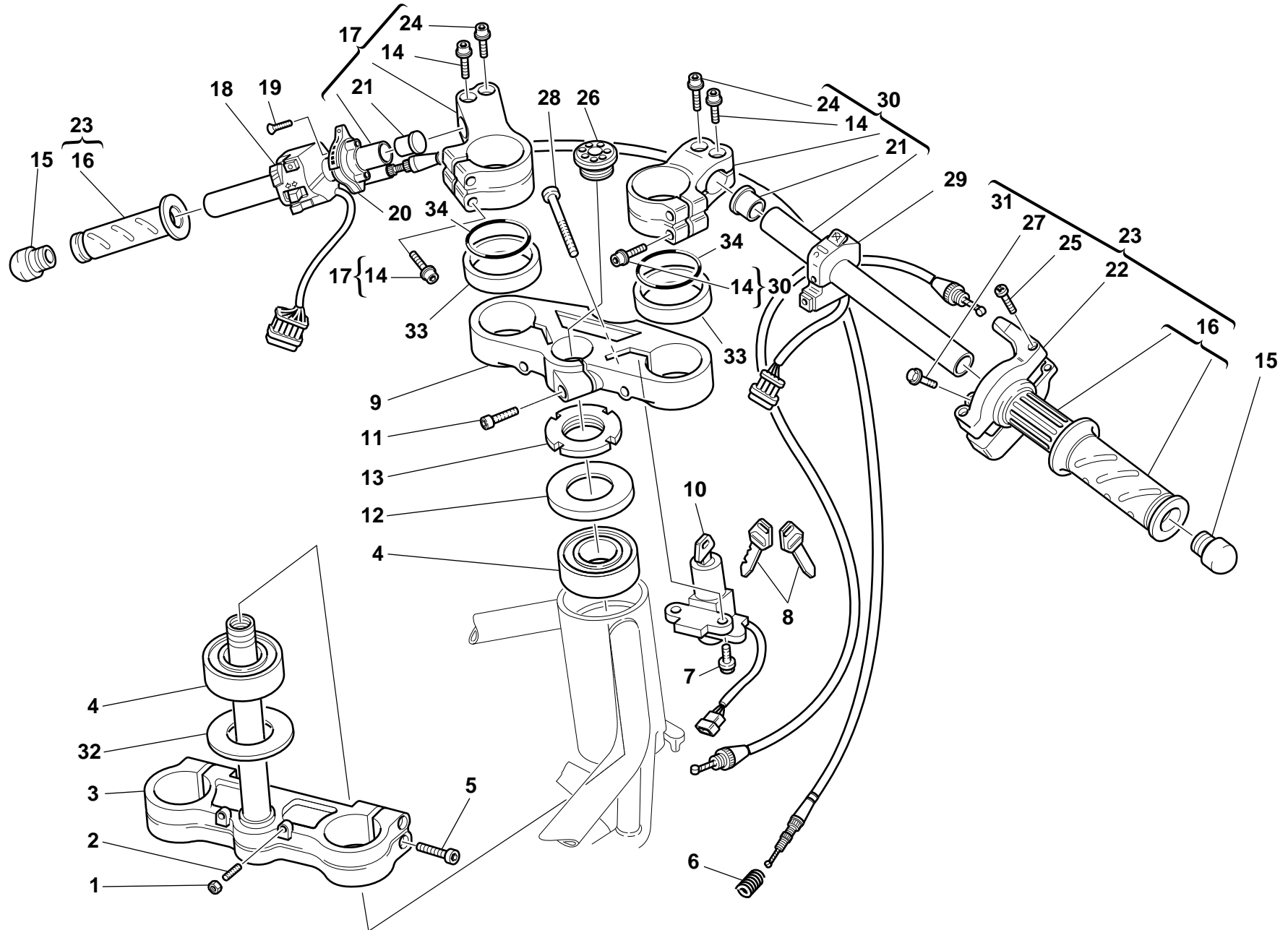
DRAWING **023** INSTRUMENT PANEL

NOTES	NO.	CODE NO.	DESCRIPTION	VALIDITY	Q.TY	
	1	406.1.022.1B	Complete instrument panel (speedometer - miles)		1	
	2	776.4.002.1A	Screw		1	
	3	8000.56742	Grip		1	
	4	401.4.019.1A	Speedometer (miles)		1	
	5	0000.78348	Tachometer holder		1	
	6	8000.56741	Gasket		1	
	7	407.4.001.1A	Speedometer holder		1	
	8	8000.56746	Rubber pad		5	
	9	8000.56747	Washer		7	
	10	8000.56748	Nut		7	
	11	8000.77936	Vibration damper sponge		1	
	12	510.1.070.1A	Instrument panel wiring		1	
	13	404.4.008.1A	Oil thermometer		1	
	14	510.1.127.1A	Wiring		1	
	15	390.4.007.1A	Warning lamp bulb12V-1.2W		6	
	16	390.4.002.1A	Warning lamp bulb12V-2W		4	
	17	8000.56752	Rubber pad		3	
	18	8000.42278	Nut		3	
	19	403.1.010.1A	Speedometer (km) cable		1	
	20	829.1.218.1B	Headlight holder		1	
	21	402.4.008.1A	Electronic tachometer		1	

NOTES	NO.	CODE NO.	DESCRIPTION	VALIDITY	Q.TY	
-------	-----	----------	-------------	----------	------	---


DRAWING **024**

HANDLEBAR AND CONTROLS

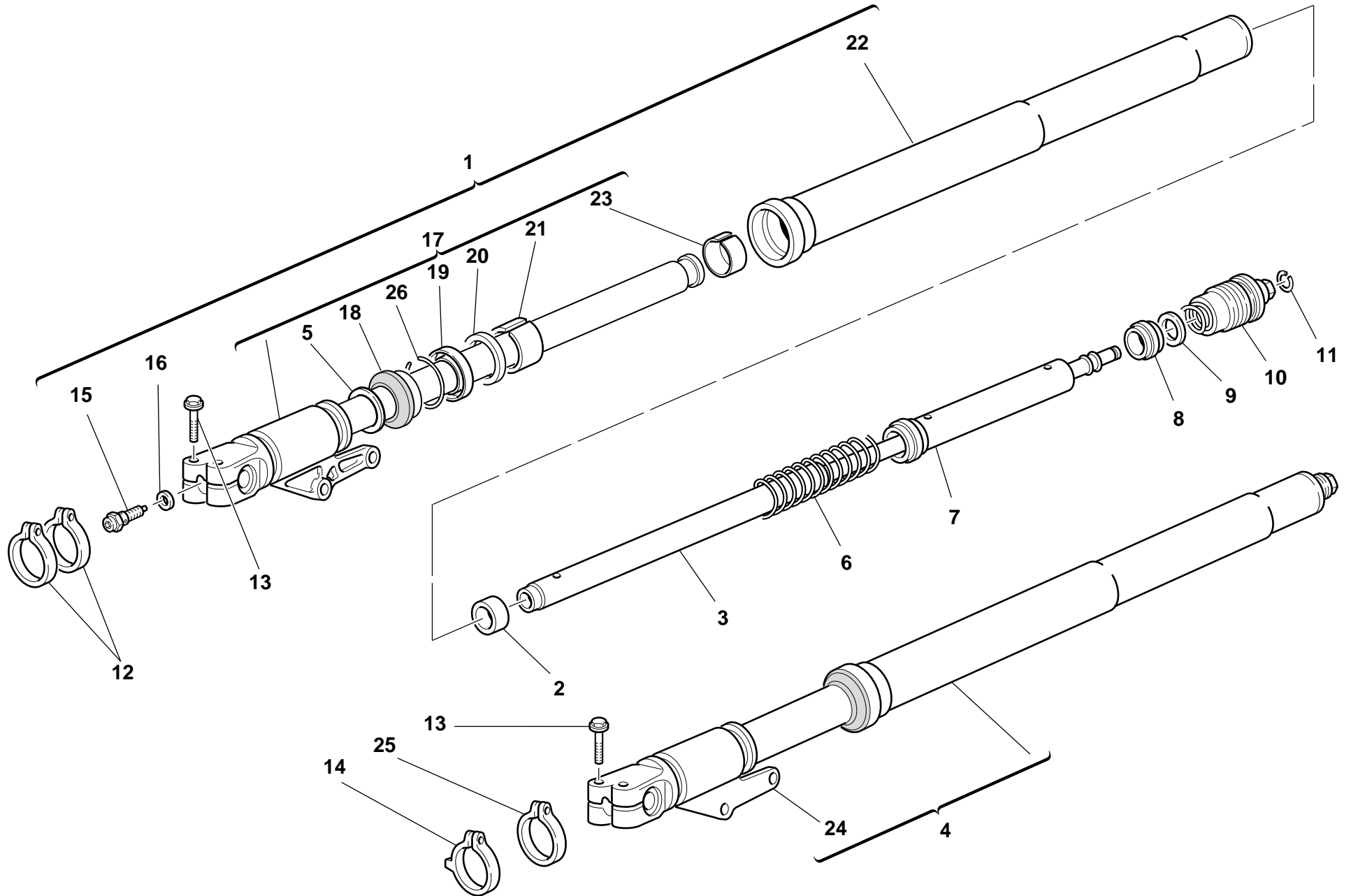


DRAWING **024** HANDLEBAR AND CONTROLS

NOTES	NO.	CODE NO.	DESCRIPTION	VALIDITY	Q.TY	
	1	417.9.030.8A	Nut		2	
	2	779.1.099.1A	Special screw		2	
	3	342.2.007.1A	Steering head base assembly		1	
	4	0691.91.010	Bearing		2	
	5	8A00.69056	Screw		4	
	6	799.1.058.1A	Starter control transmission return spring		1	
	7	772.5.024.1A	Screw		2	
	8	598.4.014.3A	Wrench		1	
	9	341.1.024.1A	Steering head		1	
	10	652.4.002.3A	Key-operated switch		1	
	11	60N102557	Screw		1	
	12	0691.37.020	Special washer		1	
	13	0795.37.120	Ring nut		1	
	14	771.5.669.2B	Screw		6	
	15	872.1.015.1A	Cap		2	
	16	656.2.012.1A	Grips pair		1	
	17	360.2.022.1A	L.H. handlebar		1	
	18	651.4.007.2A	L.H. switch		1	
	19	777.5.210.2A	Screw		2	
	20	655.2.006.1A	Starter control		1	
	21	872.1.011.1A	Cap		2	
	22	658.4.002.1B	Cover		1	
	23	654.2.003.1A	Throttle control		1	
	24	60N102590	Screw		2	
	25	8000.66774	Screw		2	
	26	873.1.035.1A	Cap		1	

NOTES	NO.	CODE NO.	DESCRIPTION	VALIDITY	Q.TY	
	27	772.5.023.1A	Screw		2	
	28	60N102590	Screw		2	
	29	650.4.006.1B	R.H. switch		1	
	30	360.2.023.1A	R.H. handlebar		1	
	31	656.1.018.1A	Throttle control transmission		1	
	32	852.1.096.1A	Washer		1	
	33	713.1.152.1A	Spacer		2	
	34	930.4.024.1A	O-Ring		2	

DRAWING **025** FRONT FORK



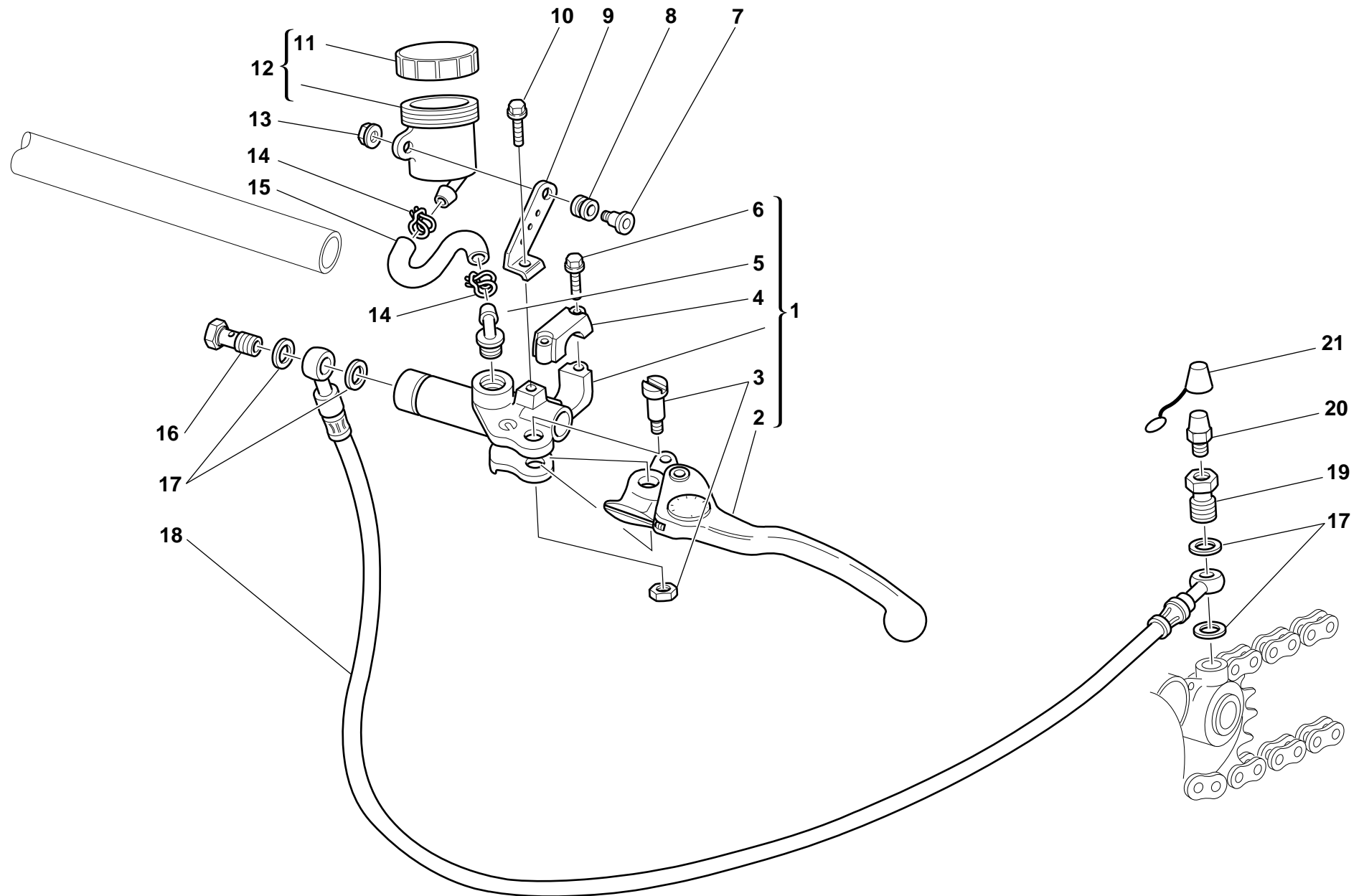


DRAWING **025** FRONT FORK


NOTES	NO.	CODE NO.	DESCRIPTION	VALIDITY	Q.TY	
	1	340.2.095.1A	R.H. fork leg assembly		1	
	2	349.1.095.1A	Centering ring		2	
	3	349.1.118.1A	Damper tube		2	
	4	340.2.096.1A	L.H. fork leg assembly		1	
	5	349.1.100.1A	Special washer		2	
	6	366.1.035.1A	Spring		2	
	7	349.1.119.1A	Spring coupling		2	
	8	349.1.064.1A	Slider		2	
	9	349.1.065.1A	Rubber cush drive hub		2	
	10	349.2.014.1A	Complete cap		2	
	11	349.1.098.1A	Snap ring		2	
	12	8000.70127	Clamp		2	
	13	8A00.69056	Screw		4	
	14	8000.70133	Clamp		1	
	15	349.2.010.1A	Adjusting screw		2	
	16	349.1.096.1A	Special washer		2	
	17	349.1.115.1A	Complete R.H. slider		1	
	18	349.1.101.1A	Dust seal		2	
	19	930.1.005.1A	Seal ring		2	
	20	349.1.102.1A	Check ring		2	
	21	349.1.103.1A	Bush		2	
	22	349.1.117.1A	Stanchion tube		2	
	23	349.1.104.1A	Bush		2	
	24	349.1.116.1A	Complete L.H. slider		1	
	25	741.1.019.1A	Clamp		1	
	26	884.1.005.1A	Ring		2	

NOTES	NO.	CODE NO.	DESCRIPTION	VALIDITY	Q.TY	
-------	-----	----------	-------------	----------	------	---

DRAWING **026** CLUTCH CONTROL



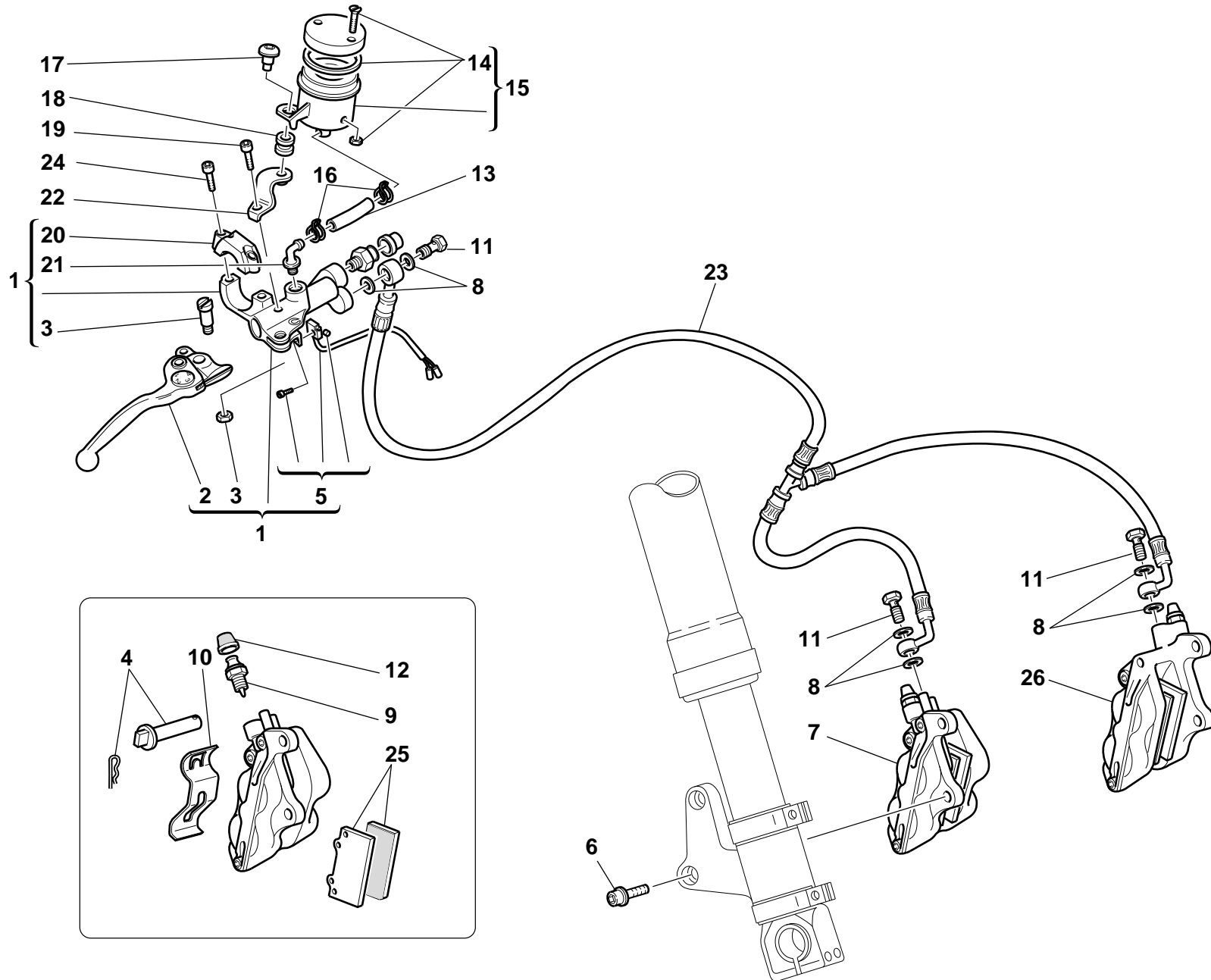
DRAWING **026** **CLUTCH CONTROL**

NOTES	NO.	CODE NO.	DESCRIPTION	VALIDITY	Q.TY	
	1	630.4.010.1AB	Clutch drive pump		1	
	2	631.4.009.1A	Lever with dowel		1	
	3	626.4.011.1A	Spare lever pin		1	
	4	626.4.010.1A	Spare bracket		1	
	5	631.4.008.1A	Spare union		1	
	6	771.5.669.2B	Screw		2	
	7	779.1.092.1A	Screw		1	
	8	0370.72.020	Vibration damper pad		1	
	9	829.1.228.1B	Plate		1	
	10	70700.6N02	Screw		2	
	11	893.4.005.1A	Cap		1	
	12	0000.61078	Complete oil tank		1	
	13	729905FN1	El-stop nut		1	
	14	741.4.043.1A	Clamp		2	
	15	877.1.067.1A	Tube		1	
	16	779.1.058.2A	Special screw		1	
	17	420.2.001.0A	Gasket th.1		4	
	18	632.1.016.2B	Clutch control pipe (METAL PLAITED)		1	
	19	779.1.082.2A	Filler		1	
	20	0000.33552	Bleed		1	
	21	612.4.005.1A	Dust seal		1	

NOTES	NO.	CODE NO.	DESCRIPTION	VALIDITY	Q.TY	
-------	-----	----------	-------------	----------	------	---

DRAWING **027**

**FRONT HYDRAULIC BRAKE**

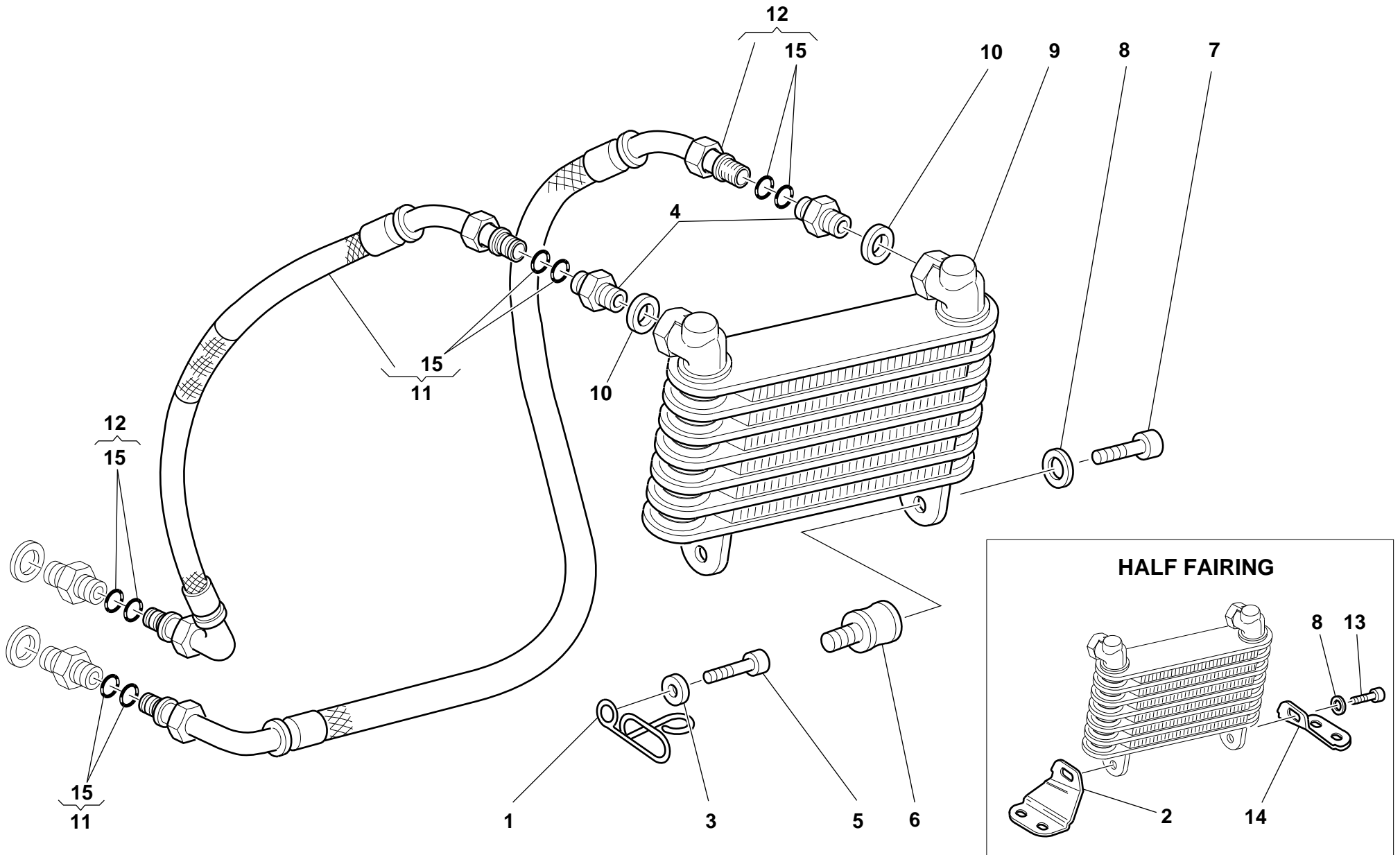


DRAWING **027** FRONT HYDRAULIC BRAKE


NOTES	NO.	CODE NO.	DESCRIPTION	VALIDITY	Q.TY	
	1	624.4.012.1A	Front brake pump		1	
	2	626.4.007.1A	Lever with dowel		1	
	3	626.4.009.1A	Spare lever pin		1	
	4	612.4.014.1A	Spare pins and spring		2	
	5	539.4.021.1A	Microswitch		1	
	6	771.5.754.2B	Screw		4	
	7	610.4.012.2B	R.H. brake caliper		1	
	8	420.2.001.0A	Gasket th.1		6	
	9	631.4.004.1A	Spare bleed union		2	
	10	612.4.017.1A	Spring		2	
	11	779.1.058.2A	Special screw		3	
	12	612.4.008.1A	Dust seal		1	
	13	877.1.069.1A	Tube		1	
	14	8000.68490	Spare cap		1	
	15	0000.66181	Complete oil tank		1	
	16	741.4.043.1A	Clamp		2	
	17	779.1.092.1A	Screw		1	
	18	0370.72.020	Vibration damper pad		1	
	19	70700.6N02	Screw		1	
	20	626.4.008.1A	Spare bracket		1	
	21	631.4.008.1A	Spare union		1	
	22	829.1.227.1B	Bracket		1	
	23	618.4.035.2B	Caliper pump pipe (METAL PLAITED)		1	
	24	771.5.669.2B	Screw		2	
	25	613.4.020.1A	Pads pair		2	
	26	610.4.011.2B	L.H. brake caliper		1	

NOTES	NO.	CODE NO.	DESCRIPTION	VALIDITY	Q.TY	
-------	-----	----------	-------------	----------	------	---

DRAWING **028** OIL COOLER



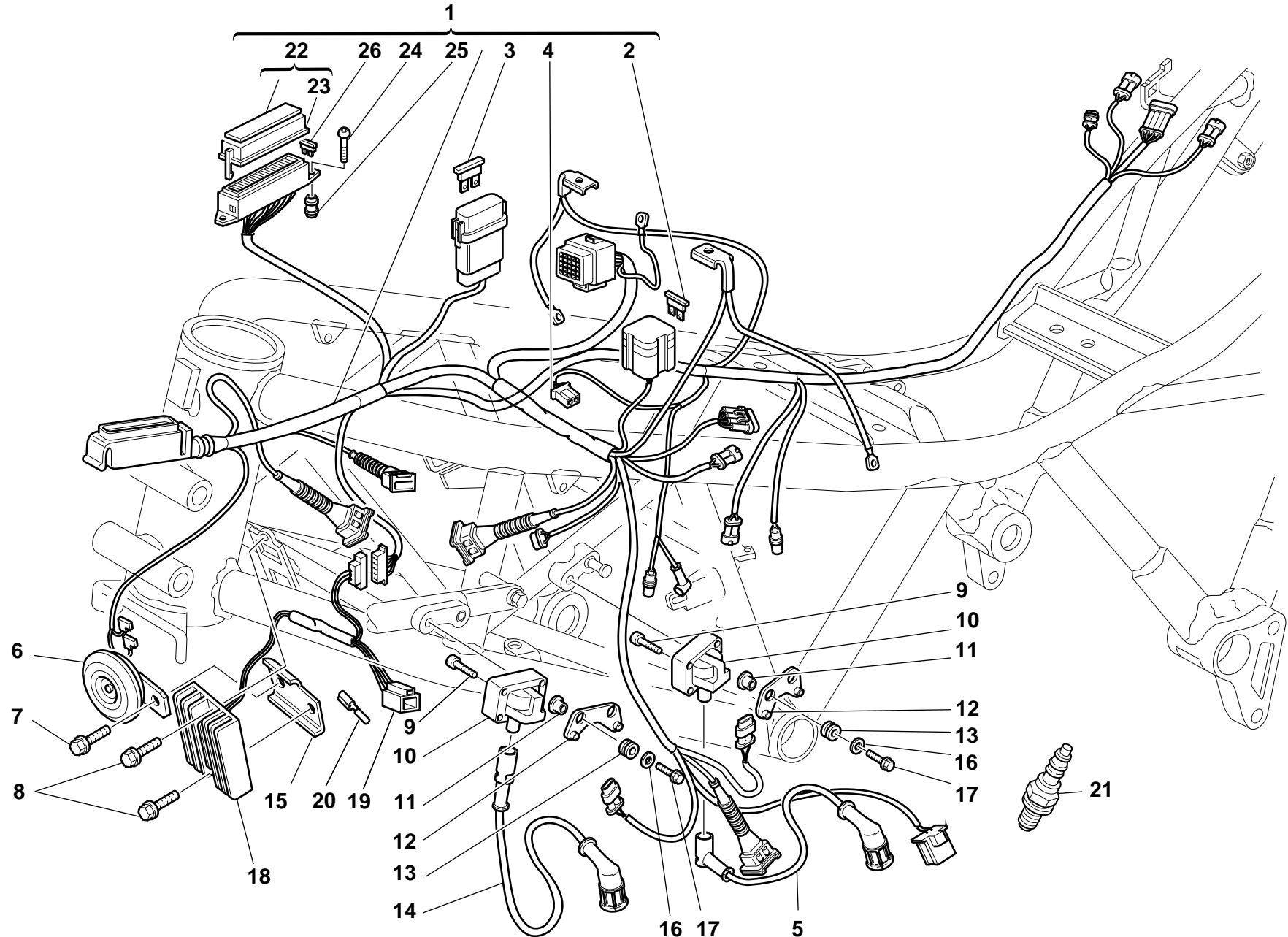
DRAWING **028** OIL COOLER

NOTES	NO.	CODE NO.	DESCRIPTION	VALIDITY	Q.TY	
	1	829.1.109.1A	Guide ring		1	
	2	830.1.170.1A	R.H. bracket		1	
	3	734306N01	Washer		1	
	4	815.1.022.1A	Nipple		2	
	5	60N102511	Screw		1	
	6	700.1.011.1A	Vibration damper		2	
	7	70700.6N02	Screw		2	
	8	841.1.028.1A	Retainer		4	
	9	548.4.030.1A	Oil cooler		1	
	10	220.2.017.6A	Aluminium gasket		2	
	11	875.1.052.1A	Oil delivery pipe		1	
	12	875.1.053.1A	Oil return pipe		1	
	13	80B0.55703	Screw		2	
	14	830.1.171.1A	L.H. bracket		1	
	15	886.5.015.1A	O-Ring		8	

NOTES	NO.	CODE NO.	DESCRIPTION	VALIDITY	Q.TY	
-------	-----	----------	-------------	----------	------	---

DRAWING **029**


**ELECTRIC SYSTEM**



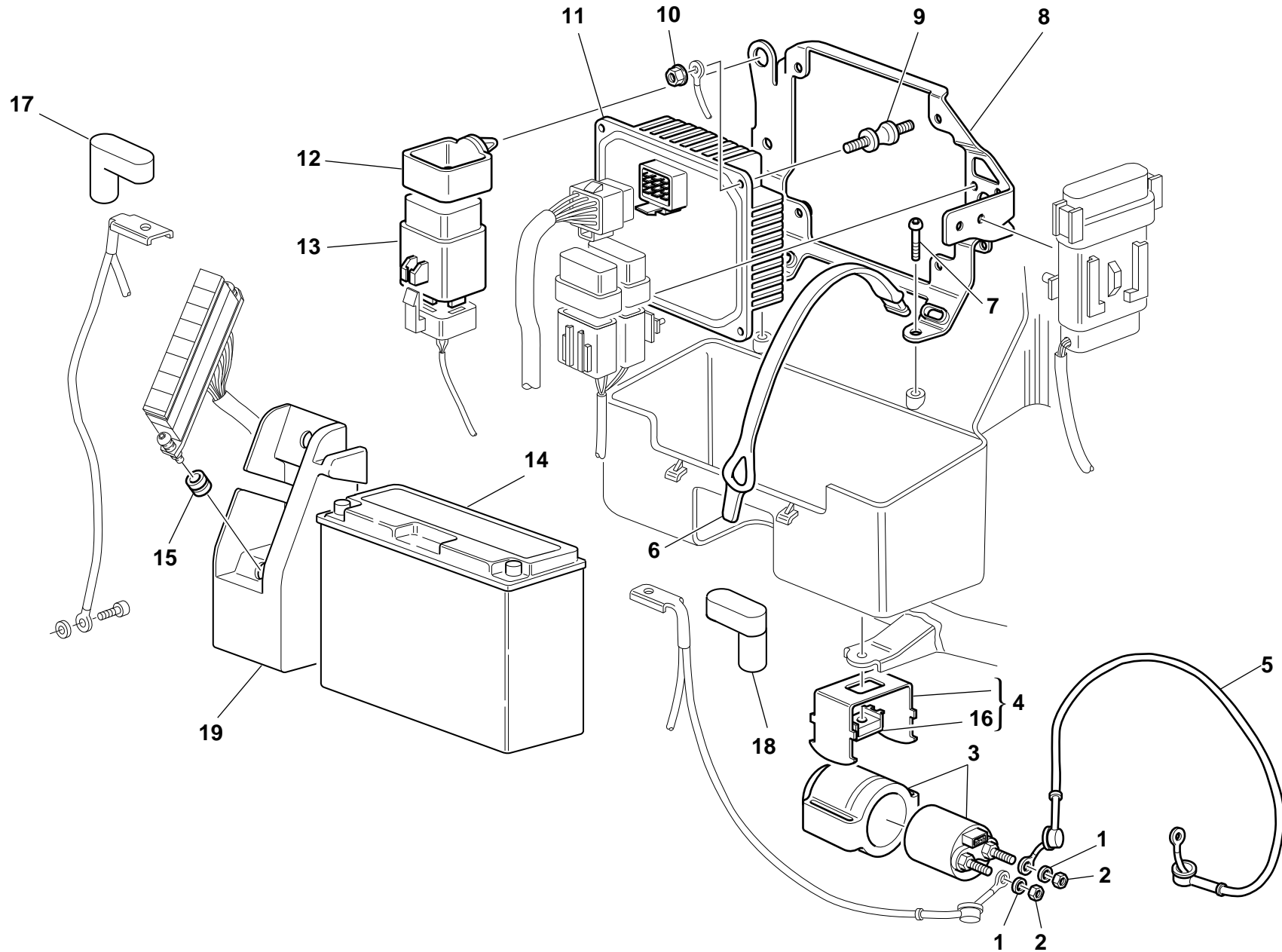


DRAWING **029** **ELECTRIC SYSTEM**


NOTES	NO.	CODE NO.	DESCRIPTION	VALIDITY	Q.TY	
	1	510.1.167.1A	Main wiring		1	
	2	541.4.003.1A	Relay		2	
	3	389.4.012.1A	Fuse 20A		1	
	4	0000.56803	Connector		1	
	5	671.1.012.1A	Vertical head spark plug wiring		1	
	6	516.4.001.1AB	Horn (BLACK)		1	
	7	772.5.008.1A	Screw		1	
	8	772.5.023.1A	Screw		2	
	9	771.5.025.2B	Screw		4	
	10	285.4.003.1A	Coil		2	
	11	0000.44099	Spacer		4	
	12	829.1.096.1A	Holder		2	
	13	0797.72.068	Vibration damper pad		4	
	14	671.1.013.1A	Horizontal head spark plug wiring		1	
	15	827.1.178.1A	Plate		1	
	16	8000.56359	Washer		4	
	17	772.5.024.1A	Screw		4	
	18	540.4.011.1C	Regulator		1	
	19	8000.66526	Connector		1	
	20	8000.66527	End section		4	
	21	670.4.008.1A	Spark plug		2	
	22	246.1.057.1B	Cover		1	
	23	433.1.257.1A	Sticker schema fusibili		1	
	24	779.1.088.1A	Screw		2	
	25	821.1.054.1A	Pin		2	
	26	389.4.006.1A	Fuse 3A		1	

NOTES	NO.	CODE NO.	DESCRIPTION	VALIDITY	Q.TY	
	26	389.4.007.1A	Fuse 7.5A		3	
	26	389.4.008.1A	Fuse 15A		1	
	26	389.4.010.1A	Fuse 30A		1	
	26	389.4.013.1A	Fuse 20A		1	
	26	389.4.015.1A	Fuse 5A		1	

DRAWING **030** BATTERY BOX MOUNT



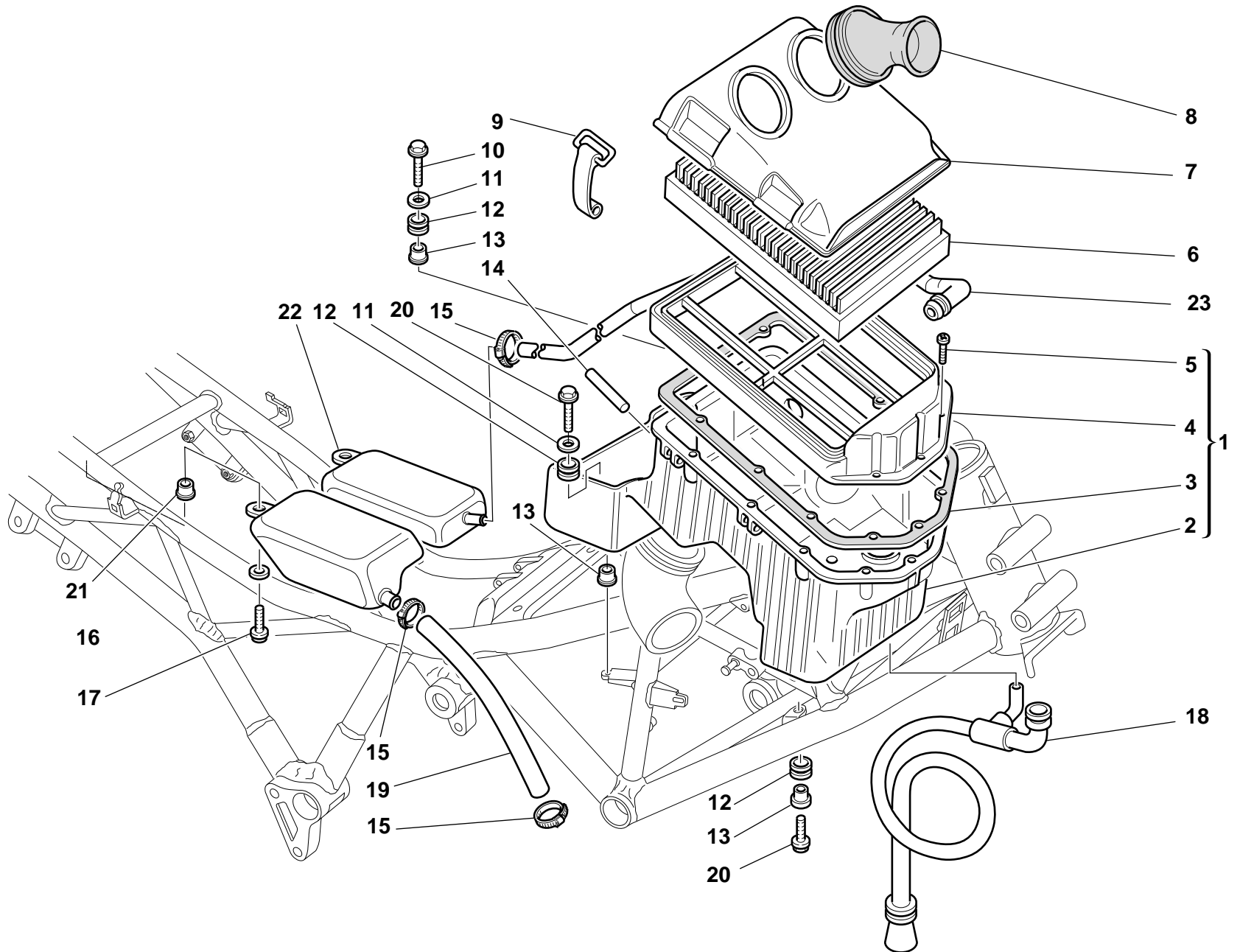
DRAWING **030** BATTERY BOX MOUNT

NOTES	NO.	CODE NO.	DESCRIPTION	VALIDITY	Q.TY	
	1	462.4.037.6A	Spring washer		2	
	2	72430.6001	Nut		2	
	3	397.4.001.1A	Remote switch		1	
	4	829.2.234.1A	Plate		1	
	5	514.1.025.2A	Solenoid starter-starter motor cable		1	
	6	759.1.017.1A	Spring hook		2	
	7	8000.59572	Screw		4	
	8	829.1.230.1B	Plate		1	
	9	700.1.026.1A	Vibration damper pad		4	
	10	748.4.026.1B	Nut		4	
	11	286.4.023.1A	Injection control unit		1	
	12	829.1.127.1A	Holder		1	
	13	287.4.040.2A	Relay		1	
	14	395.4.013.1A	Battery		1	
	15	0797.72.068	Vibration damper pad		2	
	16	0960.91.130	Nut		1	
	17	672.1.023.1A	Terminal cap		1	
	18	672.1.024.1A	Terminal cap(BLACK)		1	
	19	829.1.287.1A	Battery box mount		1	


NOTES	NO.	CODE NO.	DESCRIPTION	VALIDITY	Q.TY	
-------	-----	----------	-------------	----------	------	---

DRAWING **031**

**AIR INDUCTIO AND OIL VENT**

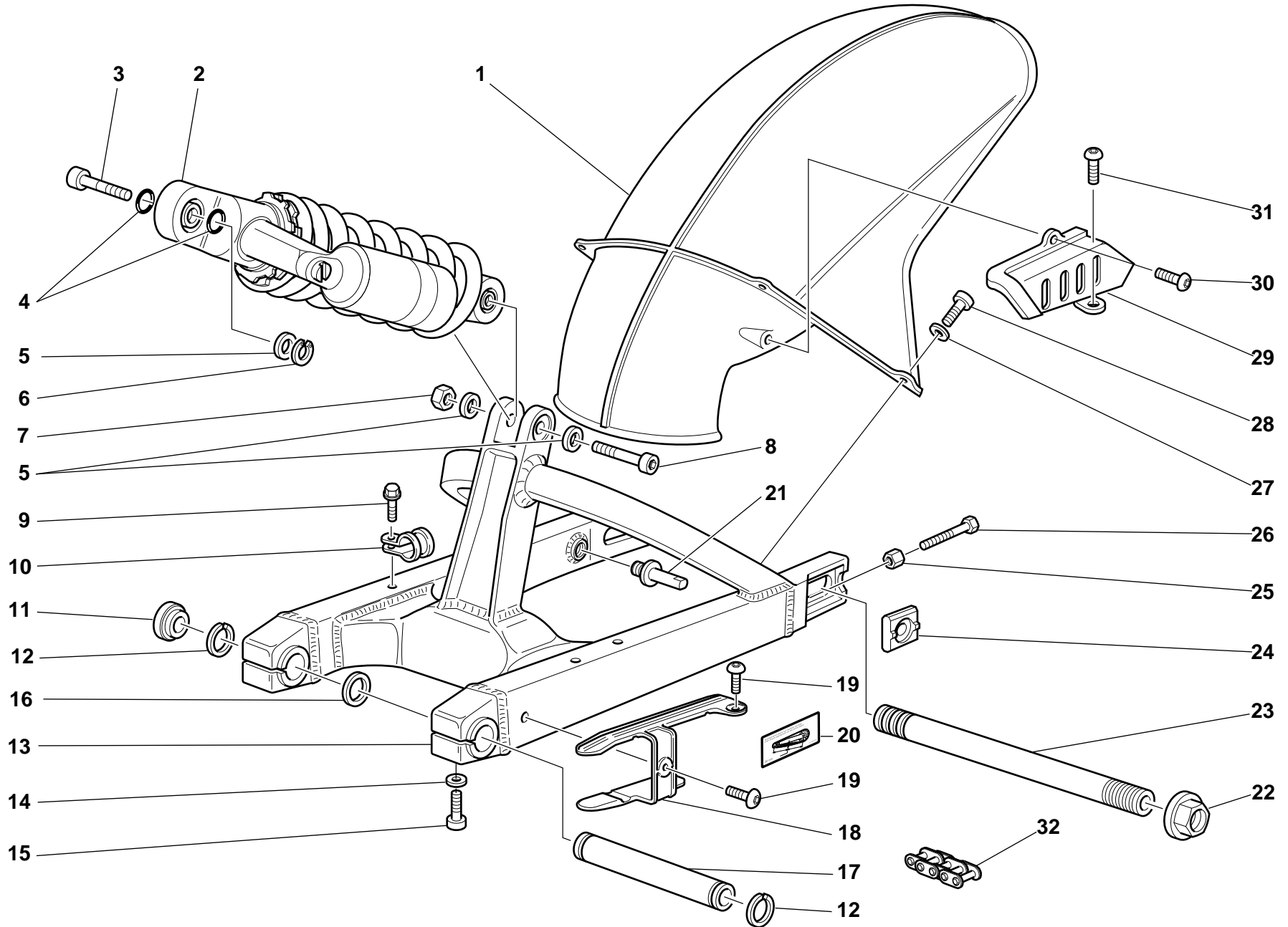


DRAWING **031** AIR INDUCTIO AND OIL VENT

NOTES	NO.	CODE NO.	DESCRIPTION	VALIDITY	Q.TY	
	1	442.2.041.1B	Air filter box		1	
	2	442.1.042.1B	Lower half-case		1	
	3	788.1.027.1A	Gasket		1	
	4	442.1.007.2A	Upper half-case		1	
	5	774.5.002.1A	Self-tapping screw		12	
	6	0370.98.610	Filter element		1	
	7	246.1.046.1B	Filter case cover		1	
	8	135.1.008.2A	Air funnel		2	
	9	760.1.003.1A	Hook		4	
	10	707006N01	Screw		1	
	11	852.5.003.1A	Washer		2	
	12	8000.18048	Rubber pad		4	
	13	713.1.134.1A	Spacer		4	
	14	74223.1045	Spring pin		4	
	15	741.4.002.1A	Clamp		3	
	16	8000.56359	Washer		2	
	17	771.5.667.2B	Screw		2	
	18	877.2.045.1A	Exhaust pipe		1	
	19	876.1.047.3A	Breather pipe		1	
	20	779.5.001.1A	Screw		3	
	21	716.1.051.1A	Spacer		2	
	22	585.1.008.2B	Oil breather tank		1	
	23	876.1.071.1A	Breather pipe		1	


NOTES	NO.	CODE NO.	DESCRIPTION	VALIDITY	Q.TY	
-------	-----	----------	-------------	----------	------	---

DRAWING **032** SWINGARM AND CHAIN

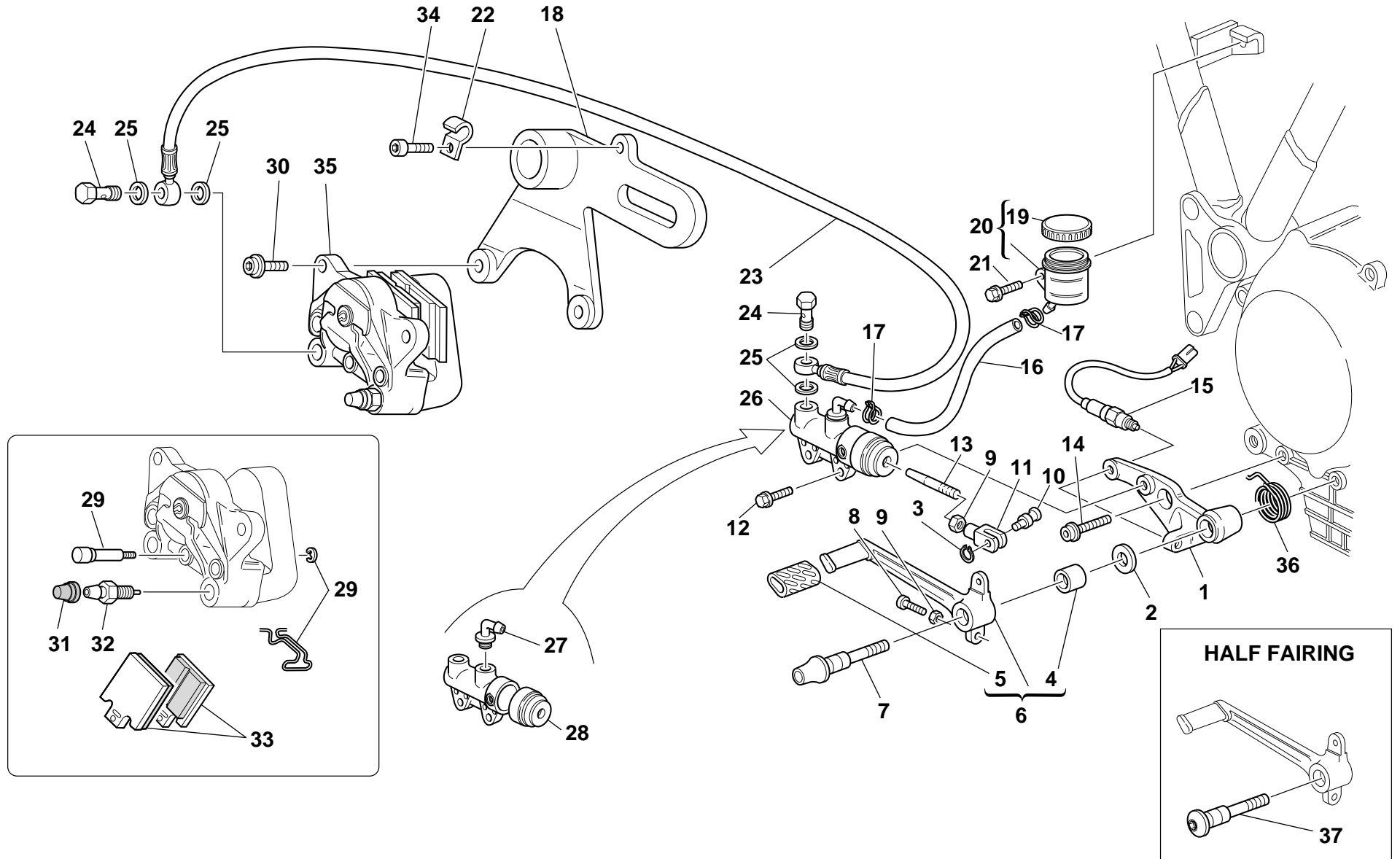


DRAWING **032** **SWINGARM AND CHAIN**

NOTES	NO.	CODE NO.	DESCRIPTION	VALIDITY	Q.TY	
	1	565.1.011.1B	Rear mudguard		1	
	2	365.2.042.1A	Shock absorber		1	
	3	60N102587	Screw		1	
	4	93823.0128	O-ring		2	
	5	734310N01	Washer		3	
	6	734010N01	Spring washer		1	
	7	763110N01	El-stop nut		1	
	8	60N102589	Screw		1	
	9	772.5.005.1A	Screw		1	
	10	741.4.062.1A	Clip		1	
	11	872.1.019.1A	Cap		2	
	12	884.4.007.1A	Snap ring		2	
	13	370.1.009.2C	Swingarm		1	
	14	0670.92.190	Shim th. 2		2	
	15	60N102585	Screw		2	
	16	852.1.001.1A	Shim th. 1.8		2	
	16	852.1.003.1A	Shim th. 0.1		1	
	17	369.1.004.1A	Swingarm pivot		1	
	18	447.1.005.1BB	Chain sliding shoe (GREY)		1	
	19	0370.99.013	Screw		2	
	20	433.1.108.1A	Plate		1	
	21	821.1.033.2B	Locating pin		1	
	22	748.1.008.1A	Nut		2	
	23	819.1.009.1A	Rear wheel spindle		1	
	24	373.1.012.1A	Sliding shoe		2	
	25	750.1.046.1A	Nut		2	


NOTES	NO.	CODE NO.	DESCRIPTION	VALIDITY	Q.TY	
	26	779.1.057.1B	Screw		2	
	27	0364.99.710	Nylon gasket		4	
	28	0364.99.015	Screw		4	
	29	446.1.001.1B	Chain guard		1	
	30	779.1.050.1A	Screw		1	
	31	779.1.009.1A	Screw		1	
	32	676.4.001.3A	Chain		1	


DRAWING **033** REAR HYDRAULIC BRAKE






DRAWING **033** REAR HYDRAULIC BRAKE

NOTES	NO.	CODE NO.	DESCRIPTION	VALIDITY	Q.TY	
	1	829.1.078.1A	Holder		1	
	2	852.1.054.1A	Washer		1	
	3	73500.0624	Circlip		1	
	4	0000.59056	Bush		1	
	5	764.1.011.2A	Rubber pad		1	
	6	457.2.008.1A	Brake control lever		1	
	7	821.1.091.1A	Pedal pin		1	
	8	8000.67981	Threaded dowel		1	
	9	60N115062	Nut		2	
	10	821.1.096.1A	Pin		1	
	11	184.1.001.1A	Fork		1	
	12	772.5.024.1A	Screw		2	
	13	117.1.025.2A	Adjuster rod		1	
	14	771.5.754.2B	Screw		1	
	15	539.4.003.1B	Switch		1	
	16	877.1.066.1A	Tube		1	
	17	741.4.043.1A	Clamp		2	
	18	825.1.018.1A	Caliper holder plate		1	
	19	893.4.005.1A	Cap		1	
	20	585.4.001.1A	Complete oil tank		1	
	21	772.5.025.1A	Screw		1	
	22	827.1.087.1B	Plate		1	
	23	619.4.016.2B	Rear brake line (METAL PLAITED)		1	
	24	779.1.058.2A	Special screw		2	
	25	420.2.001.0A	Gasket th.1		4	
	26	625.4.006.1A	Rear brake pump		1	

NOTES	NO.	CODE NO.	DESCRIPTION	VALIDITY	Q.TY	
	27	631.4.008.1A	Spare union		1	
	28	626.4.013.1A	Dust cover		1	
	29	612.4.016.1A	Spare pins and spring		1	
	30	771.5.723.2B	Screw		2	
	31	612.4.008.1A	Dust seal		1	
	32	0370.39.780	Spare bleed union		2	
	33	613.4.021.1A	Pads pair		1	
	34	60N102505	Screw		1	
	35	611.4.008.1A	Rear brake caliper		1	
	36	799.1.083.1B	Spring		1	
	37	821.1.052.1A	Pedal pin		1	

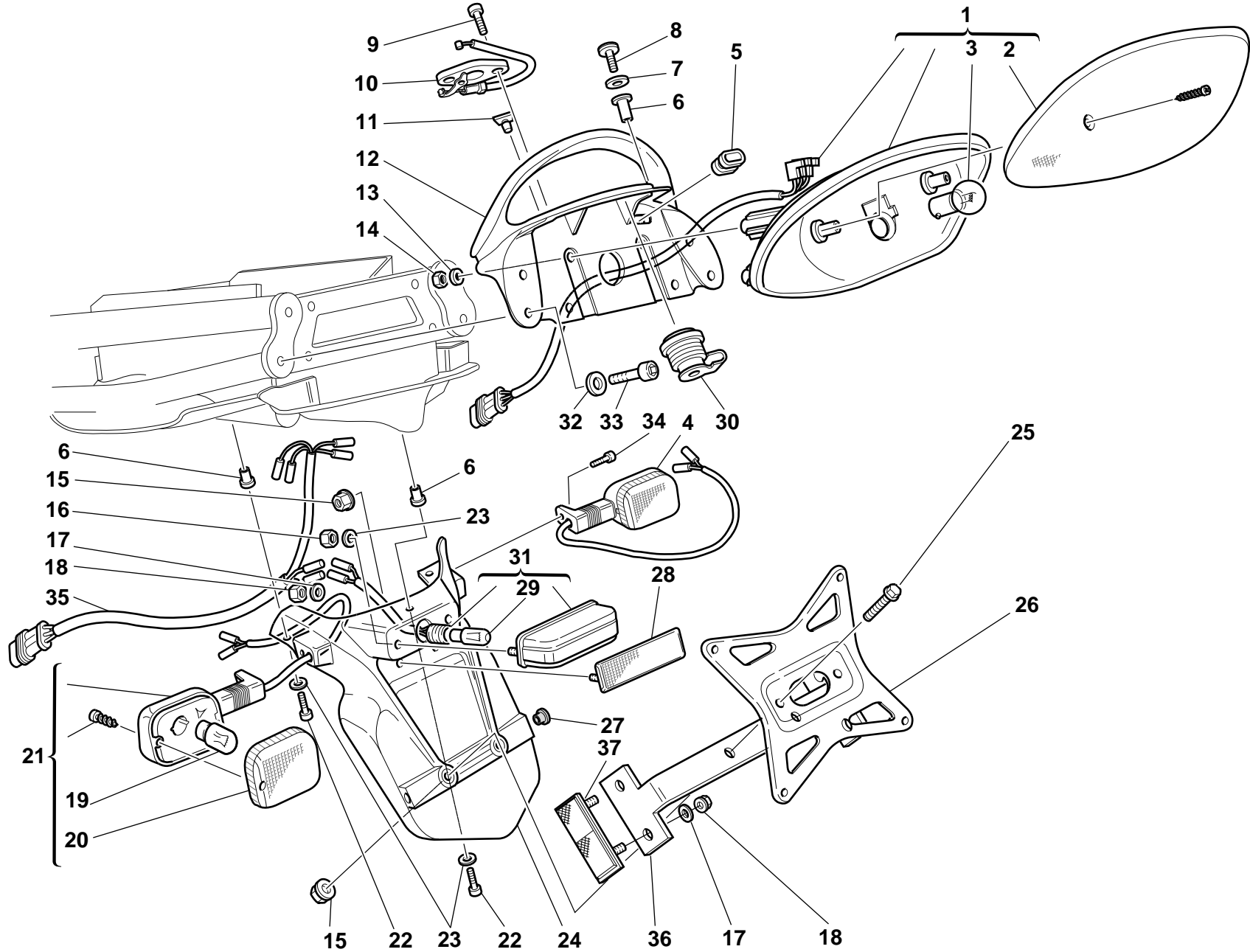


DRAWING **034** **WHEELS**


NOTES	NO.	CODE NO.	DESCRIPTION	VALIDITY	Q.TY	
	1	748.1.014.1B	Fork nut		1	
	2	8000.74049	Speedometer transmission		1	
	3	0000.64471	Seal ring		1	
	4	8000.62648	Transmission capstan		1	
	5	75162.2566	Bearing		4	
	6	714.1.028.1A	Inner spacer		1	
	7	501.2.020.1AA	Front wheel rim		1	
	8	497.2.001.2A	Valve		1	
	9	771.5.721.2B	Screw		12	
	10	492.4.024.1A	Brake disc		2	
	11	819.1.017.1A	Front wheel spindle		1	
	12	748.4.024.1A	Nut		6	
	13	713.1.032.1A	Spacer		1	
	14	884.4.001.1A	Snap ring		1	
	15	494.1.005.3A	Ring gear z=40		1	
	16	0803.77.010	Valve		1	
	17	710.1.006.1A	Bush		1	
	18	160.1.004.1B	Rear sprocket flange		1	
	19	821.1.009.1B	Pin		6	
	20	75163.3268	Bearing		2	
	21	700.1.005.1A	Vibration damper		6	
	22	714.1.040.1A	Inner spacer		1	
	23	502.2.045.1A	Rear wheel rim		1	
	24	492.4.003.2A	Brake disc		1	
	25	771.5.723.2B	Screw		6	
	26	676.2.032.1A	Final drive kit		1	


NOTES	NO.	CODE NO.	DESCRIPTION	VALIDITY	Q.TY	
-------	-----	----------	-------------	----------	------	---

DRAWING **035** NUMBER PLATE HOLDER

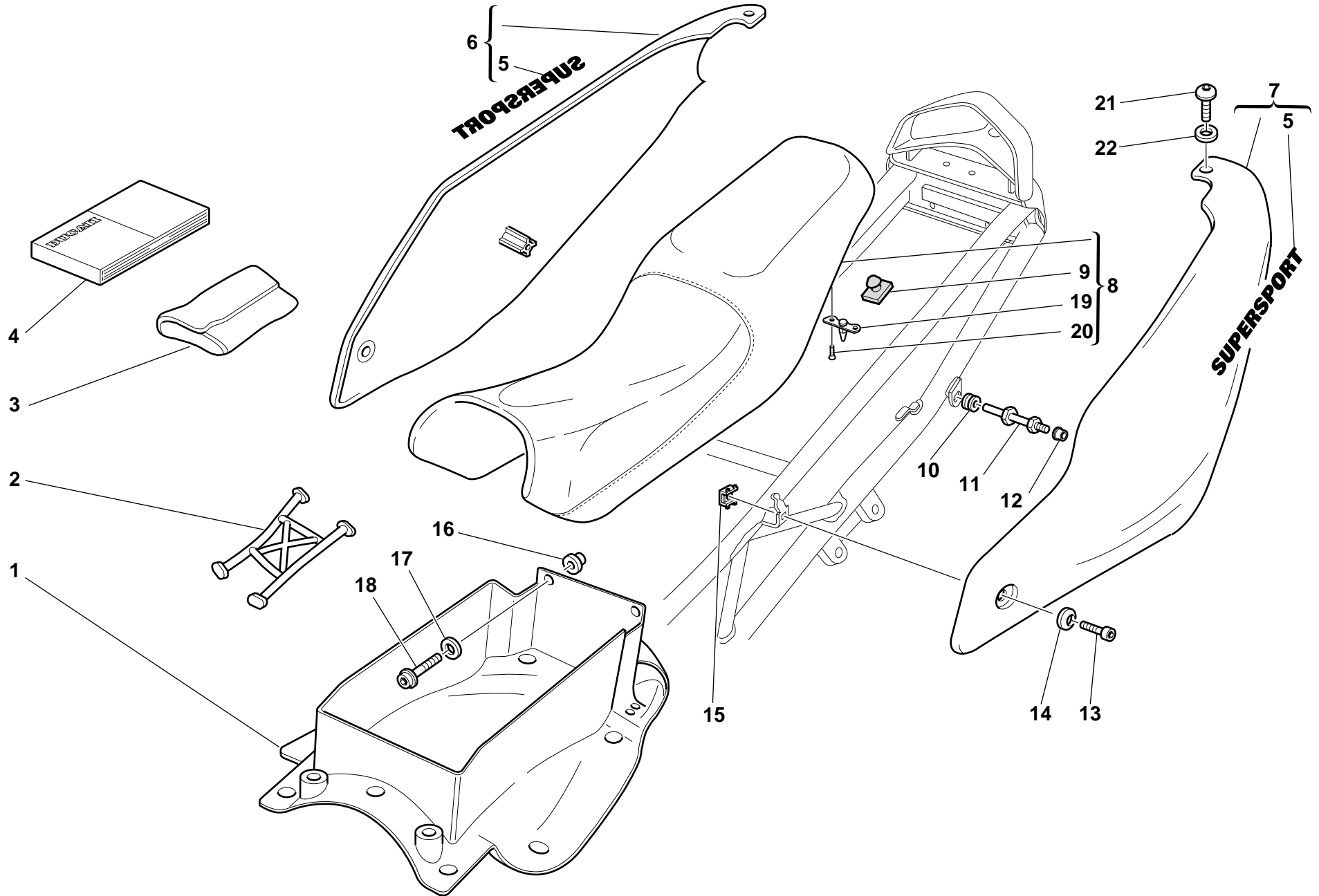


DRAWING **035** NUMBER PLATE HOLDER

NOTES	NO.	CODE NO.	DESCRIPTION	VALIDITY	Q.TY	
	1	525.4.014.1A	Tail lamp		1	
	2	532.4.003.1A	Lens		1	
	3	390.4.003.1A	Two-light bulb 12V 5/21W		1	
	4	8000.74504	Turn indicator		1	
	5	829.1.231.1A	Fairlead rubber ring		1	
	6	8000.63150	Insert		7	
	7	8000.63161	Washer		2	
	8	8000.65535	Screw		2	
	9	777.5.038.2B	Screw		2	
	10	732.2.009.1A	Seat lock		1	
	11	866.1.036.1A	Rubber pad		2	
	12	806.1.014.0A	Handle (unpainted)		1	
	12	806.1.014.1AA	Red handle		1	
	12	806.1.014.1AB	Yellow handle		1	
	13	734305N01	Washer		4	
	14	749.5.002.1A	El-stop nut		4	
	15	8000.44240	Nut		4	
	16	8000.56443	Nut		2	
	17	852.5.001.1A	Washer		6	
	18	749.5.001.1A	Nut		6	
	19	8000.36726	Bulb		2	
	20	8000.74507	Cup		2	
	21	8000.74505	Turn indicator		1	
	22	771.5.043.2B	Screw		5	
	23	60N115548	Washer		7	
	24	561.1.013.2A	Number plate holder		1	


NOTES	NO.	CODE NO.	DESCRIPTION	VALIDITY	Q.TY	
	25	772.5.024.1A	Screw		2	
	26	561.1.019.1A	Plate		1	
	27	417.7.007.1A	Cap		2	
	28	529.1.006.1A	Cat's eye		1	
	29	8000.36230	Bulb		1	
	30	598.2.023.1A	Seat lock		1	
	31	525.1.004.2A	Tail lamp		1	
	32	734306N01	Washer		4	
	33	60N102509	Screw		4	
	34	771.5.667.2B	Screw		2	
	35	510.1.121.1A	Electric wiring		1	
	36	829.1.136.1A	Holder		1	
	37	529.1.008.1AB	Cat's eye (AMBER)		2	

DRAWING **036** SEAT

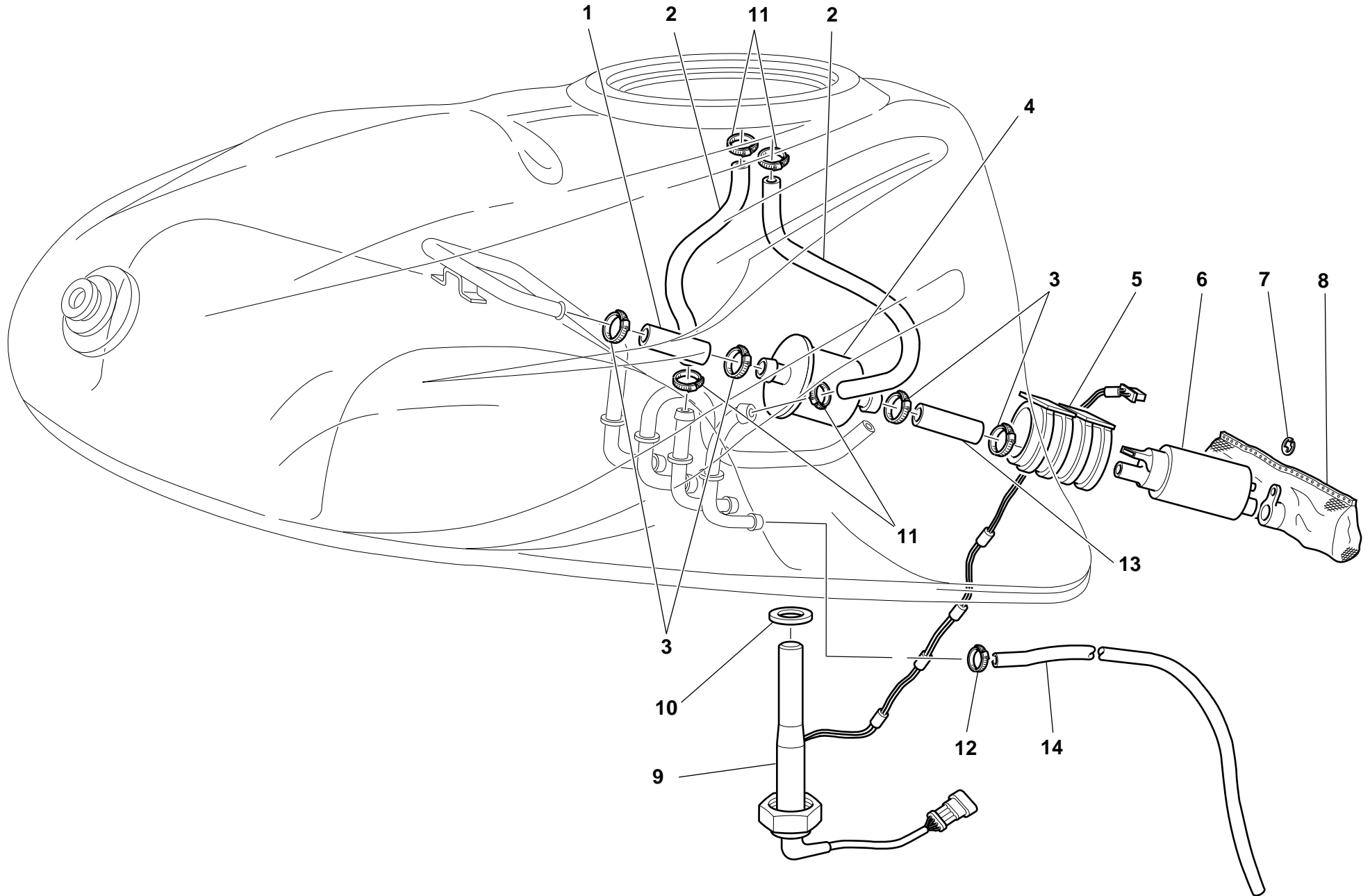


DRAWING **036** SEAT

NOTES	NO.	CODE NO.	DESCRIPTION	VALIDITY	Q.TY	
	1	559.1.006.1A	Panel		1	
	2	0000.61172	Rubber		1	
	3	697.2.010.1B	Tool bag		1	
	4	913.7.066.1D	Owner's manual		1	
	5	436.1.030.1AA	Sticker "Supersport" (RED)		2	
	5	436.1.030.1AB	Sticker "Supersport" (YELLOW)		2	
	6	482.1.025.1BA	R.H. body panel (RED)		1	
	6	482.1.025.1BB	R.H. body panel (YELLOW)		1	
	6	482.3.025.1A	R.H. body panel (unpainted)		1	
	7	482.1.026.1BA	L.H. body panel (RED)		1	
	7	482.1.026.1BB	L.H. body panel (YELLOW)		1	
	7	482.3.026.1A	L.H. body panel (unpainted)		1	
	8	595.1.038.1B	Seat		1	
	9	866.1.030.1A	Rubber pad		6	
	10	0361.91.730	Rubber pad		2	
	11	821.1.089.1A	Pin		2	
	12	850.4.010.1A	Threaded insert		2	
	13	779.5.001.1A	Screw		2	
	14	841.1.028.1A	Retainer		2	
	15	0960.91.130	Nut		2	
	16	716.1.051.1A	Spacer		2	
	17	8000.56359	Washer		2	
	18	771.5.667.2B	Screw		2	
	19	829.2.232.1A	Holder		1	
	20	777.5.049.2C	Screw		2	
	21	775.1.011.1A	Screw		2	


NOTES	NO.	CODE NO.	DESCRIPTION	VALIDITY	Q.TY	
	22	8000.63161	Washer		2	

DRAWING **037** FUEL SYSTEM



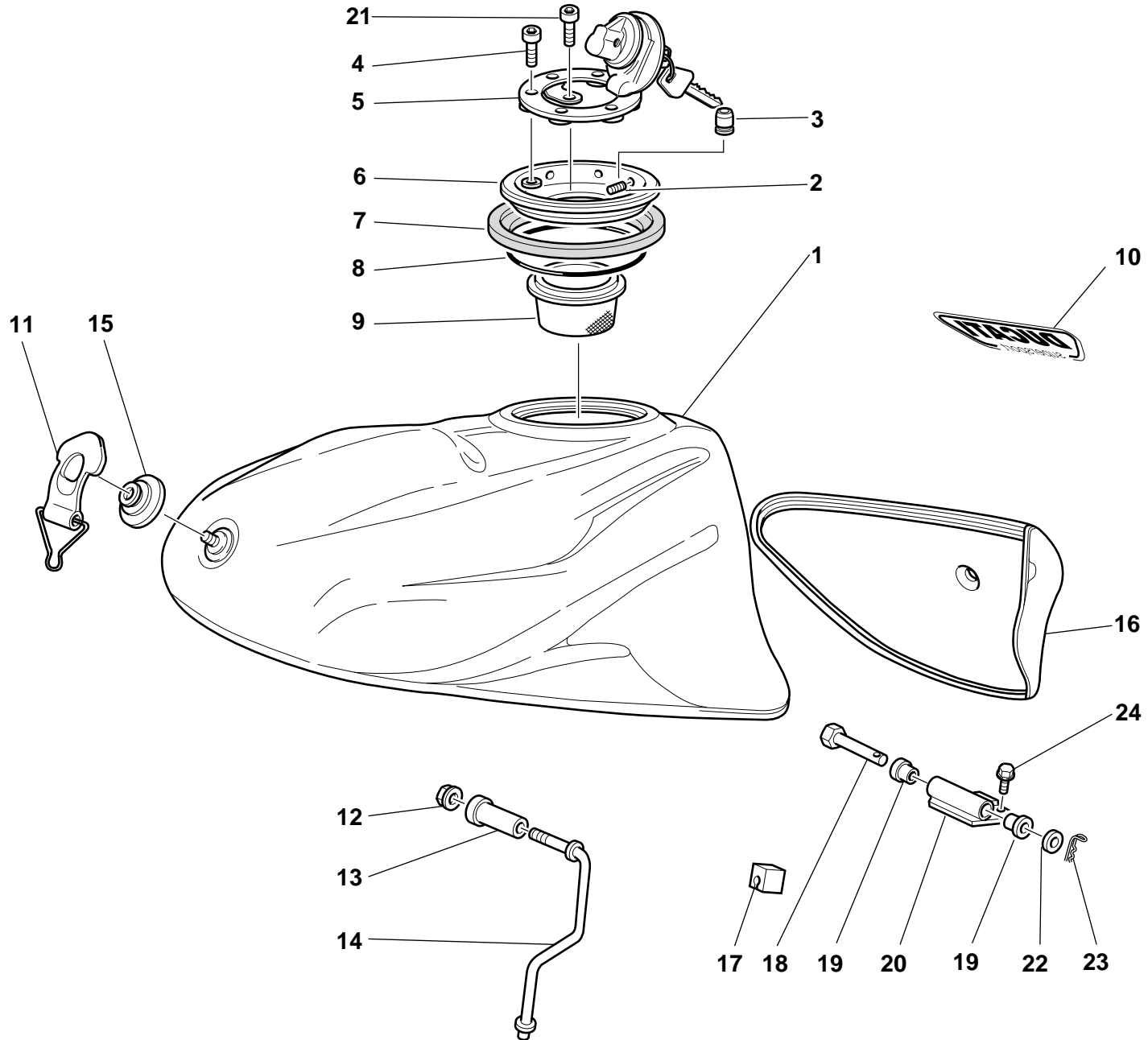


DRAWING **037** **FUEL SYSTEM**

NOTES	NO.	CODE NO.	DESCRIPTION	VALIDITY	Q.TY	
	1	590.1.179.1A	Tube		1	
	2	590.1.027.1A	Tube		2	
	3	741.4.064.1A	Clamp		4	
	4	425.4.004.1B	Fuel filter		1	
	5	829.1.021.2A	Holder		1	
	6	430.4.004.1A	Fuel pump		1	
	7	884.4.012.1A	Circlip		1	
	8	425.4.008.1A	Fuel filter		1	
	9	592.1.005.2B	Low fuel sensor		1	
	10	789.1.001.1A	Gasket		1	
	11	741.4.008.2A	Clamp		4	
	12	741.4.066.1A	Clamp		2	
	13	590.1.056.3A	Filter/pump pipe		1	
	14	590.1.101.1B	Exhaust pipe		1	

NOTES	NO.	CODE NO.	DESCRIPTION	VALIDITY	Q.TY	
-------	-----	----------	-------------	----------	------	---

DRAWING **038** FUEL TANK

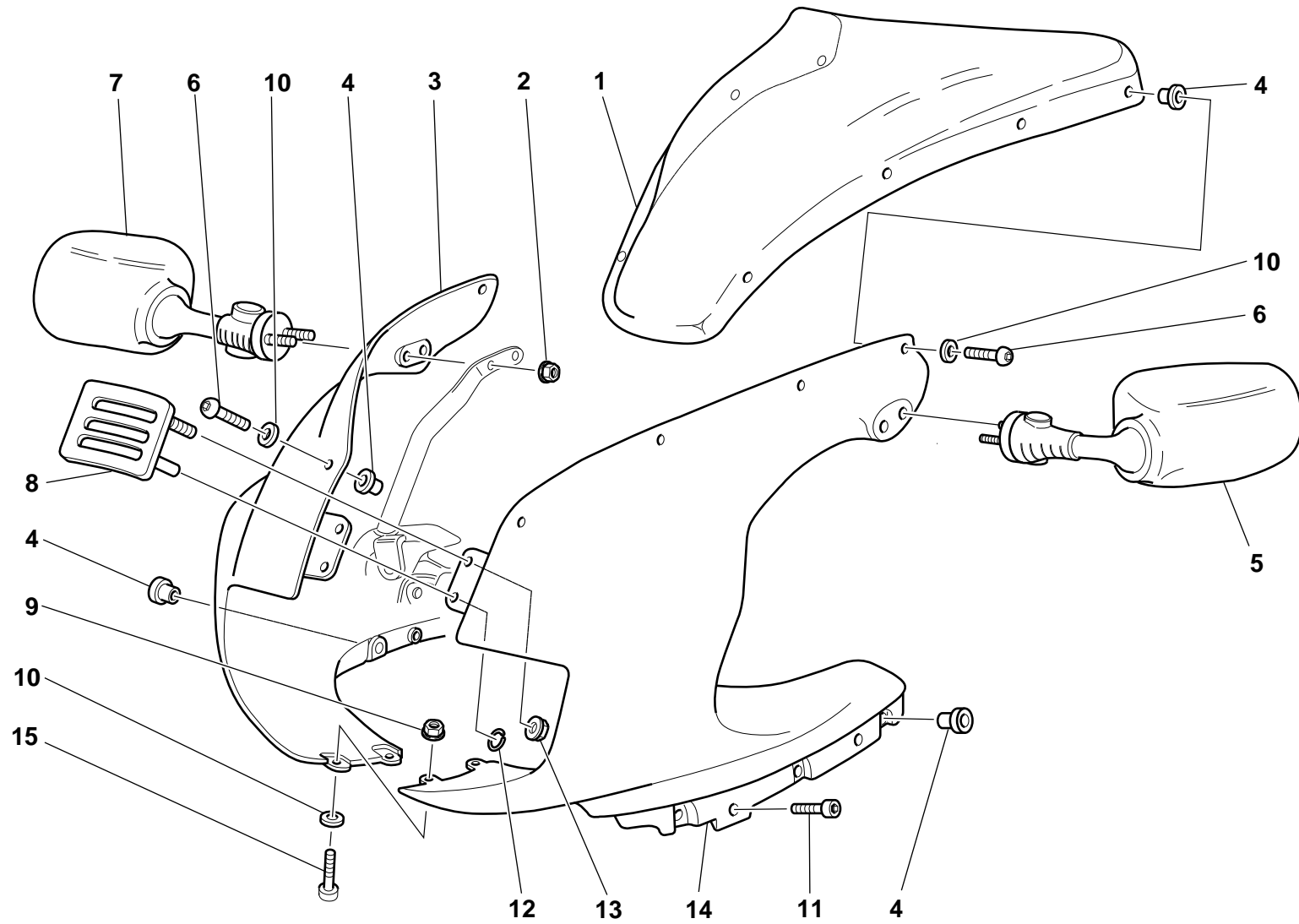


DRAWING **038** **FUEL TANK**


NOTES	NO.	CODE NO.	DESCRIPTION	VALIDITY	Q.TY	
	1	586.1.030.1DA	Fuel tank (RED)		1	
	1	586.1.030.1DB	Fuel tank (YELLOW)		1	
	1	586.3.030.1A	Fuel tank (unpainted)		1	
	2	779.5.007.1A	Screw		8	
	3	791.1.039.1A	Gasket		1	
	4	771.5.045.7E	Screw		3	
	5	895.4.001.2A	Tank cap		1	
	6	160.1.013.1B	Cap		1	
	7	791.1.015.1A	Gasket		1	
	8	886.4.011.1A	O-Ring		1	
	9	802.1.005.1A	Hose		1	
	10	435.1.030.1AA	Sticker "DUCATI"		1	
	11	759.2.016.1A	Belt		1	
	12	850.4.012.1A	Quik fastening		1	
	13	712.1.009.1A	Bush		1	
	14	117.1.017.1A	Rod		1	
	15	835.1.002.1A	Knob		1	
	16	723.1.005.1C	Cap		1	
	17	764.1.010.1A	Rubber pad		1	
	18	821.1.028.1B	Pin		1	
	19	712.1.013.1A	Bush		2	
	20	827.2.134.1A	Plate		1	
	21	771.5.040.2B	Screw		1	
	22	80C0.05893	Shim		2	
	23	8000.62705	Split pin		1	
	24	772.5.025.1A	Screw		2	

NOTES	NO.	CODE NO.	DESCRIPTION	VALIDITY	Q.TY	
-------	-----	----------	-------------	----------	------	---

DRAWING **039** HEADLIGHT FAIRING



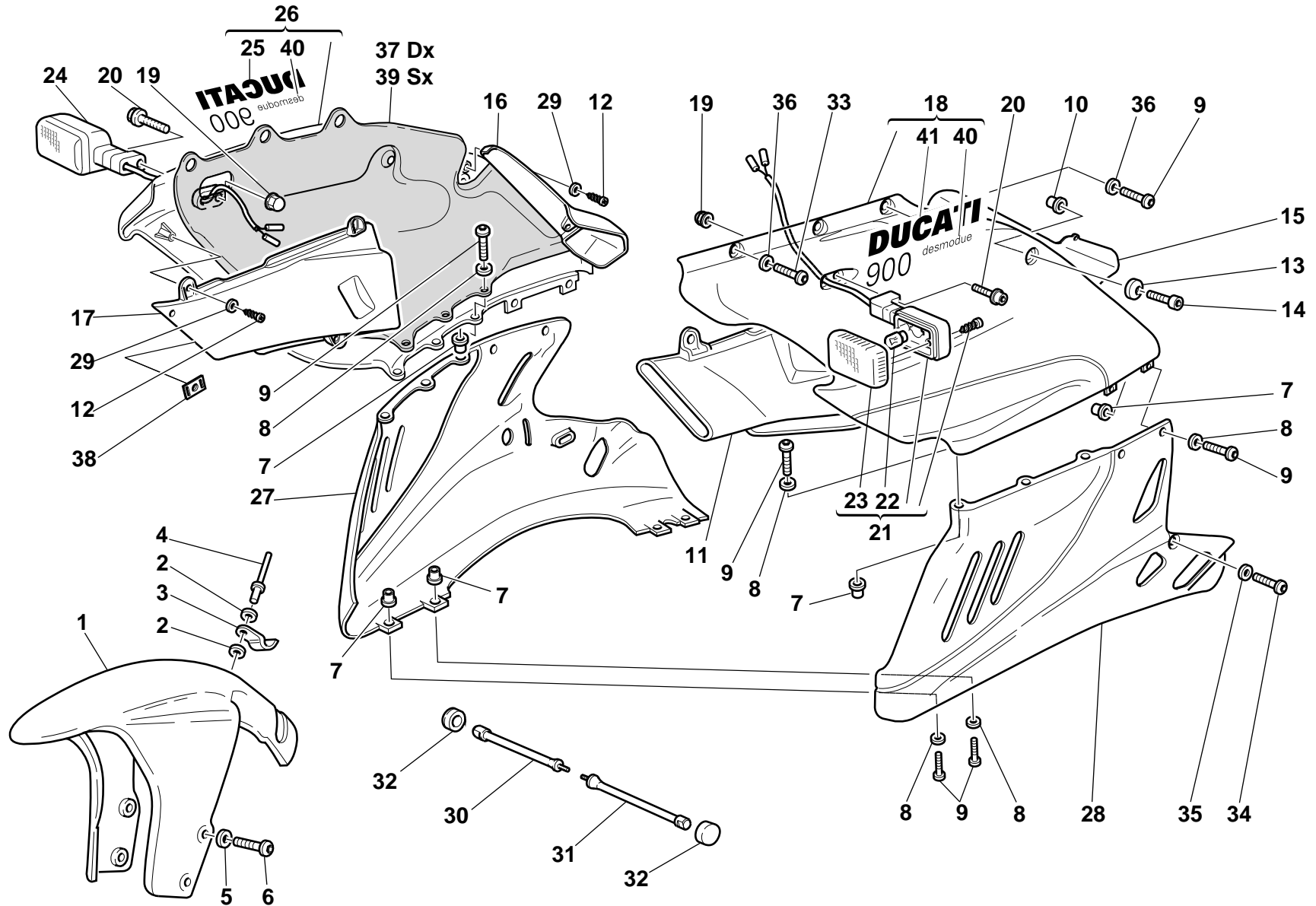
DRAWING **039** HEADLIGHT FAIRING

NOTES	NO.	CODE NO.	DESCRIPTION	VALIDITY	Q.TY	
	1	487.2.018.2A	Windshield		1	
	2	8000.44240	Nut		4	
	3	481.1.019.1AA	Half-Headlight fairing R.H.(RED)		1	
	3	481.1.019.1AB	Half-Headlight fairing R.H. (YELLOW)		1	
	3	481.3.019.1A	Half-Headlight fairing R.H. (unpainted)		1	
	4	0000.63150	Insert		14	
	5	523.4.011.1A	L.H. rear-view mirror		1	
	6	779.1.088.1A	Screw		8	
	7	523.4.010.1A	R.H. rear-view mirror		1	
	8	247.1.112.1B	Cover		1	
	9	8000.56443	Nut		2	
	10	0000.63161	Washer		10	
	11	779.5.010.1A	Screw		4	
	12	850.4.037.1A	Quik fastening		2	
	13	748.4.026.1B	Nut		2	
	14	481.1.020.1AA	Half-Headlight fairing L.H.(RED)		1	
	14	481.1.020.1AB	Half-Headlight fairing L.H. (YELLOW)		1	
	14	481.3.020.1A	Half-Headlight fairing L.H. (unpainted)		1	
	15	8BB0.61070	Screw		2	

NOTES	NO.	CODE NO.	DESCRIPTION	VALIDITY	Q.TY	
-------	-----	----------	-------------	----------	------	---

DRAWING 040

FAIRING



DRAWING **040** FAIRING

NOTES	NO.	CODE NO.	DESCRIPTION	VALIDITY	Q.TY	
	1	564.1.018.1A	Front mudguard (RED)		1	
	1	564.1.018.1AB	Front mudguard (YELLOW)		1	
	1	564.3.018.1A	Front mudguard (unpainted)		1	
	2	852.1.075.1A	Washer		2	
	3	850.1.003.1A	Clip		1	
	4	736.4.013.1B	Shear rivet		1	
	5	856.1.042.1A	Nylon washer		4	
	6	772.5.023.1A	Screw		4	
	7	8000.63150	Insert		18	
	8	8000.63161	Washer		18	
	9	775.1.011.1A	Screw		22	
	10	0364.99.020	Bush		2	
	11	484.1.033.1A	L.H. air manifold		1	
	12	72237.0658	Screw		10	
	13	841.1.028.1A	Retainer		2	
	14	779.5.001.1A	Screw		2	
	15	484.1.036.1A	L.H. Air deflector		1	
	16	484.1.035.1A	R.H. air deflector		1	
	17	484.1.032.1A	R.H. air manifold		1	
	18	480.1.082.1BA	L.H. upper half-fairing (RED)		1	
	18	480.1.082.1BB	L.H. upper half-fairing (YELLOW)		1	
	18	480.3.082.1A	L.H. upper half-fairing (unpainted)		1	
	19	8000.44240	Nut		2	
	20	771.5.667.2B	Screw		2	
	21	8000.74504	Turn indicator		1	
	22	8000.36726	Bulb		2	

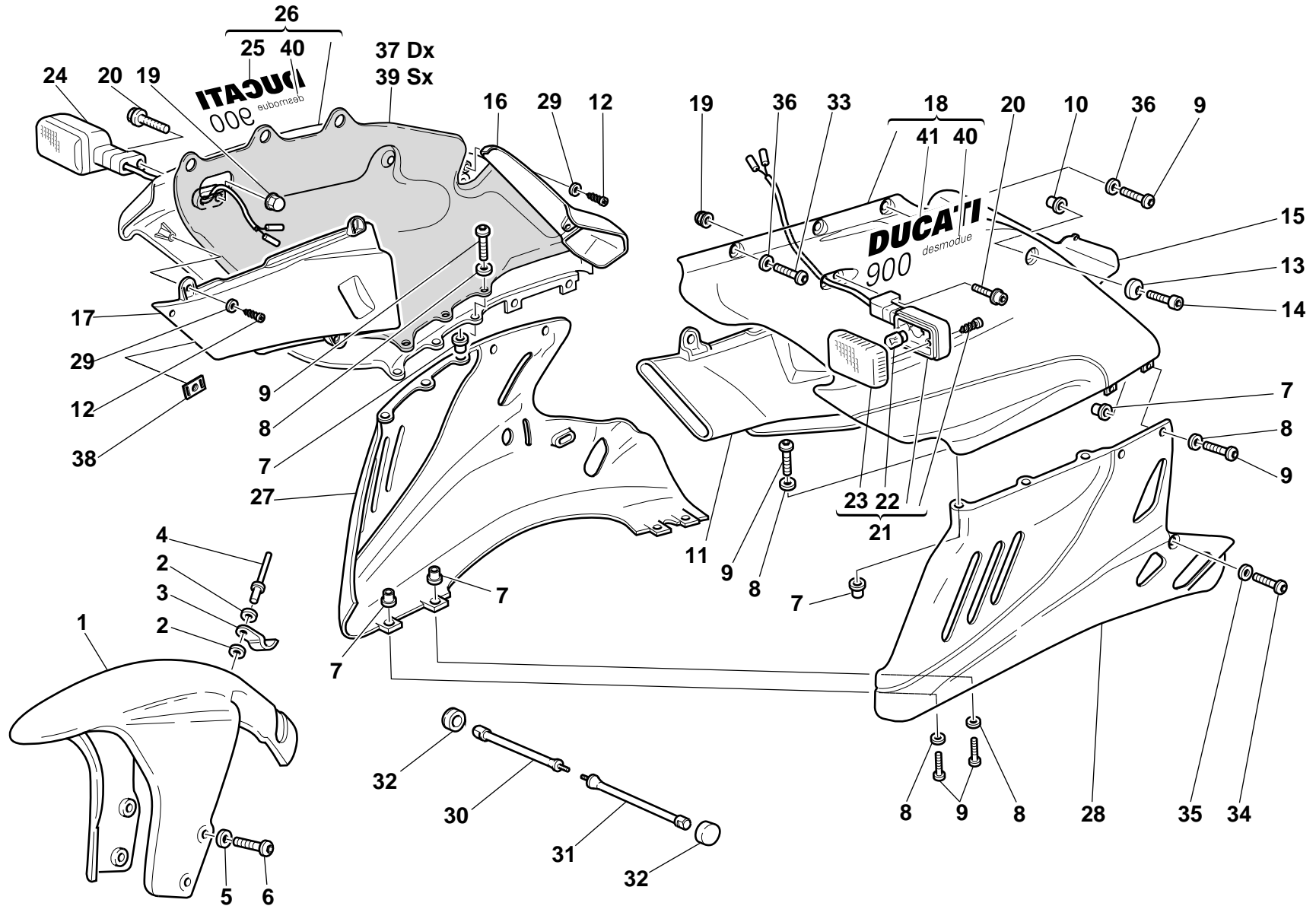
CATALOGUE No: **915.1.061.1D**  
ISSUED: **05 - 00**

NOTES	NO.	CODE NO.	DESCRIPTION	VALIDITY	Q.TY	
	23	8000.74507	Cup		2	
	24	8000.74505	Turn indicator		1	
	25	437.1.105.1AA	Sticker "DUCATI900" (RED)		1	
	25	437.1.105.1AB	Sticker "DUCATI900" (YELLOW)		1	
	26	480.1.081.1BA	R.H. upper half-fairing (RED)		1	
	26	480.1.081.1BB	R.H. upper half-fairing (YELLOW)		1	
	26	480.3.081.1A	R.H. upper half-fairing (unpainted)		1	
	27	480.1.083.1AA	R.H. lower half-fairing (RED)		1	
	27	480.1.083.1AB	R.H. lower half-fairing (YELLOW)		1	
	27	480.3.083.1A	R.H. lower half-fairing (unpainted)		1	
	28	480.1.084.1BA	L.H. lower half-fairing (RED)		1	
	28	480.1.084.1BB	L.H. lower half-fairing (YELLOW)		1	
	28	480.3.084.1A	L.H. lower half-fairing (unpainted)		1	
	29	852.5.002.1A	Washer		10	
	30	684.1.042.1A	R.H. Stud bolt		1	
	31	684.1.043.1A	L.H. stud bolt		1	
	32	0000.17847	Rubber hose		2	
	33	775.1.013.1A	Screw		2	
	34	775.1.008.1A	Screw		2	
	35	856.1.040.1A	Nylon washer		2	
	36	856.4.002.1A	Washer		6	
	37	486.1.054.1A	R.H. side panel		1	
	38	850.4.039.1A	Quik fastening		2	
	39	486.1.055.1A	L.H. side panel		1	
	40	437.1.108.1AA	Sticker "DESMODUE" (RED)		1	
	40	437.1.108.1AB	Sticker "DESMODUE" (YELLOW)		1	

CATALOGUE No: **915.1.061.1D**  
ISSUED: **05 - 00**


DRAWING 040

FAIRING



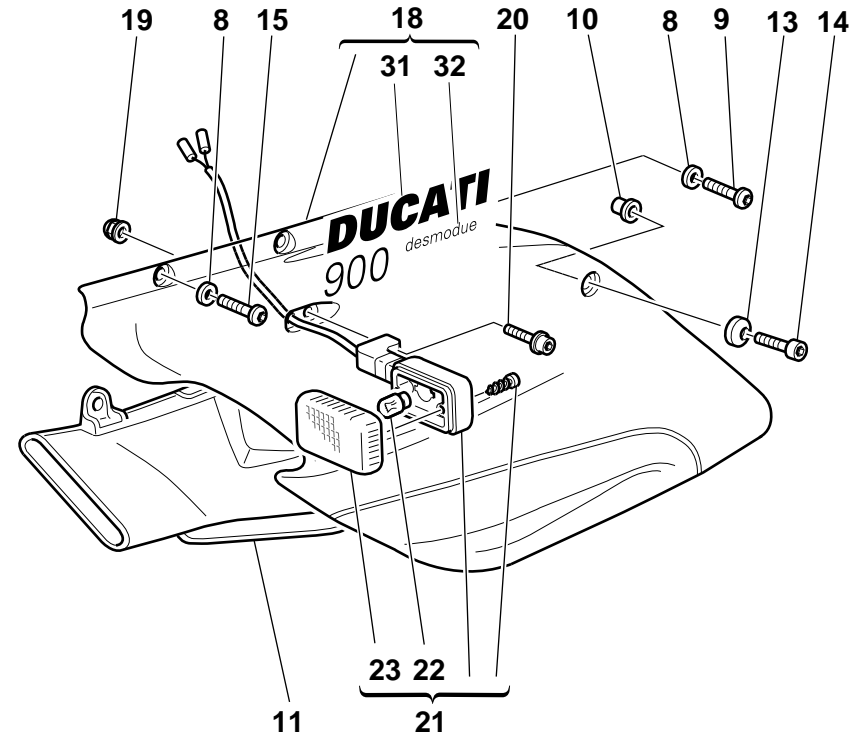
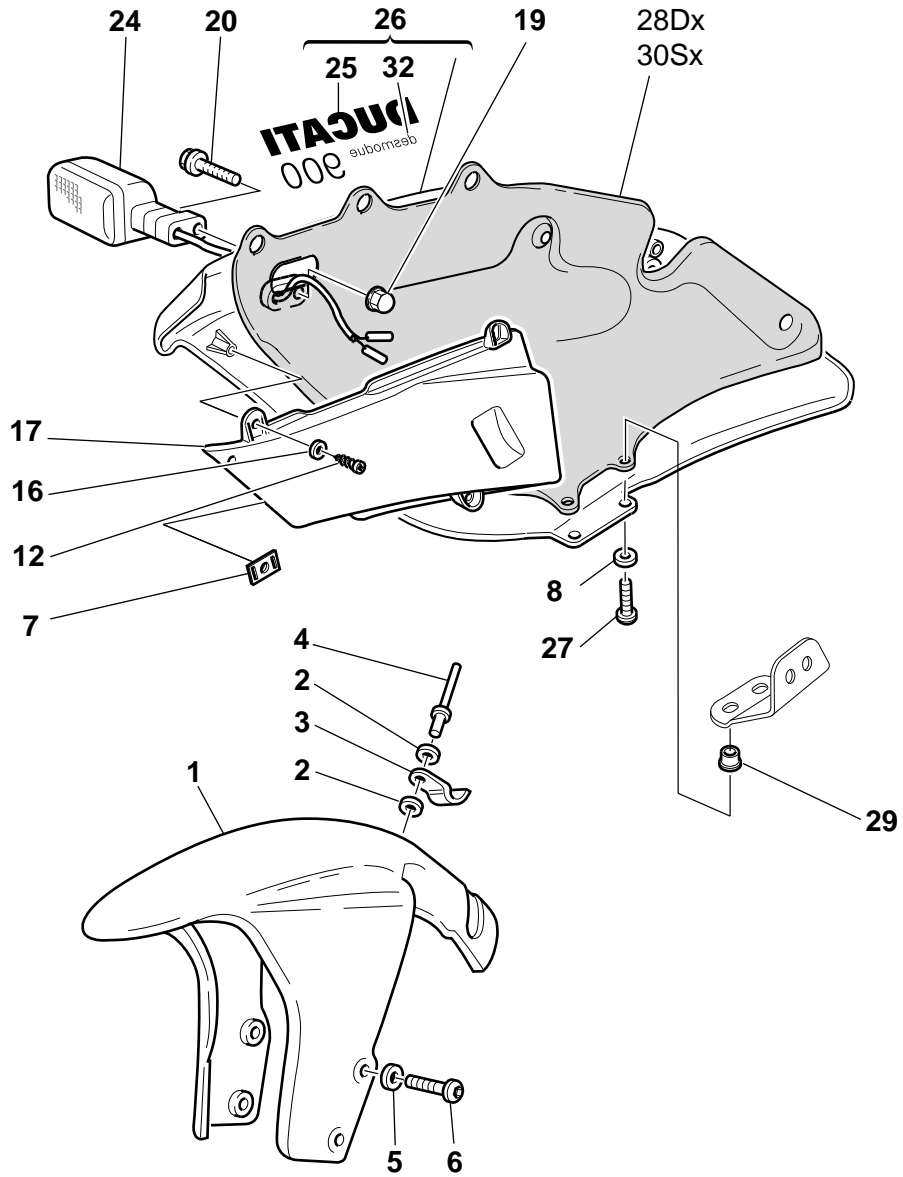


DRAWING **040** FAIRING

NOTES	NO.	CODE NO.	DESCRIPTION	VALIDITY	Q.TY	
41		437.1.104.1AA	Sticker "DUCATI900" (RED)		1	
41		437.1.104.1AB	Sticker "DUCATI900" (YELLOW)		1	


NOTES	NO.	CODE NO.	DESCRIPTION	VALIDITY	Q.TY	
-------	-----	----------	-------------	----------	------	---

DRAWING **040.1** HALF FAIRING

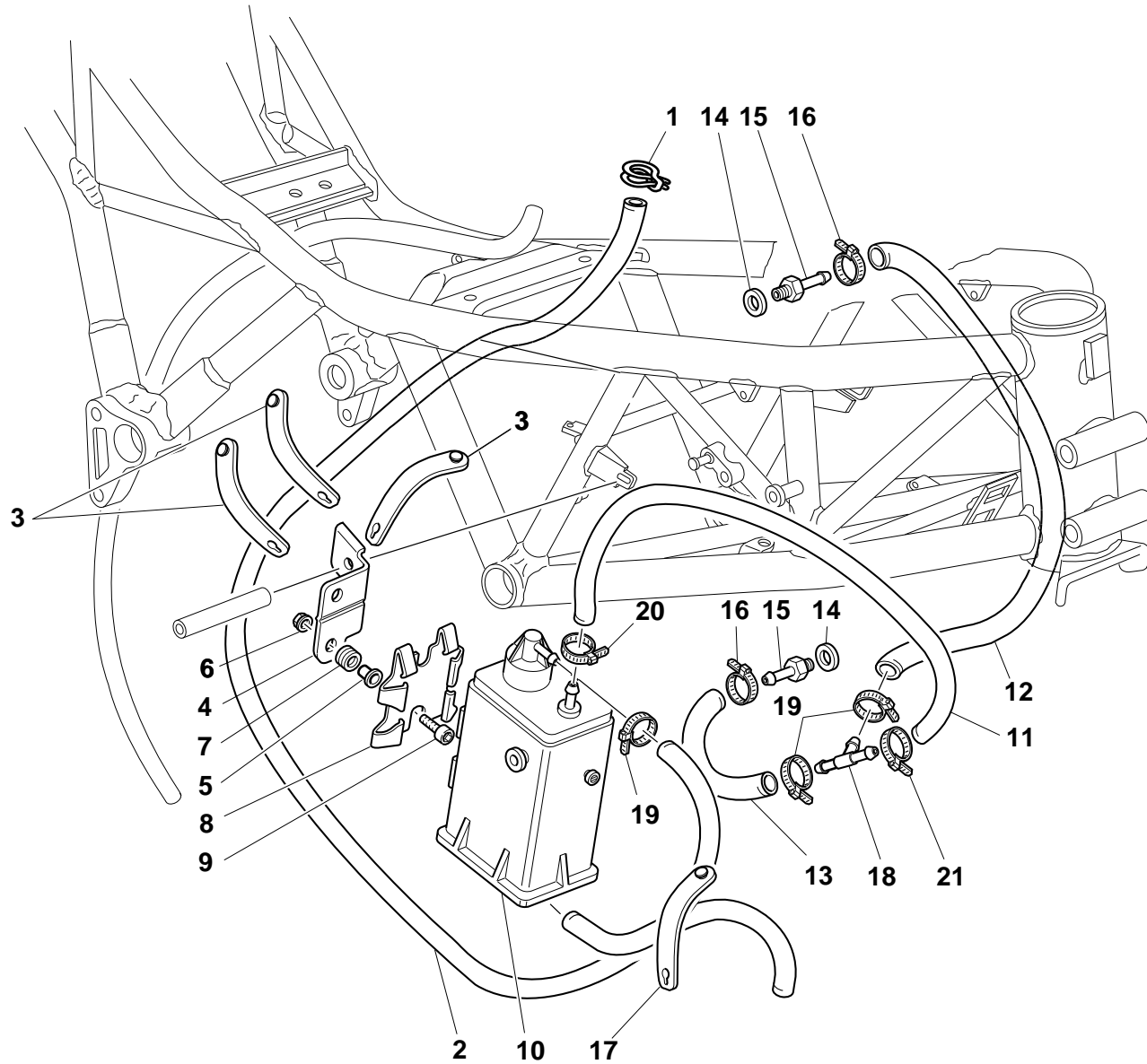


DRAWING **040.1** HALF FAIRING


NOTES	NO.	CODE NO.	DESCRIPTION	VALIDITY	Q.TY	
	1	564.1.018.1A	Front mudguard (RED)		1	
	1	564.1.018.1AB	Front mudguard (YELLOW)		1	
	1	564.3.018.1A	Front mudguard (unpainted)		1	
	2	852.1.075.1A	Washer		2	
	3	850.1.003.1A	Clip		1	
	4	736.4.013.1B	Shear rivet		1	
	5	856.1.042.1A	Nylon washer		4	
	6	772.5.024.1A	Screw		4	
	7	850.4.039.1A	Quik fastening		2	
	8	856.4.002.1A	Washer		10	
	9	775.1.011.1A	Screw		4	
	10	0364.99.020	Bush		2	
	11	484.1.033.1A	L.H. air manifold		1	
	12	72237.0658	Screw		6	
	13	841.1.028.1A	Retainer		2	
	14	779.5.001.1A	Screw		2	
	15	775.1.013.1A	Screw		2	
	16	852.5.002.1A	Washer		6	
	17	484.1.032.1A	R.H. air manifold		1	
	18	480.1.086.1BA	L.H. half- fairing (RED)		1	
	18	480.1.086.1BB	L.H. half- fairing (YELLOW)		1	
	18	480.3.086.1A	L.H. half-fairing (not painted)		1	
	19	8000.44240	Nut		2	
	20	771.5.667.2B	Screw		2	
	21	8000.74504	Turn indicator		1	
	22	8000.36726	Bulb		2	

NOTES	NO.	CODE NO.	DESCRIPTION	VALIDITY	Q.TY	
	23	8000.74507	Cup		2	
	24	8000.74505	Turn indicator		1	
	25	437.1.105.1AA	Sticker "DUCATI900" (RED)		1	
	25	437.1.105.1AB	Sticker"DUCATI900" (YELLOW)		1	
	26	480.1.085.1BA	R.H. half-fairing (RED)		1	
	26	480.1.085.1BB	R.H. half-fairing (YELLOW)		1	
	26	480.3.085.1A	R.H. half-fairing (not painted)		1	
	27	8BB0.61070	Screw		4	
	28	486.1.052.1A	R.H. side panel		1	
	29	850.4.038.1A	Quik fastening		4	
	30	486.1.053.1A	L.H. side panel		1	
	31	437.1.104.1AA	Sticker "DUCATI900" (RED)		1	
	31	437.1.104.1AB	Sticker"DUCATI900" (YELLOW)		1	
	32	437.1.108.1AA	Sticker "DESMODUE" (RED)		2	
	32	437.1.108.1AB	Sticker "DESMODUE" (YELLOW)		2	

DRAWING **041** FUEL INFEED

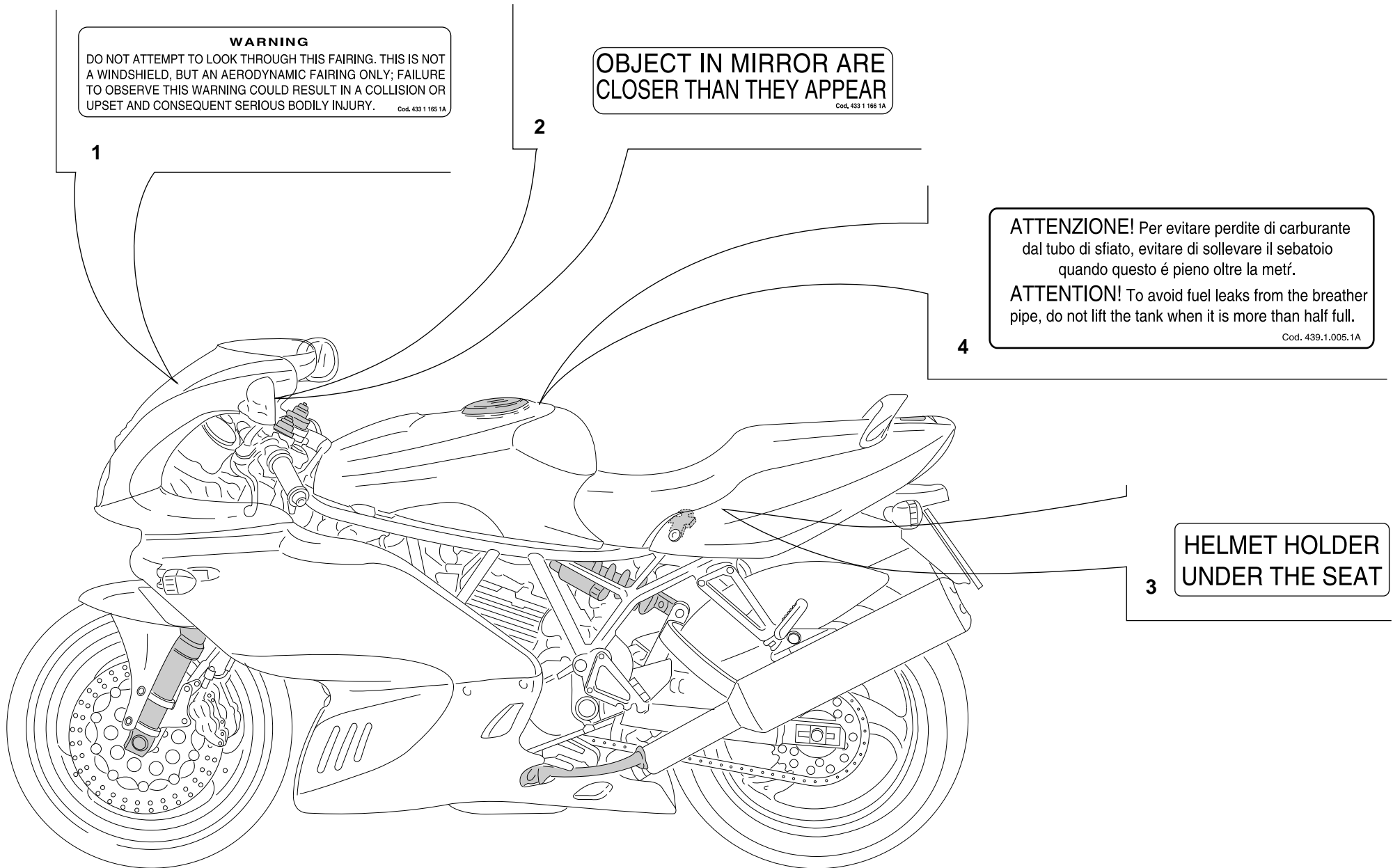


DRAWING **041** FUEL INFEED

NOTES	NO.	CODE NO.	DESCRIPTION	VALIDITY	Q.TY	
	1	741.4.057.1A	Clamp		1	
	2	590.1.116.1A	Tube		1	
	3	741.1.013.1A	Clamp		3	
	4	827.1.183.1A	Holder		1	
	5	716.1.043.1A	Spacer		2	
	6	0000.44240	Nut		2	
	7	764.1.029.1A	Rubber pad		2	
	8	827.1.157.1A	Plate		1	
	9	779.5.001.1A	Screw		2	
	10	426.1.007.1A	CANISTER filter		1	
	11	590.1.117.1A	Tube		1	
	12	590.1.070.1B	Tube		1	
	13	590.1.111.1B	Tube		1	
	14	0250.70.223	Aluminium gasket		2	
	15	814.1.091.2A	Union		2	
	16	741.4.001.1A	Clamp		2	
	17	741.1.012.1A	Clamp		1	
	18	0361.98.850	Shunt valve		1	
	19	741.4.063.1A	Clamp		3	
	20	741.4.058.1A	Clamp		1	
	21	741.4.059.1A	Clamp		1	

NOTES	NO.	CODE NO.	DESCRIPTION	VALIDITY	Q.TY	
-------	-----	----------	-------------	----------	------	---

DRAWING **042** MARKING PLATES




**WARNING**  
DO NOT ATTEMPT TO LOOK THROUGH THIS FAIRING. THIS IS NOT A WINDSHIELD, BUT AN AERODYNAMIC FAIRING ONLY; FAILURE TO OBSERVE THIS WARNING COULD RESULT IN A COLLISION OR UPSET AND CONSEQUENT SERIOUS BODILY INJURY. Cod. 433.1.165.1A

**OBJECT IN MIRROR ARE CLOSER THAN THEY APPEAR**  
Cod. 433.1.166.1A

**ATTENZIONE!** Per evitare perdite di carburante dal tubo di sfiato, evitare di sollevare il serbatoio quando questo é pieno oltre la metá.  
**ATTENTION!** To avoid fuel leaks from the breather pipe, do not lift the tank when it is more than half full. Cod. 439.1.005.1A

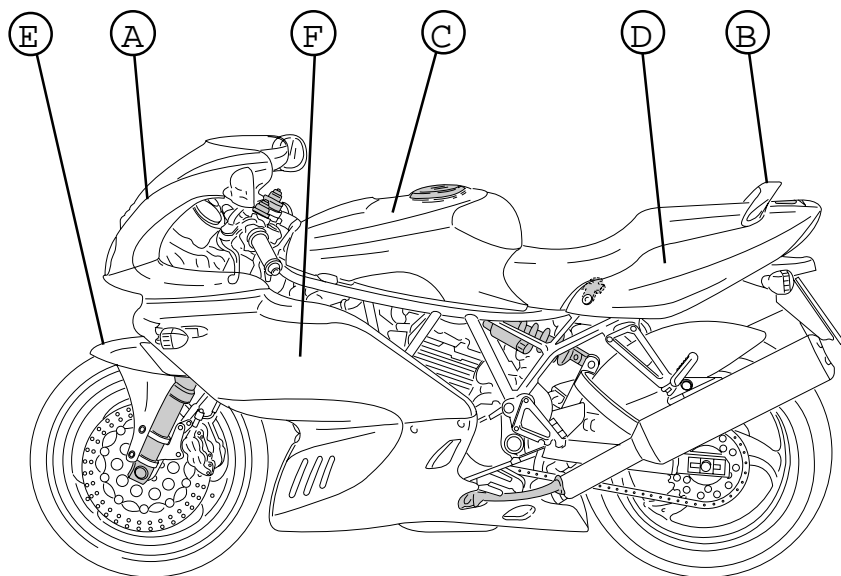
**HELMET HOLDER UNDER THE SEAT**

DRAWING **042** MARKING PLATES

NOTES	NO.	CODE NO.	DESCRIPTION	VALIDITY	Q.TY	
	1	433.1.165.1A	Sticker		1	
	2	433.1.166.1A	Label		2	
	3	433.1.170.1A	Sticker		1	
	4	433.1.164.1A	Sticker		1	

NOTES	NO.	CODE NO.	DESCRIPTION	VALIDITY	Q.TY	
-------	-----	----------	-------------	----------	------	---

**PAINTS**



- A Headlight fairing
- B Handle
- C Fuel tank
- D Body panel
- E Front mudguard
- F Fairing

Paint	Code	LECHLER	Code	SALCHI	Code	PPG
-------	------	---------	------	--------	------	-----

"Rosso Anniversary DUCATI" 473.101

Giallo DUCATI 473.201



**INDEX**

CODE No.	Drwg.	POS. N.	CODE No.	Drwg.	POS. N.	CODE No.	Drwg.	POS. N.	CODE No.	Drwg.	POS. N.	CODE No.	Drwg.	POS. N.
0000.01199	20	19	0214.07.350	2	22	0400.16.190	13	14	0660.16.145	4	21	0670.92.190	14	8
0000.17847	40	32	0214.07.350	8	26	0400.17.030	4	26	0660.29.030	13	9	0670.92.190	15	8
0000.33552	26	20	0250.70.223	16	12	0400.17.030	7	1	0660.47.040	6	13	0670.92.190	32	14
0000.44099	29	11	0250.70.223	41	14	0400.29.040	8	11	0660.49.053	9	17	0675.03.210	1	17
0000.44119	1	15	0251.47.050	3	1	0400.29.125	13	17	0660.49.268	10	13	0675.49.540	5	24
0000.44120	1	16	0251.47.054	3	1	0400.29.125	2	34	0660.50.020	12	8	0691.37.020	24	12
0000.44240	41	6	0272.91.090	2	8	0400.29.126	13	17	0660.70.065	9	4	0691.91.010	24	4
0000.56803	29	4	0335.03.465	16	25	0400.29.126	2	34	0660.92.240	14	15	0691.91.030	22	14
0000.59056	20	14	0361.91.730	36	10	0400.49.240	11	18	0660.92.240	15	10	0723.92.239	14	19
0000.59056	33	4	0361.98.850	41	18	0400.49.240	5	13	0660.92.245	14	15	0723.92.239	15	16
0000.61078	26	12	0364.99.015	32	28	0404.02.390	17	4	0660.92.245	15	10	0723.92.500	14	19
0000.61172	36	2	0364.99.020	40	10	0504.03.085	2	5	0660.92.310	13	18	0723.92.500	15	16
0000.63150	39	4	0364.99.020	40.1	10	051.2.001.1A	1	3	0665.49.680	5	8	0723.92.501	14	19
0000.63161	39	10	0364.99.710	32	27	0619.47.030	6	12	0670.16.145	3	7	0723.92.501	15	16
0000.64471	34	3	0367.49.275	10	11	0619.50.065	12	17	0670.16.150	3	3	0723.92.502	14	19
0000.66181	27	15	0370.39.780	33	32	0619.84.015	17	2	0670.16.155	3	19	0723.92.502	15	16
0000.70139	1.1	2	0370.69.020	20	12	0619.92.180	14	8	0670.16.163	3	11	0723.92.503	14	19
0000.78348	23	5	0370.72.020	26	8	0619.92.180	15	8	0670.16.164	3	11	0723.92.503	15	16
0011.52.010	10	23	0370.72.020	27	18	0647.29.040	12	15	0670.16.164	3	15	0723.92.504	14	19
0124.40.050	12	9	0370.84.005	17	1	0647.70.010	14	12	0670.16.165	3	15	0723.92.504	15	16
0124.40.060	8	12	0370.92.050	13	12	0647.70.010	15	20	0670.16.170	3	26	0723.92.505	14	19
0150.70.120	5	17	0370.98.610	31	6	0647.92.170	4	27	0670.16.171	3	26	0723.92.505	15	16
0150.70.120	9	28	0370.99.013	32	19	0659.16.558	4	1	0670.16.184	3	15	0723.92.506	14	19
0150.92.280	2	5	0375.92.210	14	13	0660.13.060	2	19	0670.16.185	3	15	0723.92.506	15	16
0170.91.730	20	28	0375.92.210	15	19	0660.13.070	2	13	0670.49.310	9	26	0723.92.507	14	19
0170.91.730	21	15	0377.49.270	10	6	0660.13.143	2	9	0670.49.910	9	21	0723.92.507	15	16
0204.70.105	13	7	0400.09.050	2	21	0660.13.165	2	25	0670.92.010	10	8	0723.92.508	14	19

**INDEX**

CODE No.	Drwg.	POS. N.	CODE No.	Drwg.	POS. N.	CODE No.	Drwg.	POS. N.	CODE No.	Drwg.	POS. N.	CODE No.	Drwg.	POS. N.
0723.92.508	15	16	0723.92.522	14	19	0723.92.575	15	16	0723.92.725	14	19	0727.92.060	15	14
0723.92.509	14	19	0723.92.522	15	16	0723.92.585	14	19	0723.92.725	15	16	0727.92.061	14	17
0723.92.509	15	16	0723.92.523	14	19	0723.92.585	15	16	0723.92.735	14	19	0727.92.061	15	14
0723.92.510	14	19	0723.92.523	15	16	0723.92.595	14	19	0723.92.735	15	16	0727.92.062	14	17
0723.92.510	15	16	0723.92.524	14	19	0723.92.595	15	16	0723.92.745	14	19	0727.92.062	15	14
0723.92.511	14	19	0723.92.524	15	16	0723.92.605	14	19	0723.92.745	15	16	0727.92.063	14	17
0723.92.511	15	16	0723.92.525	14	19	0723.92.605	15	16	0727.92.050	14	17	0727.92.063	15	14
0723.92.512	14	19	0723.92.525	15	16	0723.92.615	14	19	0727.92.050	15	14	0727.92.064	14	17
0723.92.512	15	16	0723.92.526	14	19	0723.92.615	15	16	0727.92.051	14	17	0727.92.064	15	14
0723.92.513	14	19	0723.92.526	15	16	0723.92.625	14	19	0727.92.051	15	14	0727.92.065	14	17
0723.92.514	14	19	0723.92.527	14	19	0723.92.625	15	16	0727.92.052	14	17	0727.92.065	15	14
0723.92.514	17	16	0723.92.527	15	16	0723.92.635	14	19	0727.92.052	15	14	0727.92.066	14	17
0723.92.515	14	16	0723.92.528	14	19	0723.92.635	15	16	0727.92.053	14	17	0727.92.066	15	14
0723.92.515	14	19	0723.92.528	15	16	0723.92.645	14	19	0727.92.053	15	14	0727.92.067	14	17
0723.92.515	15	16	0723.92.529	14	19	0723.92.645	15	16	0727.92.054	14	17	0727.92.067	15	14
0723.92.516	14	19	0723.92.529	15	16	0723.92.655	14	19	0727.92.054	15	14	0727.92.068	14	17
0723.92.516	15	16	0723.92.530	14	19	0723.92.655	15	16	0727.92.055	14	17	0727.92.068	15	14
0723.92.517	14	19	0723.92.530	15	16	0723.92.675	14	19	0727.92.055	15	14	0727.92.069	14	17
0723.92.517	15	16	0723.92.535	14	19	0723.92.675	15	16	0727.92.056	14	17	0727.92.069	15	14
0723.92.518	14	19	0723.92.535	15	16	0723.92.685	14	19	0727.92.056	15	14	0727.92.070	14	17
0723.92.518	15	16	0723.92.545	14	19	0723.92.685	15	16	0727.92.057	14	17	0727.92.070	15	14
0723.92.519	14	19	0723.92.545	15	16	0723.92.695	14	19	0727.92.057	15	14	0727.92.071	14	17
0723.92.519	15	16	0723.92.555	14	19	0723.92.695	15	16	0727.92.058	14	17	0727.92.071	15	14
0723.92.520	14	19	0723.92.555	15	16	0723.92.705	14	19	0727.92.058	15	14	0727.92.072	14	17
0723.92.520	15	16	0723.92.565	14	19	0723.92.705	15	16	0727.92.059	14	17	0727.92.072	15	14
0723.92.521	14	19	0723.92.565	15	16	0723.92.715	14	19	0727.92.059	15	14	0727.92.073	14	17
0723.92.521	15	16	0723.92.575	14	19	0723.92.715	15	16	0727.92.060	14	17	0727.92.073	15	14

**INDEX**

CODE No.	Drwg.	POS. N.	CODE No.	Drwg.	POS. N.	CODE No.	Drwg.	POS. N.	CODE No.	Drwg.	POS. N.	CODE No.	Drwg.	POS. N.
0727.92.074	14	17	0727.92.087	15	14	0727.92.157	14	17	0727.92.170	15	14	0727.92.184	14	17
0727.92.074	15	14	0727.92.088	14	17	0727.92.157	15	14	0727.92.171	14	17	0727.92.184	15	14
0727.92.075	14	17	0727.92.088	15	14	0727.92.158	14	17	0727.92.171	15	14	0727.92.185	14	17
0727.92.075	15	14	0727.92.089	14	17	0727.92.158	15	14	0727.92.172	14	17	0727.92.185	15	14
0727.92.076	14	17	0727.92.089	15	14	0727.92.159	14	17	0727.92.172	15	14	0727.92.186	14	17
0727.92.076	15	14	0727.92.090	14	17	0727.92.159	15	14	0727.92.173	14	17	0727.92.186	15	14
0727.92.077	14	17	0727.92.090	15	14	0727.92.160	14	17	0727.92.173	15	14	0727.92.187	14	17
0727.92.077	15	14	0727.92.092	14	17	0727.92.160	15	14	0727.92.174	14	17	0727.92.187	15	14
0727.92.078	14	17	0727.92.092	15	14	0727.92.161	14	17	0727.92.174	15	14	0727.92.188	14	17
0727.92.078	15	14	0727.92.094	14	17	0727.92.161	15	14	0727.92.175	14	17	0727.92.188	15	14
0727.92.079	14	17	0727.92.094	15	14	0727.92.162	14	17	0727.92.175	15	14	0727.92.189	14	17
0727.92.079	15	14	0727.92.096	14	17	0727.92.162	15	14	0727.92.176	14	17	0727.92.189	15	14
0727.92.080	14	17	0727.92.096	15	14	0727.92.163	14	17	0727.92.176	15	14	0727.92.239	14	17
0727.92.080	15	14	0727.92.150	14	17	0727.92.163	15	14	0727.92.177	14	17	0727.92.239	15	14
0727.92.081	14	17	0727.92.150	15	14	0727.92.164	14	17	0727.92.177	15	14	0755.29.025	6	17
0727.92.081	15	14	0727.92.151	14	17	0727.92.164	15	14	0727.92.178	14	17	0755.29.025	8	21
0727.92.082	14	17	0727.92.151	15	14	0727.92.165	14	17	0727.92.178	15	14	0755.49.265	10	2
0727.92.082	15	14	0727.92.152	14	17	0727.92.165	15	14	0727.92.179	14	17	0759.49.280	9	15
0727.92.083	14	17	0727.92.152	15	14	0727.92.166	14	17	0727.92.179	15	14	0765.92.185	14	8
0727.92.083	15	14	0727.92.153	14	17	0727.92.166	15	14	0727.92.180	14	17	0765.92.185	15	8
0727.92.084	14	17	0727.92.153	15	14	0727.92.167	14	17	0727.92.180	15	14	0765.92.190	14	8
0727.92.084	15	14	0727.92.154	14	17	0727.92.167	15	14	0727.92.181	14	17	0765.92.190	15	8
0727.92.085	14	17	0727.92.154	15	14	0727.92.168	14	17	0727.92.181	15	14	0765.92.195	14	8
0727.92.085	15	14	0727.92.155	14	17	0727.92.168	15	14	0727.92.182	14	17	0765.92.195	15	8
0727.92.086	14	17	0727.92.155	15	14	0727.92.169	14	17	0727.92.182	15	14	0765.92.205	14	8
0727.92.086	15	14	0727.92.156	14	17	0727.92.169	15	14	0727.92.183	14	17	0765.92.205	15	8
0727.92.087	14	17	0727.92.156	15	14	0727.92.170	14	17	0727.92.183	15	14	0765.92.205	2	21

**INDEX**

CODE No.	Drwg.	POS. N.	CODE No.	Drwg.	POS. N.	CODE No.	Drwg.	POS. N.	CODE No.	Drwg.	POS. N.	CODE No.	Drwg.	POS. N.
0795.37.120	24	13	137.1.003.2B	16	11	172.1.011.1A	3	23	225.2.041.1A	10	1	255.1.014.1A	13	3
0796.38.305	22	2	145.2.034.1A	6	14	173.1.012.1A	12	20	235.1.026.1A	13	11	264.4.014.2B	11	1
0797.69.040	13	2	146.2.061.1A	6	1	174.1.002.1A	9	3	235.1.027.1A	13	5	270.4.001.1A	12	1
0797.69.040	8	17	147.1.015.1A	8	9	174.1.025.1A	9	12	235.2.015.1BA	13	20	276.1.028.1B	12	16
0797.72.068	29	13	148.1.066.1A	13	16	174.2.025.3A	9	1	240.1.010.1AB	14	10	280.4.002.1A	16	10
0797.72.068	30	15	148.1.067.1A	13	22	176.1.001.1A	12	6	240.1.010.1AB	15	12	282.4.018.1A	16	1
0799.13.110	2	27	149.1.003.1A	3	25	176.1.009.1A	12	10	240.1.012.1BB	15	24	283.4.003.1A	16	21
0803.77.010	34	16	150.2.003.1A	3	28	180.1.001.1A	2	11	242.2.045.1A	11	19	284.4.002.1A	16	2
0805.17.125	7	7	150.2.005.1A	3	27	180.1.002.1A	2	12	243.1.025.1AD	5	1	285.4.003.1A	29	10
0905.49.960	9	20	150.2.006.1A	3	2	180.1.008.1A	2	24	243.2.004.1BB	5	6	286.4.023.1A	30	11
0960.91.130	19	10	158.2.002.2A	6	5	182.2.010.1A	2	18	245.1.006.1AC	8	6	287.4.024.1B	16	8
0960.91.130	22	8	160.1.004.1B	34	18	184.1.001.1A	33	11	245.1.007.1AC	8	1	287.4.040.2A	30	13
0960.91.130	30	16	160.1.013.1B	38	6	190.2.001.3A	4	8	245.1.008.1AC	8	4	300160	15	25
0960.91.130	36	15	160.1.057.1A	12	13	194.2.001.1B	4	12	245.1.009.1AC	8	8	301.2.018.1BA	14	1
112.1.001.1A	6	8	160.1.076.1A	13	24	195.4.003.1A	4	22	245.1.010.1AC	8	7	301.2.019.3BA	15	1
112.1.001.1AB	6	8	162.1.001.1B	4	7	196.1.001.1B	4	10	246.1.046.1B	31	7	303.1.003.1A	14	4
112.1.001.1AC	6	8	170.2.020.1B	4	17	198.1.027.1A	4	13	246.1.057.1B	29	22	303.1.003.1A	15	3
117.1.017.1A	38	14	171.2.020.2B	8	10	208.1.012.1A	14	14	247.1.002.1BC	11	9	303.1.003.1AB	14	4
117.1.025.2A	33	13	172.1.002.1B	3	10	208.1.012.1A	15	17	247.1.073.1A	20	21	303.1.003.1AB	15	3
117.1.030.1A	20	8	172.1.003.1A	3	8	209.1.012.1A	14	16	247.1.083.1AE	11	4	303.1.003.1AC	14	4
117.2.006.1A	4	29	172.1.004.1A	3	5	209.1.012.1A	15	18	247.1.104.1A	9	2	303.1.003.1AC	15	3
120.2.051.2A	7	4	172.1.005.1A	3	9	210.1.003.5A	14	22	247.1.112.1B	39	8	303.1.003.1AD	14	4
120.2.052.2A	7	8	172.1.006.1B	3	18	210.1.003.5A	15	7	247.1.115.1A	21	10	303.1.003.1AD	15	3
121.1.040.1A	7	3	172.1.007.1B	3	24	211.1.003.4A	14	21	250.2.030.3A	9	5	303.2.004.1C	14	5
121.2.029.1B	7	11	172.1.008.1A	3	22	211.1.003.4A	15	6	254.1.001.1A	11	7	303.2.004.1C	15	2
122.2.050.1B	7	9	172.1.009.1A	3	21	220.2.017.6A	28	10	254.4.001.1A	5	4	303.2.004.1CB	14	5
135.1.008.2A	31	8	172.1.010.1A	3	20	220.3.208.3A	9	16	255.1.001.1B	8	15	303.2.004.1CB	15	2

**INDEX**

CODE No.	Drwg.	POS. N.	CODE No.	Drwg.	POS. N.	CODE No.	Drwg.	POS. N.	CODE No.	Drwg.	POS. N.	CODE No.	Drwg.	POS. N.
303.2.004.1CC	14	5	349.1.102.1A	25	20	395.4.013.1A	30	14	433.1.108.1A	32	20	451.1.025.1A	8	20
303.2.004.1CC	15	2	349.1.103.1A	25	21	397.4.001.1A	30	3	433.1.164.1A	42	4	451.2.006.1A	8	23
303.2.004.1CD	14	5	349.1.104.1A	25	23	401.4.019.1A	23	4	433.1.165.1A	42	1	455.2.003.1A	2	4
303.2.004.1CD	15	2	349.1.115.1A	25	17	402.4.008.1A	23	21	433.1.166.1A	42	2	456.2.007.1A	20	16
304.1.005.2A	14	2	349.1.116.1A	25	24	403.1.010.1A	23	19	433.1.170.1A	42	3	457.2.008.1A	33	6
304.1.005.2A	15	4	349.1.117.1A	25	22	404.4.008.1A	23	13	433.1.257.1A	29	23	462.3.003.7A	2	31
304.1.005.2AB	14	2	349.1.118.1A	25	3	406.1.022.1B	23	1	435.1.030.1AA	38	10	462.3.003.7A	8	27
304.1.005.2AB	15	4	349.1.119.1A	25	7	407.4.001.1A	23	7	436.1.030.1AA	36	5	462.3.003.8A	2	29
304.1.005.2AC	14	2	349.2.010.1A	25	15	417.5.033.7A	13	23	436.1.030.1AB	36	5	462.4.037.6A	30	1
304.1.005.2AC	15	4	349.2.014.1A	25	10	417.6.075.9A	5	3	437.1.104.1AA	40	41	462.4.037.6A	9	11
304.1.006.2A	14	3	360.2.022.1A	24	17	417.6.082.9A	10	26	437.1.104.1AA	40.1	31	462.4.037.8A	9	9
304.1.006.2A	15	5	360.2.023.1A	24	30	417.7.007.1A	35	27	437.1.104.1AB	40	41	463.2.019.6A	7	2
304.1.006.2AB	14	3	365.2.042.1A	32	2	417.9.030.8A	24	1	437.1.104.1AB	40.1	31	463.2.022.2A	16	14
304.1.006.2AB	15	5	366.1.035.1A	25	6	417.9.050.6A	12	3	437.1.105.1AA	40	25	463.2.053.7A	4	15
304.1.006.2AC	14	3	369.1.004.1A	32	17	420.2.000.7A	14	23	437.1.105.1AA	40.1	25	463.4.001.1A	10	22
304.1.006.2AC	15	5	370.1.009.2C	32	13	420.2.000.7A	7	13	437.1.105.1AB	40	25	463.4.026.9A	4	16
340.2.095.1A	25	1	373.1.012.1A	32	24	420.2.001.0A	17	9	437.1.105.1AB	40.1	25	463.4.047.7A	5	18
340.2.096.1A	25	4	389.4.006.1A	29	26	420.2.001.0A	26	17	437.1.108.1AA	40	40	463.7.022.6A	4	20
341.1.024.1A	24	9	389.4.007.1A	29	26	420.2.001.0A	27	8	437.1.108.1AA	40.1	32	464.1.005.1A	20	20
342.2.007.1A	24	3	389.4.008.1A	29	26	420.2.001.0A	33	25	437.1.108.1AB	40	40	464.1.006.1A	21	13
349.1.064.1A	25	8	389.4.010.1A	29	26	420.2.001.0A	9	34	437.1.108.1AB	40.1	32	465.1.008.1A	20	27
349.1.065.1A	25	9	389.4.012.1A	29	3	420.2.006.2A	10	40	442.1.007.2A	31	4	465.1.010.1A	21	6
349.1.095.1A	25	2	389.4.013.1A	29	26	420.2.006.4A	10	19	442.1.042.1B	31	2	470.1.042.1BA	19	1
349.1.096.1A	25	16	389.4.015.1A	29	26	425.4.004.1B	37	4	442.2.041.1B	31	1	480.1.081.1BA	40	26
349.1.098.1A	25	11	390.4.002.1A	23	16	425.4.008.1A	37	8	446.1.001.1B	32	29	480.1.081.1BB	40	26
349.1.100.1A	25	5	390.4.003.1A	35	3	426.1.007.1A	41	10	447.1.005.1BB	32	18	480.1.082.1BA	40	18
349.1.101.1A	25	18	390.4.007.1A	23	15	430.4.004.1A	37	6	449.1.003.3A	3	12	480.1.082.1BB	40	18

**INDEX**

CODE No.	Drwg.	POS. N.	CODE No.	Drwg.	POS. N.	CODE No.	Drwg.	POS. N.	CODE No.	Drwg.	POS. N.	CODE No.	Drwg.	POS. N.
480.1.083.1AA	40	27	484.1.032.1A	40.1	17	525.4.014.1A	35	1	564.3.018.1A	40	1	592.1.005.2B	37	9
480.1.083.1AB	40	27	484.1.033.1A	40	11	529.1.006.1A	35	28	564.3.018.1A	40.1	1	593.1.003.1A	10	33
480.1.084.1BA	40	28	484.1.033.1A	40.1	11	529.1.008.1AB	35	37	565.1.011.1B	32	1	593.1.018.1A	9	29
480.1.084.1BB	40	28	484.1.035.1A	40	16	532.4.003.1A	35	2	570.1.038.1A	17	7	595.1.038.1B	36	8
480.1.085.1BA	40.1	26	484.1.036.1A	40	15	539.1.021.1A	2	6	571.1.038.1A	17	5	598.2.023.1A	35	30
480.1.085.1BB	40.1	26	486.1.052.1A	40.1	28	539.1.023.1A	18	5	573.1.047.1A	17	11	598.2.026.2A	19	13
480.1.086.1BA	40.1	18	486.1.053.1A	40.1	30	539.4.003.1B	33	15	574.1.047.1A	17	18	598.4.014.3A	24	8
480.1.086.1BB	40.1	18	486.1.054.1A	40	37	539.4.021.1A	27	5	575.1.001.1AB	17	3	60N101079	10	15
480.3.081.1A	40	26	486.1.055.1A	40	39	539.4.030.1A	5	16	576.1.031.1A	17	12	60N101206	18	2
480.3.082.1A	40	18	487.2.018.2A	39	1	540.4.011.1C	29	18	576.1.032.1A	17	19	60N102505	22	10
480.3.083.1A	40	27	492.4.003.2A	34	24	541.4.003.1A	29	2	585.1.008.2B	31	22	60N102505	33	34
480.3.084.1A	40	28	492.4.024.1A	34	10	548.4.030.1A	28	9	585.4.001.1A	33	20	60N102505	8	2
480.3.085.1A	40.1	26	494.1.005.3A	34	15	552.4.004.2A	9	35	586.1.030.1DA	38	1	60N102509	11	13
480.3.086.1A	40.1	18	497.2.001.2A	34	8	552.4.012.1A	22	7	586.1.030.1DB	38	1	60N102509	13	21
481.1.019.1AA	39	3	501.2.020.1AA	34	7	552.4.013.1A	15	32	586.3.030.1A	38	1	60N102509	14	11
481.1.019.1AB	39	3	502.2.045.1A	34	23	552.4.020.1A	11	12	590.1.027.1A	37	2	60N102509	15	13
481.1.020.1AA	39	14	510.1.070.1A	23	12	552.4.028.1A	1.2	15	590.1.056.3A	37	13	60N102509	2	28
481.1.020.1AB	39	14	510.1.121.1A	35	35	556.1.018.1C	18	9	590.1.070.1B	41	12	60N102509	35	33
481.3.019.1A	39	3	510.1.127.1A	23	14	556.1.023.1A	18	3	590.1.096.1A	16	16	60N102509	5	2
481.3.020.1A	39	14	510.1.166.1A	22	16	556.2.021.1A	18	1	590.1.099.1A	16	18	60N102509	8	3
482.1.025.1BA	36	6	510.1.167.1A	29	1	559.1.006.1A	36	1	590.1.101.1B	37	14	60N102510	11	6
482.1.025.1BB	36	6	514.1.025.2A	30	5	561.1.013.2A	35	24	590.1.103.1A	16	17	60N102510	12	5
482.1.026.1BA	36	7	516.4.001.1AB	29	6	561.1.019.1A	35	26	590.1.104.1A	16	7	60N102510	5	5
482.1.026.1BB	36	7	520.4.017.1A	22	1	564.1.018.1A	40	1	590.1.111.1B	41	13	60N102510	9	10
482.3.025.1A	36	6	523.4.010.1A	39	7	564.1.018.1A	40.1	1	590.1.116.1A	41	2	60N102511	11	17
482.3.026.1A	36	7	523.4.011.1A	39	5	564.1.018.1AB	40	1	590.1.117.1A	41	11	60N102511	19	12
484.1.032.1A	40	17	525.1.004.2A	35	31	564.1.018.1AB	40.1	1	590.1.179.1A	37	1	60N102511	28	5

**INDEX**

CODE No.	Drwg.	POS. N.	CODE No.	Drwg.	POS. N.	CODE No.	Drwg.	POS. N.	CODE No.	Drwg.	POS. N.	CODE No.	Drwg.	POS. N.
60N102557	24	11	626.4.008.1A	27	20	672.4.004.1A	22	9	70620.5212	16	26	713.1.032.1A	34	13
60N102585	32	15	626.4.009.1A	27	3	672.4.005.1A	22	4	70700.6208	7	5	713.1.134.1A	31	13
60N102587	32	3	626.4.010.1A	26	4	676.2.032.1A	34	26	70700.6N02	26	10	713.1.137.1A	15	27
60N102589	32	8	626.4.011.1A	26	3	676.4.001.3A	32	32	70700.6N02	27	19	713.1.140.1A	10	14
60N102590	24	24	626.4.013.1A	33	28	677.4.002.1A	1.1	4	70700.6N02	28	7	713.1.152.1A	24	33
60N102590	24	28	630.4.010.1AB	26	1	680.1.001.1B	9	7	707006N01	31	10	714.1.028.1A	34	6
60N107335	13	10	631.4.004.1A	27	9	684.1.025.1A	18	11	70914.2121	17	14	714.1.040.1A	34	22
60N107335	4	28	631.4.008.1A	26	5	684.1.027.2A	19	11	710.1.001.1A	9	13	716.1.043.1A	41	5
60N115062	20	7	631.4.008.1A	27	21	684.1.042.1A	40	30	710.1.002.1A	4	23	716.1.051.1A	31	21
60N115062	33	9	631.4.008.1A	33	27	684.1.043.1A	40	31	710.1.006.1A	34	17	716.1.051.1A	36	16
60N115548	35	23	631.4.009.1A	26	2	684.1.044.1A	17	16	710.1.032.1A	10	38	716.4.001.1A	22	12
610.4.011.2B	27	26	632.1.016.2B	26	18	684.1.045.1A	19	14	710.1.069.1A	10	21	72094.1616	10	10
610.4.012.2B	27	7	650.4.006.1B	24	29	697.2.010.1B	36	3	710.1.070.1A	10	30	72121.2106	6	4
611.4.008.1A	33	35	651.4.007.2A	24	18	700.1.005.1A	34	21	711.1.007.1A	6	6	72237.0658	40	12
612.4.005.1A	26	21	652.4.002.3A	24	10	700.1.011.1A	28	6	711.1.072.1A	10	39	72237.0658	40.1	12
612.4.008.1A	27	12	654.2.003.1A	24	23	700.1.026.1A	30	9	711.1.095.1A	10	32	723.1.005.1C	38	16
612.4.008.1A	33	31	655.2.006.1A	24	20	700.1.027.1A	14	25	712.1.009.1A	38	13	72430.6001	30	2
612.4.014.1A	27	4	656.1.018.1A	24	31	700.1.027.1A	15	23	712.1.013.1A	38	19	72944.1542	13	1
612.4.016.1A	33	29	656.2.012.1A	24	16	701.4.003.1A	12	19	713.1.006.1A	13	6	72944.1542	8	18
612.4.017.1A	27	10	658.4.002.1B	24	22	701.4.005.1A	3	4	713.1.011.1A	3	15	729905FN1	26	13
613.4.020.1A	27	25	669.1.003.1A	14	18	701.4.007.1A	12	21	713.1.012.1B	4	31	729908FN1	16	15
613.4.021.1A	33	33	669.1.003.1A	15	15	702.5.008.1A	10	20	713.1.014.1A	3	11	729908FN1	17	10
618.4.035.2B	27	23	670.4.008.1A	29	21	702.5.008.1A	11	3	713.1.014.1A	3	15	729908FN1	19	8
619.4.016.2B	33	23	671.1.012.1A	29	5	702.5.016.1A	4	14	713.1.014.1B	3	11	732.2.009.1A	35	10
624.4.012.1A	27	1	671.1.013.1A	29	14	702.5.019.1A	10	12	713.1.014.1E	3	11	73270.8001	17	13
625.4.006.1A	33	26	672.1.023.1A	30	17	703.1.019.1A	15	30	713.1.014.1E	3	15	734005N01	3	29
626.4.007.1A	27	2	672.1.024.1A	30	18	70610.8120	4	11	713.1.014.1F	3	11	734006N01	12	2

**INDEX**

CODE No.	Drwg.	POS. N.	CODE No.	Drwg.	POS. N.	CODE No.	Drwg.	POS. N.	CODE No.	Drwg.	POS. N.	CODE No.	Drwg.	POS. N.
734010N01	32	6	741.4.004.1A	16	5	748.4.026.1B	30	10	763110N01	32	7	771.5.043.2B	4	4
734305N01	35	13	741.4.008.2A	37	11	748.4.026.1B	39	13	764.1.001.1A	17	15	771.5.045.7E	38	4
734306N01	10	37	741.4.022.1A	16	3	749.4.045.2G	18	10	764.1.003.1B	4	6	771.5.064.2B	11	5
734306N01	22	3	741.4.040.1A	16	9	749.5.001.1A	35	18	764.1.005.1A	22	15	771.5.069.2BB	8	22
734306N01	28	3	741.4.041.1A	16	6	749.5.002.1A	35	14	764.1.009.1A	14	20	771.5.072.2B	10	31
734306N01	35	32	741.4.042.1A	16	29	750.1.002.1B	4	25	764.1.009.1A	15	21	771.5.072.2B	5	23
734306N01	5	22	741.4.043.1A	26	14	750.1.012.2A	6	16	764.1.010.1A	38	17	771.5.073.2B	11	16
734310N01	32	5	741.4.043.1A	27	16	750.1.046.1A	32	25	764.1.011.2A	20	15	771.5.078.2B	12	12
73500.0624	33	3	741.4.043.1A	33	17	750.5.001.1A	2	23	764.1.011.2A	33	5	771.5.078.2B	5	20
73500.1237	12	7	741.4.057.1A	41	1	75110.1747	13	8	764.1.013.1A	14	6	771.5.080.2B	10	27
73500.1237	9	25	741.4.058.1A	41	20	75110.2054	13	13	764.1.013.1A	15	22	771.5.122.2B	2	30
73500.1440	12	11	741.4.059.1A	41	21	75113.2566	4	18	764.1.029.1A	41	7	771.5.122.2B	8	28
73500.1542	2	15	741.4.062.1A	32	10	75143.3380	10	25	764.4.004.1A	19	2	771.5.129.2B	9	8
73500.1747	15	26	741.4.063.1A	41	19	75162.2566	34	5	764.4.007.1A	22	13	771.5.136.2B	10	24
73503.3075	5	11	741.4.064.1A	37	3	75163.3268	34	20	76400.0004	10	3	771.5.663.2B	19	6
73503.3380	10	18	741.4.066.1A	37	12	75166.1238	8	25	76401.0002	20	6	771.5.667.2B	20	11
73503.3380	11	2	74172.1008	13	15	75173.1542	13	19	76401.0003	20	10	771.5.667.2B	31	17
73503.3449	16	22	74172.1008	6	10	75191.3380	10	29	76402.0002	3	17	771.5.667.2B	35	34
736.4.013.1B	40	4	74172.1008	8	13	75791.1747	10	9	76835.1134	2	10	771.5.667.2B	36	18
736.4.013.1B	40.1	4	74223.1045	31	14	75794.1542	10	17	771.4.006.1A	11	14	771.5.667.2B	40	20
737.4.002.3A	8	19	74224.0570	4	24	759.1.017.1A	30	6	771.5.025.2B	29	9	771.5.667.2B	40.1	20
741.1.003.1A	17	6	74224.0570	6	7	759.2.016.1A	38	11	771.5.040.0C	3	14	771.5.669.2B	24	14
741.1.012.1A	41	17	747.5.001.1A	20	9	760.1.003.1A	31	9	771.5.040.2B	11	21	771.5.669.2B	26	6
741.1.013.1A	41	3	748.1.008.1A	32	22	76266.2668	10	4	771.5.040.2B	13	26	771.5.669.2B	27	24
741.1.019.1A	25	25	748.1.014.1B	34	1	76267.0012	9	24	771.5.040.2B	38	21	771.5.721.2B	34	9
741.4.001.1A	41	16	748.4.002.1A	19	3	76270.0827	3	31	771.5.040.2BB	8	5	771.5.723.2B	20	2
741.4.002.1A	31	15	748.4.024.1A	34	12	763106N01	20	5	771.5.043.2B	35	22	771.5.723.2B	21	5



**INDEX**

CODE No.	Drwg.	POS. N.	CODE No.	Drwg.	POS. N.	CODE No.	Drwg.	POS. N.	CODE No.	Drwg.	POS. N.	CODE No.	Drwg.	POS. N.
771.5.723.2B	33	30	775.1.013.1A	40.1	15	779.1.213.1A	19	9	791.1.039.1A	38	3	8000.56359	29	16
771.5.723.2B	34	25	776.4.002.1A	23	2	779.4.005.1A	18	4	791.1.040.1A	22	11	8000.56359	31	16
771.5.754.2B	27	6	776.5.032.2A	16	13	779.5.001.1A	31	20	791.2.003.1A	7	12	8000.56359	36	17
771.5.754.2B	33	14	777.5.038.2B	35	9	779.5.001.1A	36	13	799.1.025.1A	2	20	8000.56443	35	16
772.1.010.2A	8	24	777.5.049.2C	36	20	779.5.001.1A	40	14	799.1.045.1A	20	4	8000.56443	39	9
772.5.005.1A	32	9	777.5.049.2CB	11	10	779.5.001.1A	40.1	14	799.1.045.1A	21	3	8000.56741	23	6
772.5.008.1A	29	7	777.5.210.2A	24	19	779.5.001.1A	41	9	799.1.049.1A	2	1	8000.56742	23	3
772.5.022.1A	19	7	779.1.007.2A	6	9	779.5.007.1A	38	2	799.1.051.2A	6	15	8000.56746	23	8
772.5.023.1A	22	6	779.1.009.1A	32	31	779.5.010.1A	39	11	799.1.055.1A	9	30	8000.56747	23	9
772.5.023.1A	24	27	779.1.026.1A	10	41	779.5.016.1A	17	17	799.1.058.1A	24	6	8000.56748	23	10
772.5.023.1A	29	8	779.1.039.1A	2	3	779.5.019.1A	9	33	799.1.061.1A	14	7	8000.56752	23	17
772.5.023.1A	40	6	779.1.050.1A	32	30	779.5.020.1A	9	6	799.1.061.1A	15	9	8000.59572	22	17
772.5.024.1A	24	7	779.1.057.1B	32	26	780.1.007.1A	17	8	799.1.083.1B	33	36	8000.59572	30	7
772.5.024.1A	29	17	779.1.058.2A	26	16	780.1.016.1A	6	3	799.1.088.1A	18	7	8000.62648	34	4
772.5.024.1A	33	12	779.1.058.2A	27	11	780.1.018.1A	9	31	799.1.089.1A	18	6	8000.62655	20	26
772.5.024.1A	35	25	779.1.058.2A	33	24	786.1.060.1A	7	6	799.2.077.2A	9	14	8000.62655	21	8
772.5.024.1A	40.1	6	779.1.082.2A	26	19	787.1.008.1A	15	29	8000.18048	31	12	8000.62705	38	23
772.5.025.1A	20	22	779.1.088.1A	29	24	788.1.027.1A	31	3	8000.36230	22	18	8000.62729	10	35
772.5.025.1A	21	11	779.1.088.1A	39	6	788.1.032.2A	14	9	8000.36230	35	29	8000.62729	16	20
772.5.025.1A	33	21	779.1.092.1A	26	7	788.1.032.2A	15	11	8000.36726	35	19	8000.63150	35	6
772.5.025.1A	38	24	779.1.092.1A	27	17	788.1.052.1A	5	7	8000.36726	40	22	8000.63150	40	7
774.5.002.1A	31	5	779.1.099.1A	24	2	788.1.054.1A	12	4	8000.36726	40.1	22	8000.63161	35	7
775.1.008.1A	40	34	779.1.109.1A	6	2	788.1.066.1AA	11	22	8000.42278	23	18	8000.63161	36	22
775.1.011.1A	36	21	779.1.133.1A	14	24	788.1.066.1AB	11	22	8000.44240	35	15	8000.63161	40	8
775.1.011.1A	40	9	779.1.162.1A	9	27	788.1.066.1AC	11	22	8000.44240	39	2	8000.65535	35	8
775.1.011.1A	40.1	9	779.1.198.1A	9	23	789.1.001.1A	37	10	8000.44240	40	19	8000.66526	29	19
775.1.013.1A	40	33	779.1.203.1A	2	7	791.1.015.1A	38	7	8000.44240	40.1	19	8000.66527	29	20

**INDEX**

CODE No.	Drwg.	POS. N.	CODE No.	Drwg.	POS. N.	CODE No.	Drwg.	POS. N.	CODE No.	Drwg.	POS. N.	CODE No.	Drwg.	POS. N.
8000.66774	24	25	815.1.022.1A	28	4	827.1.115.1A	21	7	830.1.170.1A	28	2	852.1.075.1A	40	2
8000.67981	33	8	818.2.009.1A	4	3	827.1.139.1B	18	8	830.1.171.1A	28	14	852.1.075.1A	40.1	2
8000.68490	27	14	819.1.009.1A	32	23	827.1.157.1A	41	8	835.1.002.1A	38	15	852.1.096.1A	24	32
8000.70127	25	12	819.1.017.1A	34	11	827.1.178.1A	29	15	841.1.002.2A	4	2	852.1.099.1A	17	20
8000.70133	25	14	821.1.001.1A	2	26	827.1.179.1A	16	27	841.1.028.1A	28	8	852.1.104.1A	6	11
8000.74049	34	2	821.1.009.1B	34	19	827.1.183.1A	41	4	841.1.028.1A	36	14	852.1.104.1B	6	11
8000.74504	35	4	821.1.028.1B	38	18	827.2.134.1A	38	20	841.1.028.1A	40	13	852.1.104.1C	6	11
8000.74504	40	21	821.1.033.2B	32	21	829.1.021.2A	37	5	841.1.028.1A	40.1	13	852.1.104.1D	6	11
8000.74504	40.1	21	821.1.051.1A	20	3	829.1.073.3A	5	21	847.4.002.1A	20	25	852.1.104.1E	6	11
8000.74505	35	21	821.1.051.1A	21	2	829.1.078.1A	33	1	847.4.002.1A	21	9	852.1.104.1F	6	11
8000.74505	40	24	821.1.052.1A	33	37	829.1.096.1A	29	12	850.1.003.1A	40	3	852.1.104.1G	6	11
8000.74505	40.1	24	821.1.054.1A	29	25	829.1.109.1A	28	1	850.1.003.1A	40.1	3	852.1.104.1H	6	11
8000.74507	35	20	821.1.068.1A	20	29	829.1.124.2A	10	36	850.4.010.1A	36	12	852.1.104.1I	6	11
8000.74507	40	23	821.1.068.1A	21	14	829.1.127.1A	30	12	850.4.012.1A	38	12	852.1.104.1J	6	11
8000.74507	40.1	23	821.1.070.1A	2	17	829.1.136.1A	35	36	850.4.037.1A	39	12	852.1.104.1K	6	11
8000.77936	23	11	821.1.089.1A	36	11	829.1.218.1B	23	20	850.4.038.1A	40.1	29	852.1.104.1L	6	11
801.1.023.2A	16	28	821.1.091.1A	33	7	829.1.227.1B	27	22	850.4.039.1A	40	38	852.1.104.1M	6	11
801.1.024.2A	16	4	821.1.096.1A	33	10	829.1.228.1B	26	9	850.4.039.1A	40.1	7	852.1.104.1N	6	11
802.1.005.1A	38	9	824.1.043.1A	21	1	829.1.230.1B	30	8	851.1.001.1B	4	9	852.1.105.1AB	3	26
806.1.014.0A	35	12	824.1.044.1A	20	1	829.1.231.1A	35	5	851.4.001.1A	4	5	852.1.105.1AD	3	26
806.1.014.1AA	35	12	824.1.045.1A	21	12	829.1.233.1A	22	5	852.1.001.1A	32	16	852.1.105.1AG	3	26
806.1.014.1AB	35	12	824.1.046.1A	20	23	829.1.235.1A	15	31	852.1.003.1A	32	16	852.1.108.1AH	3	1
80A0.53548	20	18	825.1.018.1A	33	18	829.1.287.1A	30	19	852.1.005.1A	2	14	852.1.108.1AL	3	1
80B0.55703	28	13	826.1.009.1A	2	33	829.2.232.1A	36	19	852.1.008.1A	5	10	852.1.108.1AN	3	1
80C0.05893	38	22	826.1.011.1A	3	13	829.2.234.1A	30	4	852.1.053.1A	2	2	852.1.111.1A	2	5
814.1.091.2A	41	15	827.1.087.1B	33	22	830.1.091.2A	16	19	852.1.053.1A	20	13	852.1.120.1A	9	32
815.1.022.1A	10	42	827.1.115.1A	20	24	830.1.144.1A	11	20	852.1.054.1A	33	2	852.1.124.1A	13	25

**INDEX**

CODE No.	Drwg.	POS. N.	CODE No.	Drwg.	POS. N.	CODE No.	Drwg.	POS. N.	CODE No.	Drwg.	POS. N.	CODE No.	Drwg.	POS. N.
852.5.001.1A	35	17	875.1.053.1A	28	12	886.5.015.1A	28	15	88765.1058	1	23	88765.1126S	1.2	22
852.5.002.1A	40	29	876.1.047.3A	31	19	88700.5644	1	14	88765.1068	1.1	1	88765.1126T	1.2	23
852.5.002.1A	40.1	16	876.1.071.1A	31	23	88700.5665	1	11	88765.1069	1.1	1	88765.1126U	1.2	20
852.5.003.1A	31	11	877.1.066.1A	33	16	88700.5749	1	22	88765.1070	1.1	1	88765.1126V	1.2	8
852.5.005.1A	9	18	877.1.067.1A	26	15	88713.0120	1	2	88765.1071	1.1	1	88765.1126Z	1.2	1
856.1.001.1A	3	6	877.1.069.1A	27	13	88713.0123	1	9	88765.1072	1.1	1	893.1.005.1A	5	15
856.1.002.1A	13	4	877.2.045.1A	31	18	88713.0137	1	6	88765.1073	1.2	21	893.4.005.1A	26	11
856.1.002.1A	8	16	881.1.010.1C	12	18	88713.0143	1	7	88765.1074	1.2	21	893.4.005.1A	33	19
856.1.025.1A	10	7	881.1.012.1A	2	32	88713.0144	1	12	88765.1075	1.2	21	894.2.009.1A	9	19
856.1.031.1A	3	16	881.1.030.1A	5	25	88713.0146	1	1	88765.1076	1.2	21	895.4.001.2A	38	5
856.1.040.1A	40	35	881.2.001.1A	4	19	88713.0262	1	13	88765.1077	1.2	21	8A00.69056	24	5
856.1.042.1A	40	5	882.1.003.1A	8	14	88713.0957	1.1	7	88765.1086	1	26	8A00.69056	25	13
856.1.042.1A	40.1	5	882.1.006.1A	2	16	88713.1010	1	19	88765.1126	1.2	6	8BB0.61070	39	15
856.4.002.1A	40	36	884.1.005.1A	25	26	88713.1072	1.1	6	88765.1126A	1.2	4	8BB0.61070	40.1	27
856.4.002.1A	40.1	8	884.4.001.1A	34	14	88713.1091	1	25	88765.1126B	1.2	12	913.7.066.1D	36	4
863.1.002.1A	12	14	884.4.007.1A	32	12	88713.1096	1.1	8	88765.1126C	1.2	11	914.7.023.1A	1.2	2
866.1.030.1A	36	9	884.4.011.1A	7	10	88713.1139	1	4	88765.1126D	1.2	14	914.7.023.1B	1.2	2
866.1.035.1A	19	5	884.4.012.1A	37	7	88713.1215	1	10	88765.1126E	1.2	9	914.7.023.1C	1.2	2
866.1.036.1A	35	11	884.5.003.1A	20	17	88713.1332	1	21	88765.1126F	1.2	13	914.7.023.1D	1.2	2
866.1.038.1A	19	15	884.5.003.1A	21	4	88713.1344	1.1	3	88765.1126G	1.2	17	914.7.023.1E	1.2	2
872.1.011.1A	24	21	886.4.003.1A	11	23	88713.1419	1	5	88765.1126H	1.2	16	930.1.005.1A	25	19
872.1.015.1A	24	15	886.4.011.1A	38	8	88713.1502	1	24	88765.1126L	1.2	19	930.4.024.1A	24	34
872.1.019.1A	32	11	886.4.021.1A	16	24	88713.1515	1.1	5	88765.1126M	1.2	18	93783.0812	3	30
872.1.026.1A	19	4	886.4.022.1A	16	23	88765.0968	1	20	88765.1126N	1.2	7	93783.1524	11	11
873.1.035.1A	24	26	886.4.028.1A	15	28	88765.1000	1	18	88765.1126P	1.2	10	93784.2030	5	9
873.1.039.1A	9	36	886.4.035.1A	11	8	88765.1005	1	18	88765.1126Q	1.2	5	93785.1830	10	16
875.1.052.1A	28	11	886.4.037.1A	9	37	88765.1006	1	18	88765.1126R	1.2	3	93823.0128	32	4

**INDEX**

CODE No.	Drwg.	POS. N.	CODE No.	Drwg.	POS. N.	CODE No.	Drwg.	POS. N.	CODE No.	Drwg.	POS. N.	CODE No.	Drwg.	POS. N.
93823.0128	4	32												
93823.2018	4	30												
93823.2082	5	14												
93823.3156	10	34												
93827.0114	10	28												
93827.0114	5	12												
93827.0114	9	22												
94247.0014	10	5												
94247.0014	11	15												
94247.0014	5	19												
98112.0002	1	8												

*Spare parts catalogue SUPERSPORT 900 i.e. U.S.A.*

*DUCATISS*



<i>DUCATIMOTOR</i>	●	<i>SS 900 i.e.</i>	<i>M.Y. '01</i>	<i>U.S.A.</i>
<i>Spare Sparts Department</i>		<i>P.N. 91510611D</i>	<i>Maggio - May '00</i>	<i>Edizione - Edition 00</i>
<i>DUCATIMOTOR</i>	●	<i>SS 900 i.e.</i>	<i>M.Y. '01</i>	<i>U.S.A.</i>
<i>Spare Sparts Department</i>		<i>P.N. 91510611D</i>	<i>Maggio - May '00</i>	<i>Edizione - Edition 00</i>
<i>DUCATIMOTOR</i>	●	<i>SS 900 i.e.</i>	<i>M.Y. '01</i>	<i>U.S.A.</i>
<i>Spare Sparts Department</i>		<i>P.N. 91510611D</i>	<i>Maggio - May '00</i>	<i>Edizione - Edition 00</i>
<i>DUCATIMOTOR</i>	●	<i>SS 900 i.e.</i>	<i>M.Y. '01</i>	<i>U.S.A.</i>
<i>Spare Sparts Department</i>		<i>P.N. 91510611D</i>	<i>Maggio - May '00</i>	<i>Edizione - Edition 00</i>